

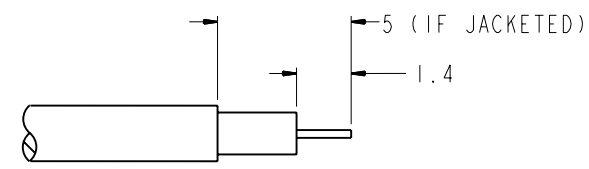
NOTES:

1. MATERIALS AND FINISHES:
  - BODY - BERYLLIUM COPPER, GOLD PLATED
  - CONTACT - BERYLLIUM COPPER, GOLD PLATED
  - INSULATORS - PTFE, NATURAL
2. ELECTRICAL:
  - A. IMPEDANCE: 50 OHM
  - B. FREQUENCY RANGE: DC - 40 GHz
  - C. VSWR: 1.15:1 MAX AT DC TO 10 GHz  
1.25:1 MAX AT 10 TO 26.5 GHz  
1.35:1 MAX AT 26.5 TO 40 GHz.
3. MECHANICAL:
  - A. DURABILITY: 100 CYCLES MIN.
  - B. TEMPERATURE RANGE: 65° C TO 165° C
4. PACKAGING:
  - A. QUANTITY: SINGLE PACK
  - B. MARKING: BAG TO BE MARKED  
"AMPHENOL RF, 925-118C-51S, AND DATE CODE"
5. SHOWS CABLE ENTRY DIMENSIONS
6. ASSEMBLY INSTRUCTIONS:
  - A. STRIP CABLE TO CABLE STRIPPING DIMENSIONS SHOWN
  - B. SLIDE INSULATOR ON TO CABLE
  - C. SOLDER THE CONTACT ONTO THE CABLE, BOTTOMING ON INSULATOR
  - D. INSERT CABLE INTO CONNECTOR UNTIL IT BOTTOMS, THIS WILL SET THE INTERFACE DIMENSION SHOWN
  - E. SOLDER CABLE TO THE ID OF THE BODY, BEST PRACTICE IS TO HAVE A FIXTURE HOLD THE CONTACT AT THE INTERFACE DIMENSION DURING SOLDERING

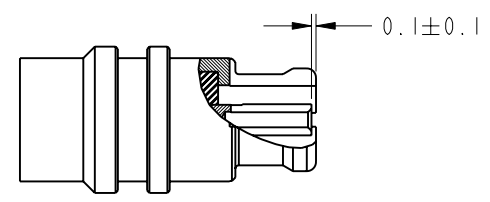
THIRD ANGLE PROJ.

REVISIONS

REV	DESCRIPTION	DATE	ECO	APPR
A	RELEASE TO MFG.	29-Jun-16	00941	MM

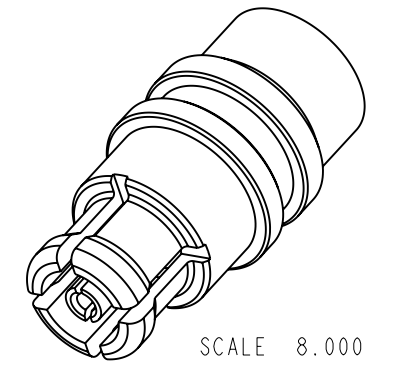


RECOMMENDED STRIPPING LENGTH

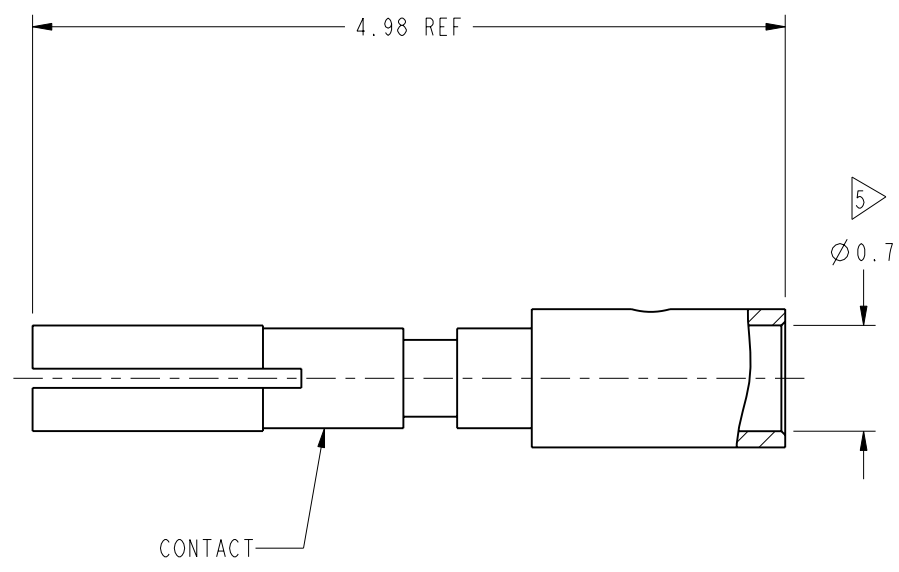
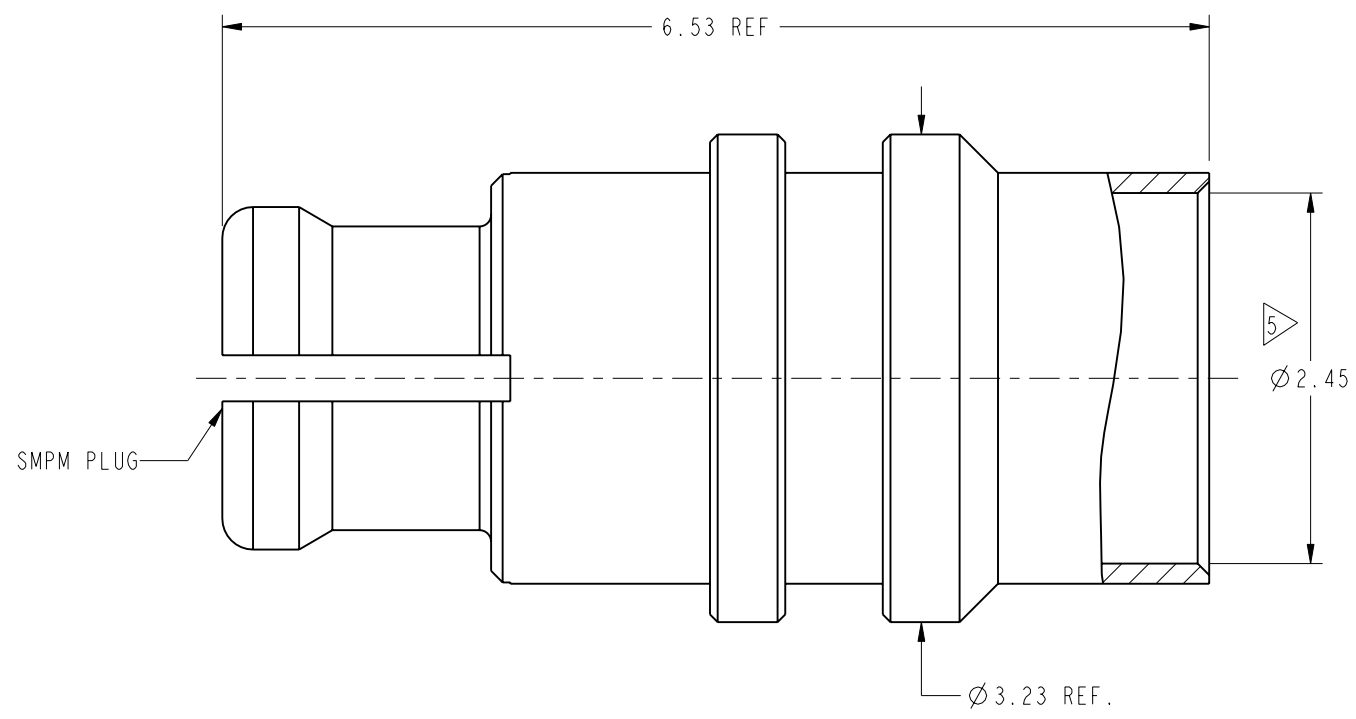


AFTER ASSEMBLY INTERFACE DIMENSION

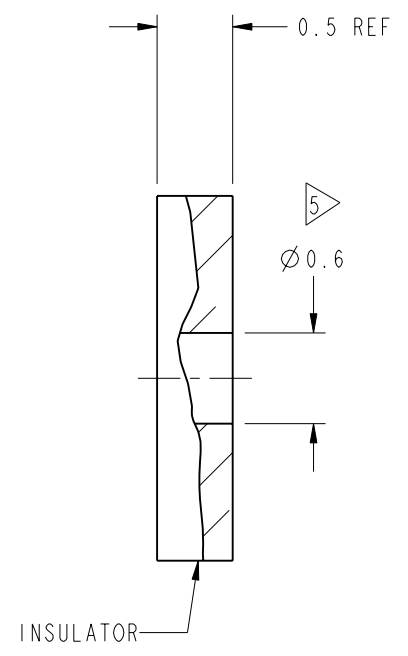
SECTION C-C  
SCALE 6.000



SCALE 8.000



SECTION A-A



INSULATOR

**CUSTOMER OUTLINE DRAWING**

ALL OTHER SHEETS ARE FOR INTERNAL USE ONLY

UNLESS OTHERWISE SPECIFIED, DIMENSIONS ARE IN METRIC AND TOLERANCES ARE: <0.5mm ±0.05mm    0.5 - 6mm ±0.1mm    6 - 30mm ±0.2mm    30 - 120mm ±0.3mm    ANGLES ±1°	MATERIAL SEE NOTES	DRAWN R. MAO	DATE 29-Jun-16	TITLE SMPM, F .086 CABLE	Amphenol RF www.amphenolrf.com
		ENGINEER E. WANKOFF	DATE 2/11/13		
NOTICE - These drawings, specifications, or other data (1) are, and remain the property of Amphenol corp. (2) must be returned upon request; and (3) are confidential and not to be disclosed to any person other than those to whom they are given by Amphenol Corp. the furnishing of these drawings, specifications, or other data by Amphenol Corp., or to any other person to anyone for any purpose is not to be regarded by implication or otherwise in any manner licensing, granting rights to permitting such holder or any other person to manufacture, use or sell any product, process or design, patented or otherwise, that may in any way be related to or disclosed by said drawings, specifications, or other data.	REFERENCE EAR #4605 AND CONFIGURATION LEVEL: In Work	APPROVED S. HSIEH	DATE 29-Jun-16	SCALE: 20.0:1.0   SHEET 2 OF 2	DRAWING NO. 925-118C-51S
	FINISH	CAD FILE	DWG SIZE B	REV A	ITEM NO. 925-118C-51S
					PART NO. 925-118C-51S