

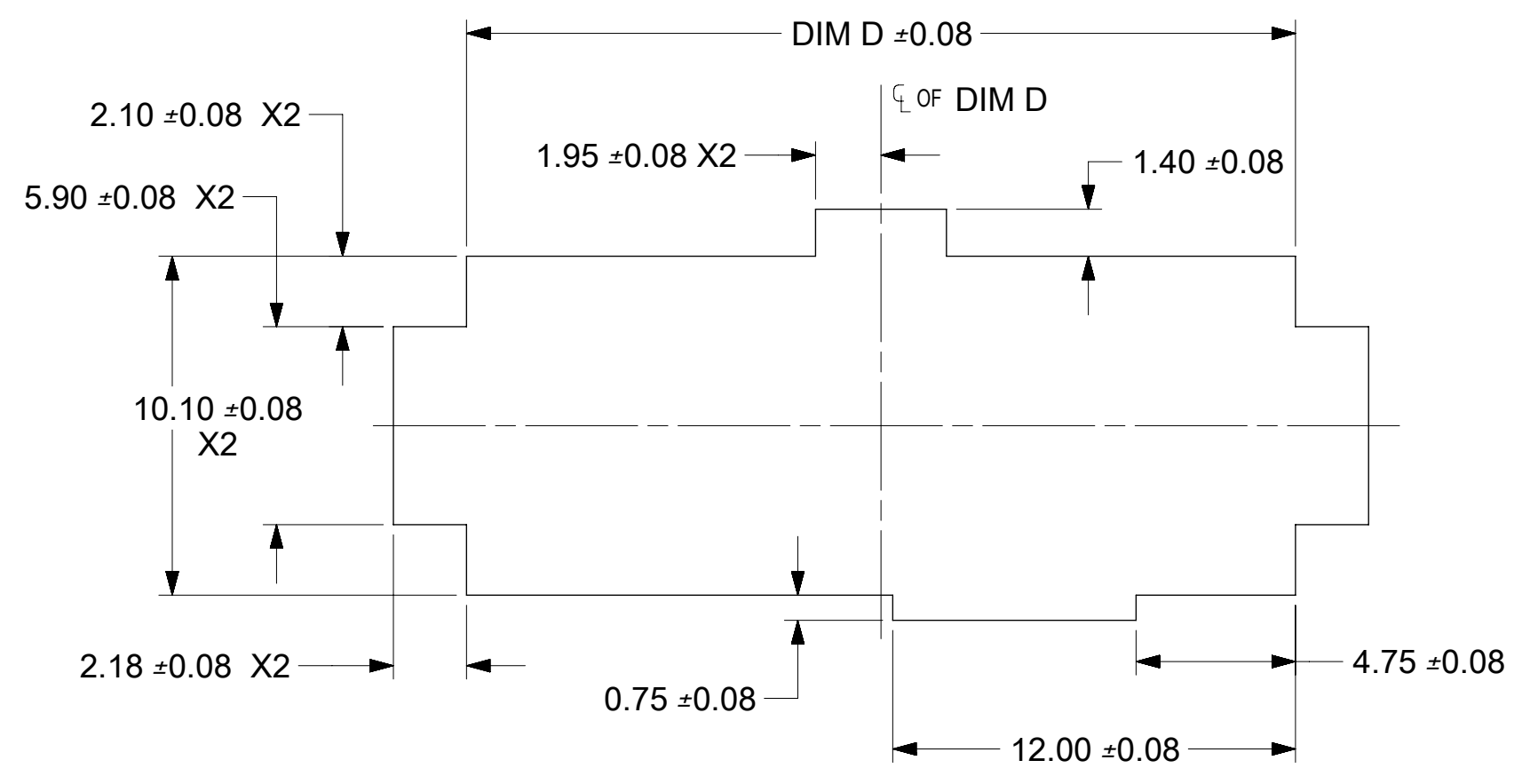
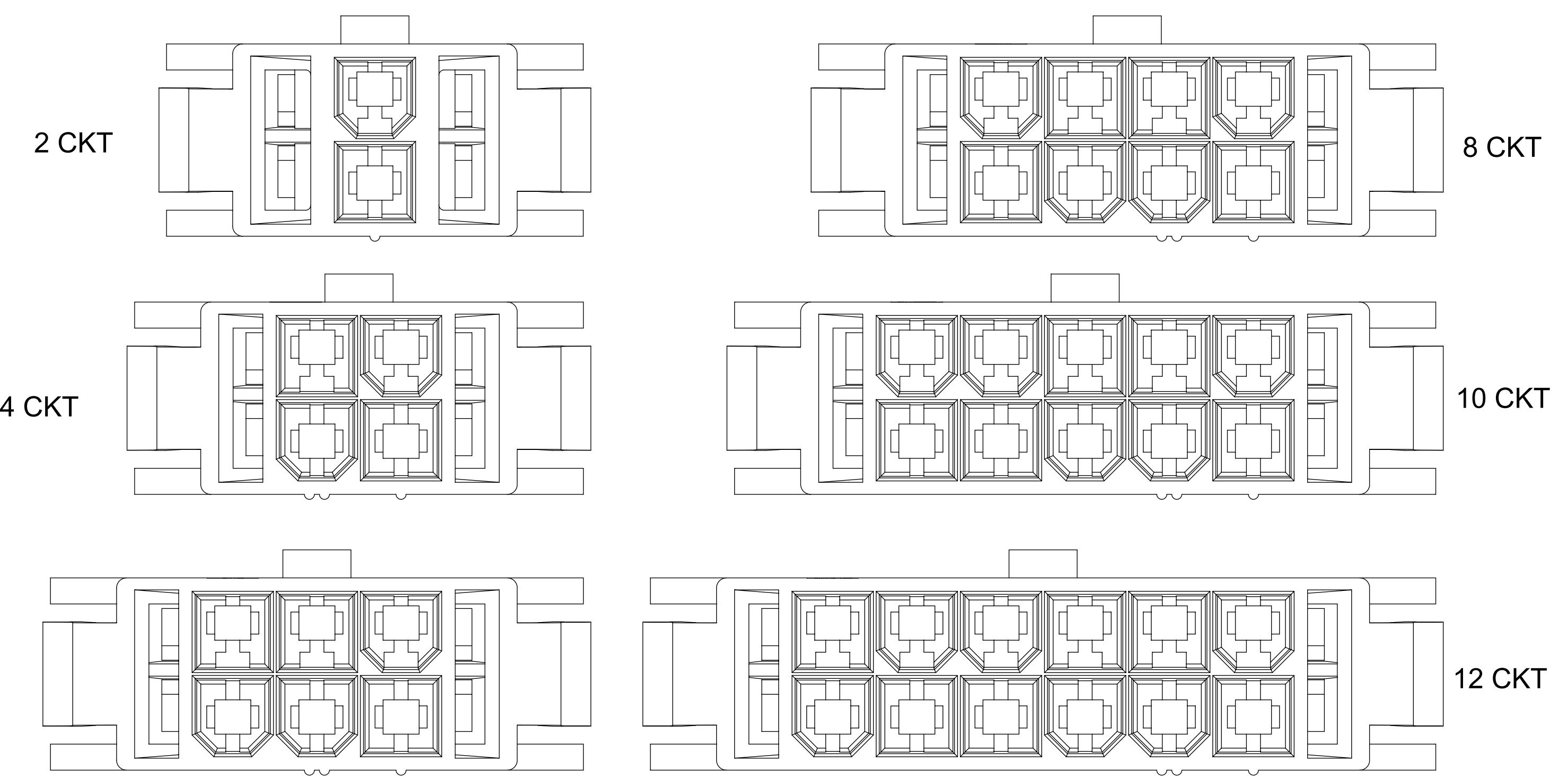
- NOTES:**
- MATERIAL:
'A' = NYLON V-0 LOW HALOGEN; COLOR: BLACK
'B' = NYLON V-2 GLOW WIRE CAPABLE; COLOR: BLACK
'C' = NYLON V-2; COLOR: BLACK
 - FINISH: NONE
 - PRODUCT SPECIFICATION: PS-172718-0000 and 2029880001-PS
APPLICATION SPECIFICATION: AS-172718-0000
 - PACKAGING SPECIFICATION: BULK
PK-172767-0000
REFER TO AS-45499-001 FOR MOISTURIZING NYLON CONNECTOR PARTS.
 - THIS PART TO BE USED WITH MALE TERMINAL SERIES 172765, 203070 AND TPA SERIES 172709.
 - THIS PART MATES WITH SERIES 5557 AND 172708.
 - THIS PART CONFORMS TO CLASS 'B' REQUIREMENTS OF COSMETIC SPECIFICATION PS-45499-002.
 - THIS PRODUCT MUST BE USED WITH THE TPA INSTALLED.
 - SEE DRAWING SD-172709-0000 AND 1727090001-SD FOR OTHER TPA INFORMATION.
 - SEE DRAWINGS SD-172765-0000 and 2030700001-PSD FOR OTHER CRIMP TERMINAL INFORMATION.

THIS DRAWING CONTAINS INFORMATION THAT IS PROPRIETARY TO MOLEX ELECTRONIC TECHNOLOGIES, LLC AND SHOULD NOT BE USED WITHOUT WRITTEN PERMISSION									
DIMENSION UNITS		SCALE		CURRENT REV DESC: PK-5557-003 REMOVED					
mm		5:1		<p>molex</p> <p>HOUSING, DUAL ROW PLUG PANEL MOUNT MINI-FIT TPA2</p> <p>PRODUCT CUSTOMER DRAWING</p> <p>DOCUMENT NUMBER: SD-172767-0000 DOC TYPE: PSD DOC PART: 000 REVISION: E2</p> <p>MATERIAL NUMBER: SEE TABLE CUSTOMER: GENERAL MARKET SHEET NUMBER: 1 OF 4</p>					
GENERAL TOLERANCES (UNLESS SPECIFIED)									
ANGULAR TOL		± °							
4 PLACES		±							
3 PLACES		±							
2 PLACES		± 0.13		EC NO: 178886		DRWN: SGANGADHARDO 2018/07/20		CHK'D: SGANGADHARDO 2018/07/20	
1 PLACE		± 0.2		APPR: ISHWARG 2018/07/23		INITIAL REVISION:		DRWN: TGREGORI 2015/02/16	
0 PLACES		±		APPR: RHODGE 2015/02/26		DRAWING SERIES		C-SIZE 172767	
DRAFT WHERE APPLICABLE MUST REMAIN WITHIN DIMENSIONS				THIRD ANGLE PROJECTION		DRAWING		SERIES	

PART NUMBER	CKTS	DIM C	DIM D	MATERIAL
172767-0002	2	14.20	14.70	A
172767-0102				B
172767-0202				C
172767-0004	4	15.80	16.30	A
172767-0104				B
172767-0204				C
172767-0006	6	20.00	20.50	A
172767-0106				B
172767-0206				C
172767-0008	8	24.20	24.70	A
172767-0108				B
172767-0208				C
172767-0010	10	28.40	28.90	A
172767-0110				B
172767-0210				C
172767-0012	12	32.60	33.10	A
172767-0112				B
172767-0212				C

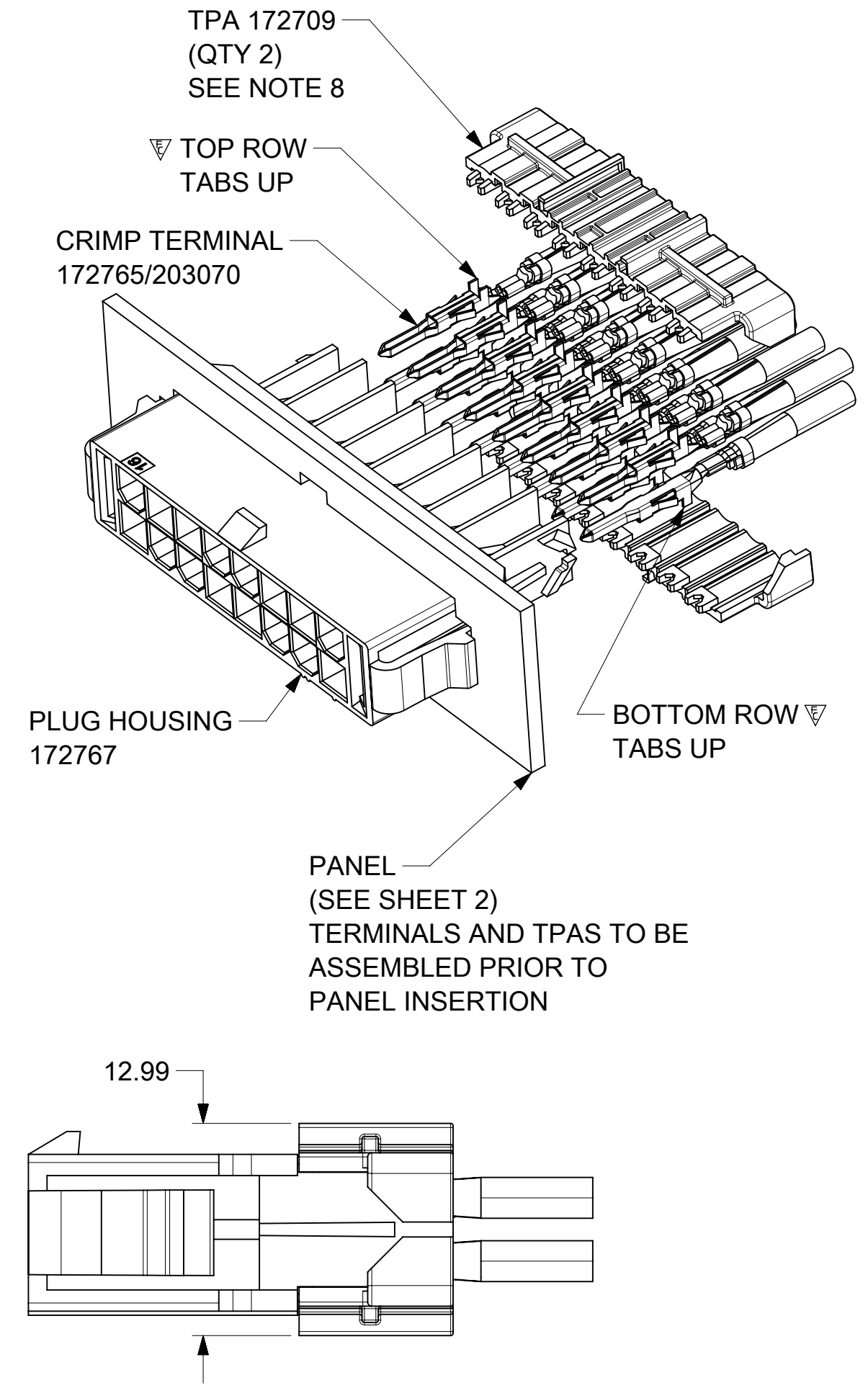
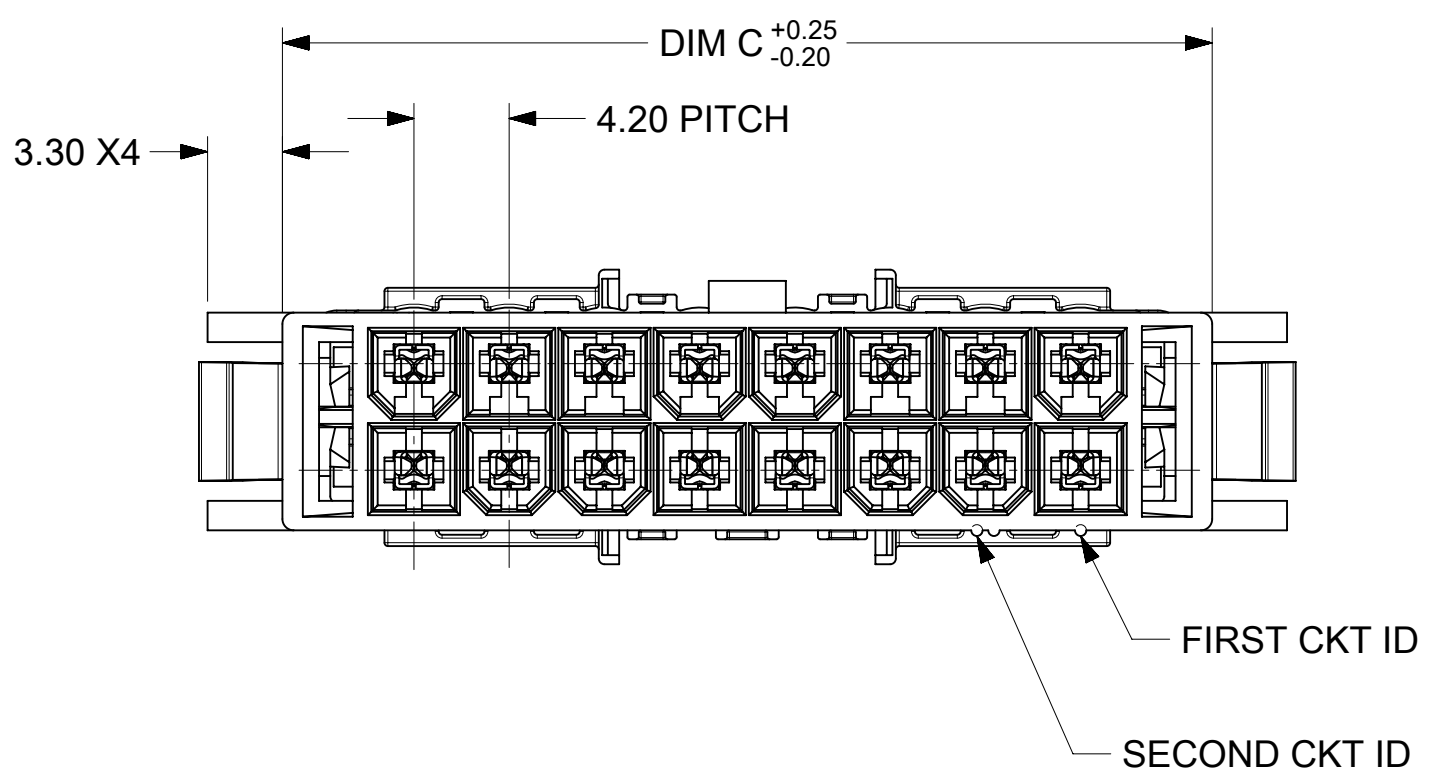
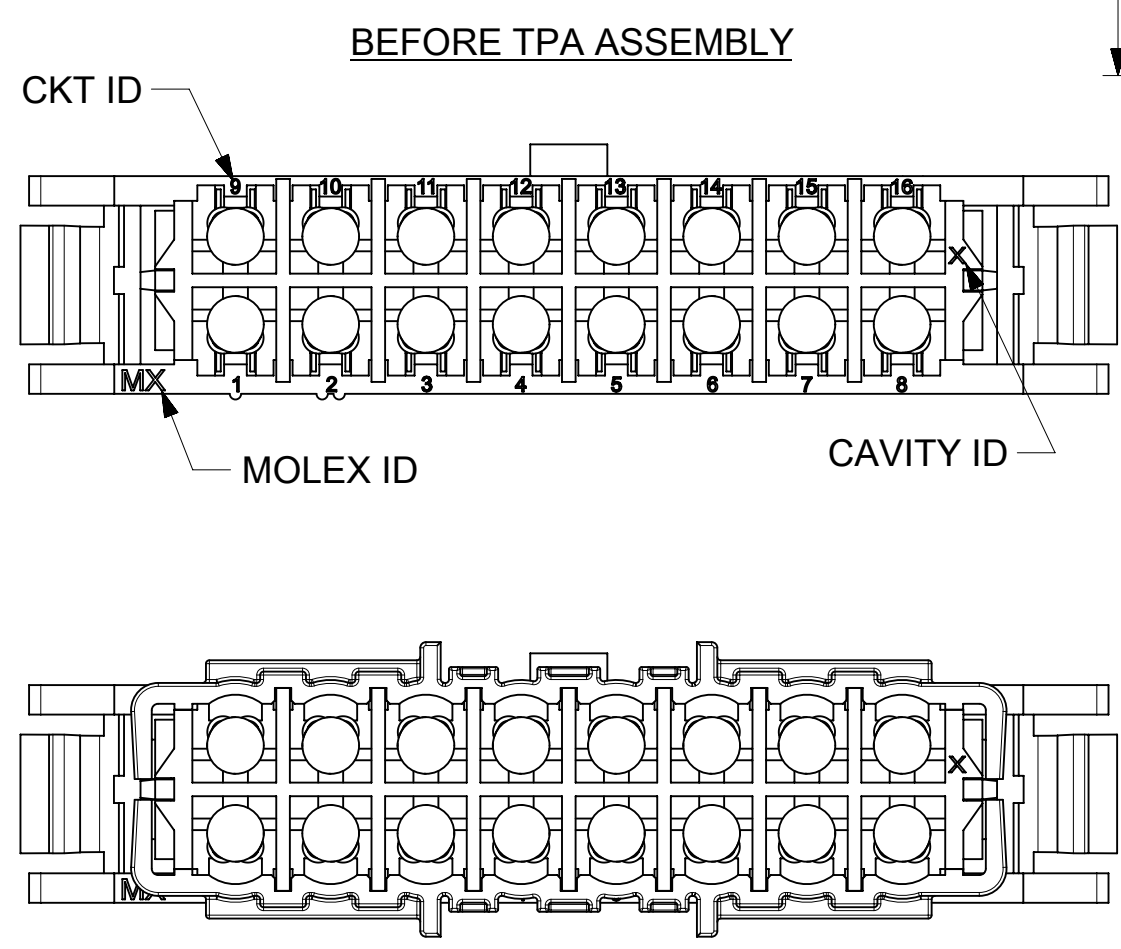
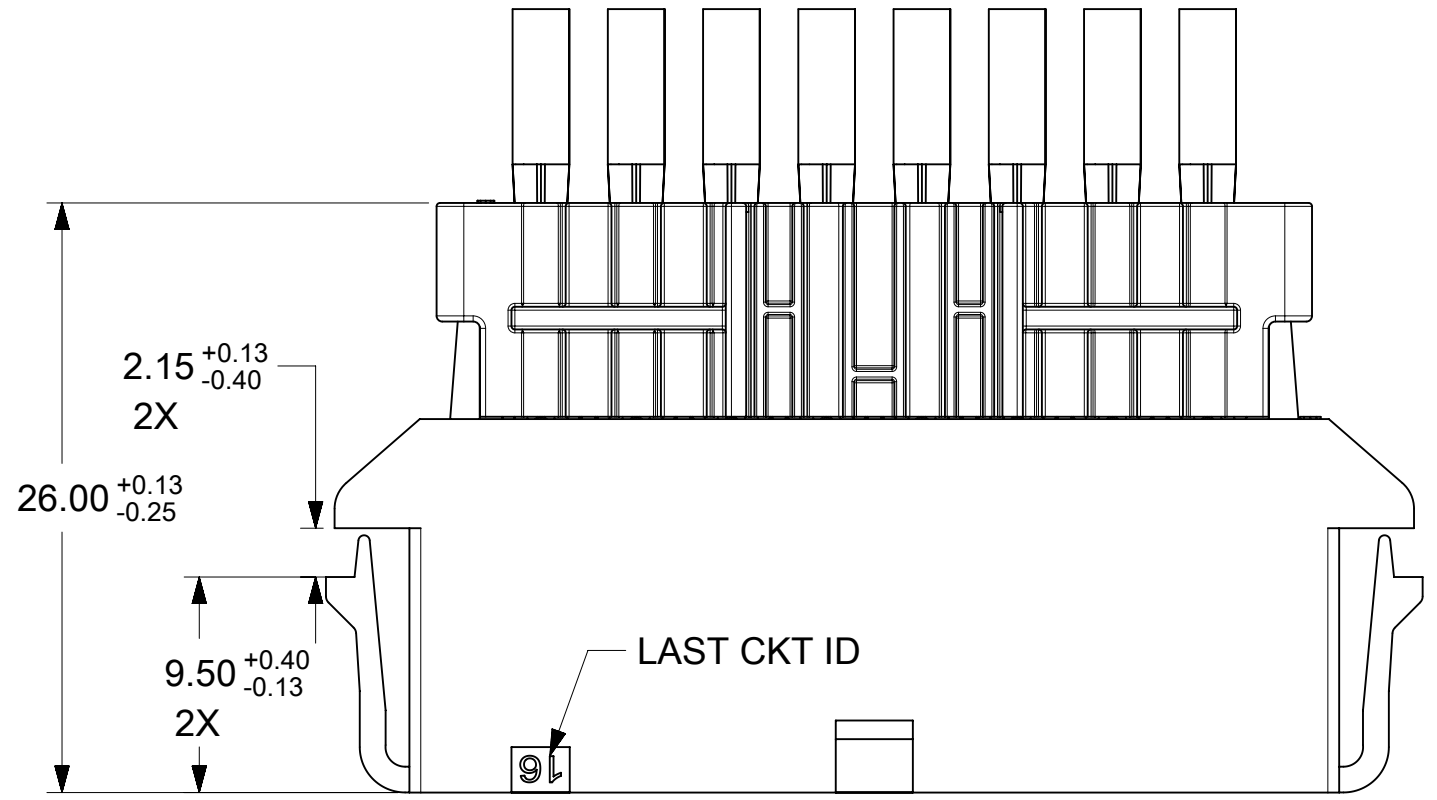
POLARIZATION DETAIL

SHOWN WITHOUT TPA OR TERMINAL FOR CLARITY



RECOMMENDED PANEL CUT-OUT
(VIEW FROM MATING SIDE)
MAX PANEL THICKNESS 1.60

THIS DRAWING CONTAINS INFORMATION THAT IS PROPRIETARY TO MOLEX ELECTRONIC TECHNOLOGIES, LLC AND SHOULD NOT BE USED WITHOUT WRITTEN PERMISSION									
DIMENSION UNITS	SCALE	CURRENT REV DESC: PK-5557-003 REMOVED							
mm	5:1	molex							
GENERAL TOLERANCES (UNLESS SPECIFIED)		HOUSING, DUAL ROW PLUG PANEL MOUNT MINI-FIT TPA2							
ANGULAR TOL	± °	EC NO: 178886							
4 PLACES	±	DRWN: SGANGADHARDO 2018/07/20							
3 PLACES	±	CHK'D: SGANGADHARDO 2018/07/20							
2 PLACES	± 0.13	APPR: ISHWARG 2018/07/23							
1 PLACE	± 0.2	INITIAL REVISION:							
0 PLACES	±	DRWN: TGREGORI 2015/02/16							
DRAFT WHERE APPLICABLE MUST REMAIN WITHIN DIMENSIONS		THIRD ANGLE PROJECTION		DRAWING		SERIES		MATERIAL NUMBER	
				C-SIZE		172767		SEE TABLE	
DOCUMENT STATUS		RELEASE DATE		CUSTOMER		DOC TYPE		DOC PART	
P1		2018/07/26 06:10:10		GENERAL MARKET		PSD		000	
SHEET NUMBER		SHEET NUMBER		SHEET NUMBER		SHEET NUMBER		SHEET NUMBER	
2 OF 4		2 OF 4		2 OF 4		2 OF 4		2 OF 4	

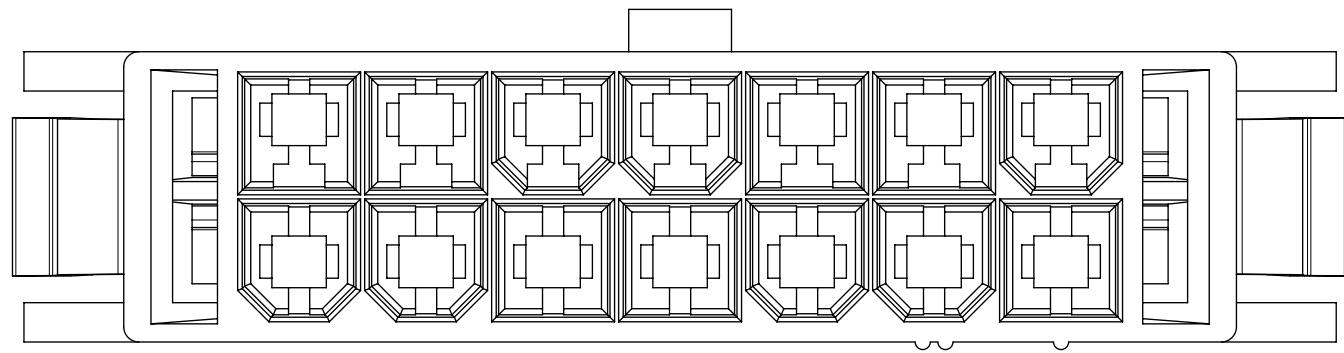


- NOTES:**
- MATERIAL:**
'A' = NYLON V-0 LOW HALOGEN; COLOR: BLACK
'B' = NYLON V-2 GLOW WIRE CAPABLE; COLOR: BLACK
 - FINISH:** NONE
 - PRODUCT SPECIFICATION:** PS-172718-0000 and 2029880001-PS
APPLICATION SPECIFICATION: AS-172718-0000
 - PACKAGING SPECIFICATION:** BULK
1727670001-PK
REFER TO AS-45499-001 FOR MOISTURIZING NYLON CONNECTOR PARTS.
 - THIS PART TO BE USED WITH MALE TERMINAL SERIES 172765, 203070 AND TPA SERIES 172709.
 - THIS PART MATES WITH SERIES 5557 AND 172708.
 - THIS PART CONFORMS TO CLASS 'B' REQUIREMENTS OF COSMETIC SPECIFICATION PS-45499-002.
 - THIS PRODUCT MUST BE USED WITH THE TPA INSTALLED.
 - SEE DRAWING 1727090001-SD FOR OTHER TPA INFORMATION.
 - SEE DRAWINGS SD-172765-0000 and 2030700001-PSD FOR OTHER CRIMP TERMINAL INFORMATION.

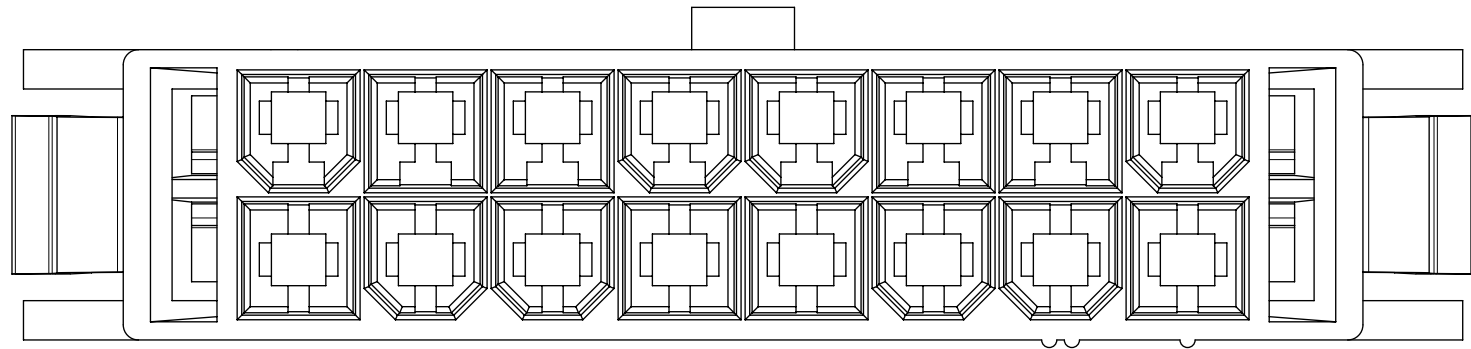
THIS DRAWING CONTAINS INFORMATION THAT IS PROPRIETARY TO MOLEX ELECTRONIC TECHNOLOGIES, LLC AND SHOULD NOT BE USED WITHOUT WRITTEN PERMISSION									
DIMENSION UNITS		SCALE		CURRENT REV DESC: PK-5557-003 REMOVED					
mm		5:1		<p>molex</p> <p>HOUSING, DUAL ROW PLUG PANEL MOUNT MINI-FIT TPA2</p> <p>PRODUCT CUSTOMER DRAWING</p> <p>DOCUMENT NUMBER: SD-172767-0000 DOC TYPE: PSD DOC PART: 000 REVISION: E2</p> <p>MATERIAL NUMBER: SEE TABLE CUSTOMER: GENERAL MARKET SHEET NUMBER: 3 OF 4</p>					
GENERAL TOLERANCES (UNLESS SPECIFIED)									
ANGULAR TOL ± °									
4 PLACES ±									
3 PLACES ±									
2 PLACES ± 0.13									
1 PLACE ± 0.2									
0 PLACES ±				INITIAL REVISION:					
DRAFT WHERE APPLICABLE MUST REMAIN WITHIN DIMENSIONS		THIRD ANGLE PROJECTION		DRAWING		SERIES		MATERIAL NUMBER	
		C-SIZE		172767		2015/02/16		2015/02/26	

POLARIZATION DETAIL

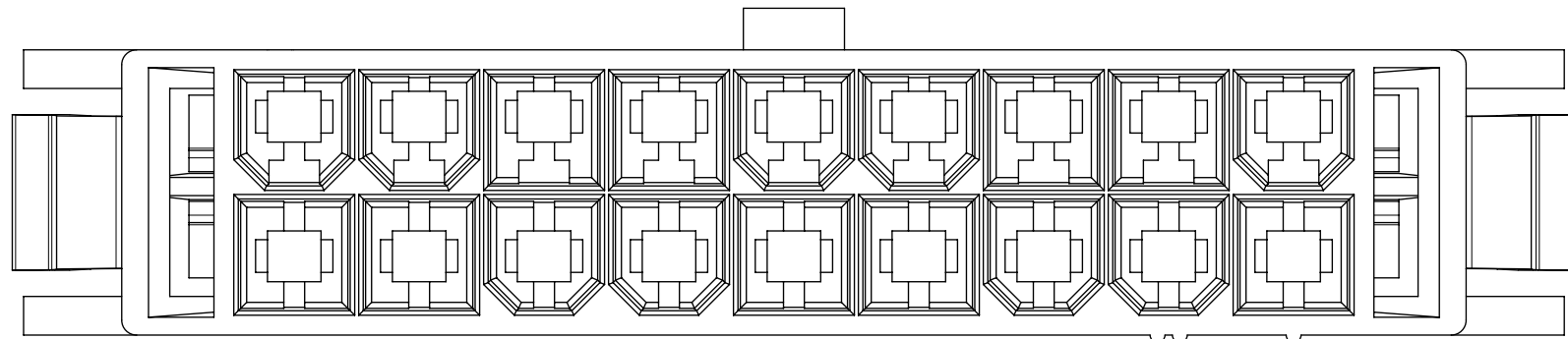
SHOWN WITHOUT TPA OR TERMINAL FOR CLARITY



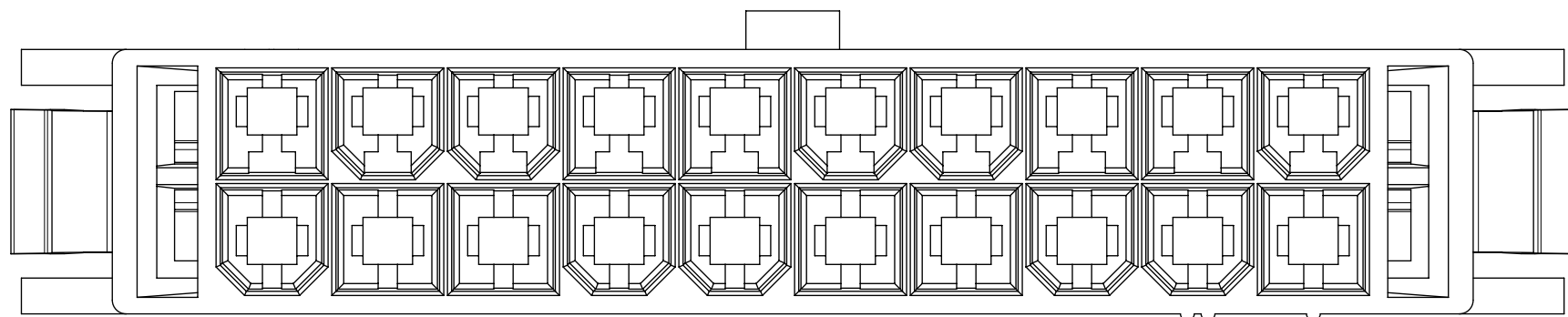
14 CKT



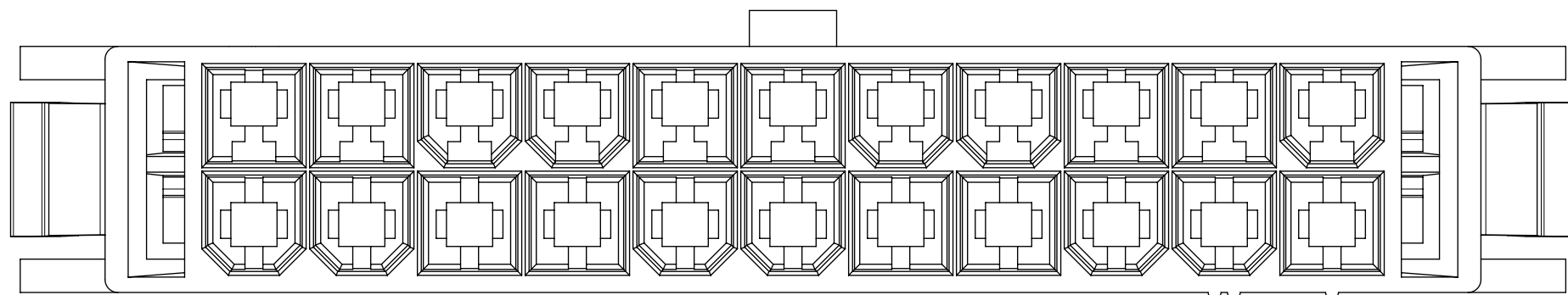
16 CKT



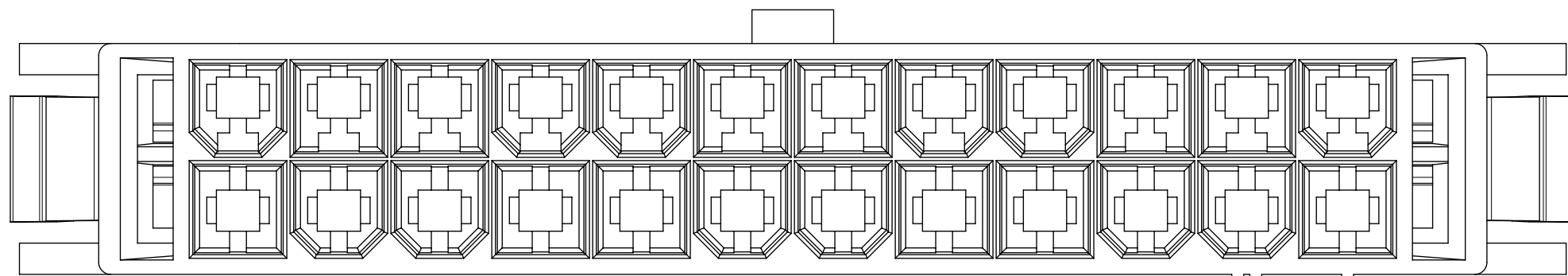
18 CKT



20 CKT




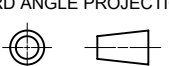
22 CKT



24 CKT

PART NUMBER	CKT	DIM C	DIM D	MATERIAL
1727670014	14	36.80	37.30	A
1727670114				B
1727670016	16	41.00	41.50	A
1727670116				B
1727670018	18	45.20	45.70	A
1727670118				B
1727670020	20	49.40	49.90	A
1727670120				B
1727670022	22	53.60	54.10	A
1727670122				B
1727670024	24	57.80	58.30	A
1727670124				B

THIS DRAWING CONTAINS INFORMATION THAT IS PROPRIETARY TO MOLEX ELECTRONIC TECHNOLOGIES, LLC AND SHOULD NOT BE USED WITHOUT WRITTEN PERMISSION

DIMENSION UNITS		SCALE		CURRENT REV DESC: PK-5557-003 REMOVED								
mm		5:1										
GENERAL TOLERANCES (UNLESS SPECIFIED)				EC NO: 178886				HOUSING, DUAL ROW PLUG PANEL MOUNT MINI-FIT TPA2				
ANGULAR TOL ± °				DRWN: SGANGADHARDO 2018/07/20								
4 PLACES ±				CHK'D: SGANGADHARDO 2018/07/20								
3 PLACES ±				APPR: ISHWARG 2018/07/23				PRODUCT CUSTOMER DRAWING				
2 PLACES ± 0.13				INITIAL REVISION:				DOCUMENT NUMBER		DOC TYPE	DOC PART	REVISION
1 PLACE ± 0.2				DRWN: TGREGORI 2015/02/16				SD-172767-0000		PSD	000	E2
0 PLACES ±				APPR: RHODGE 2015/02/26				MATERIAL NUMBER		CUSTOMER		SHEET NUMBER
DRAFT WHERE APPLICABLE MUST REMAIN WITHIN DIMENSIONS				THIRD ANGLE PROJECTION		DRAWING	SERIES	SEE TABLE		GENERAL MARKET 4 OF 4		
						C-SIZE	172767					

DOCUMENT STATUS	P1	RELEASE DATE	2018/07/26 06:10:10
-----------------	----	--------------	---------------------