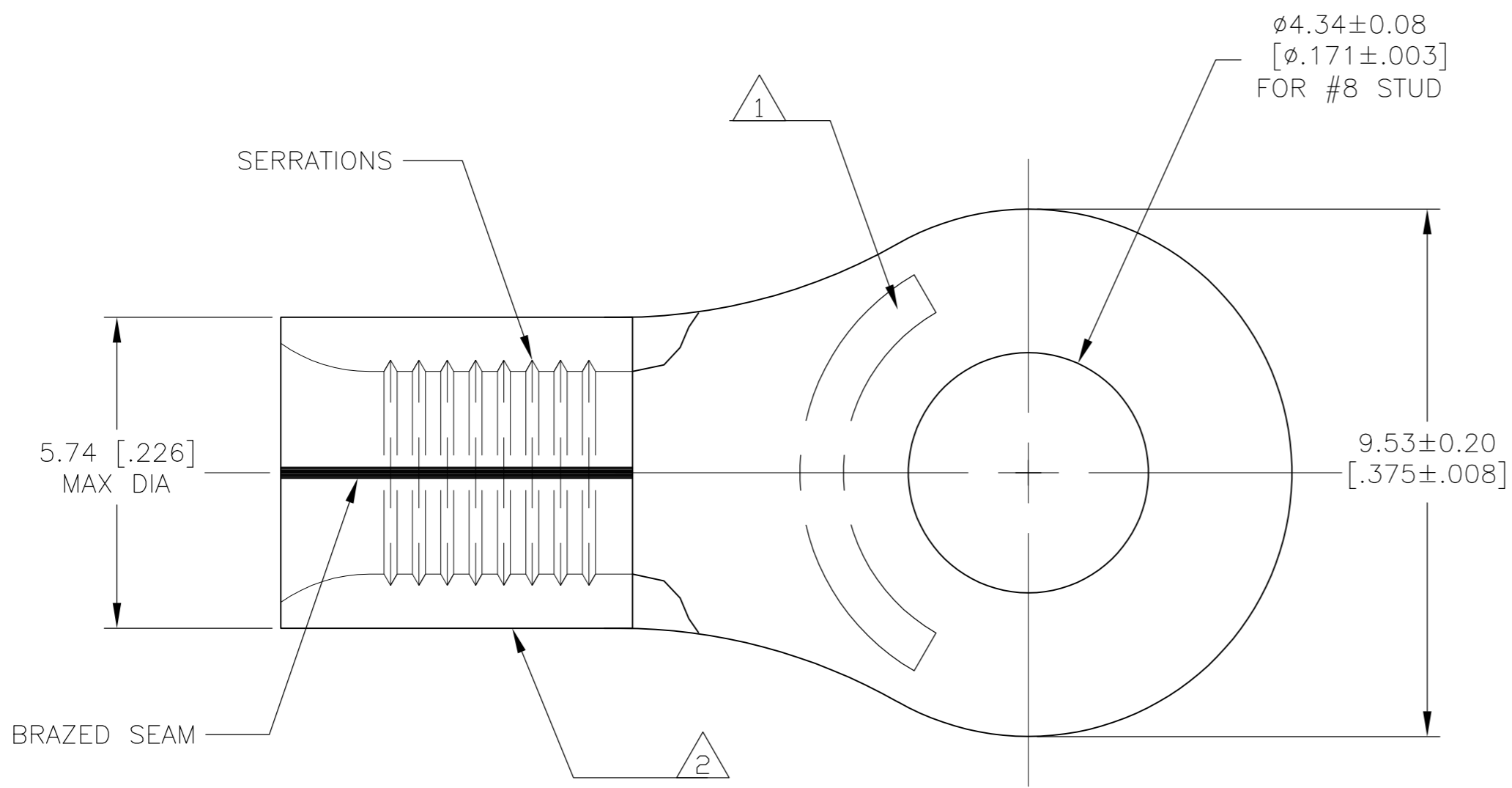


THIS DRAWING IS UNPUBLISHED. RELEASED FOR PUBLICATION
 © COPYRIGHT BY TYCO ELECTRONICS CORPORATION. ALL INTERNATIONAL RIGHTS RESERVED.

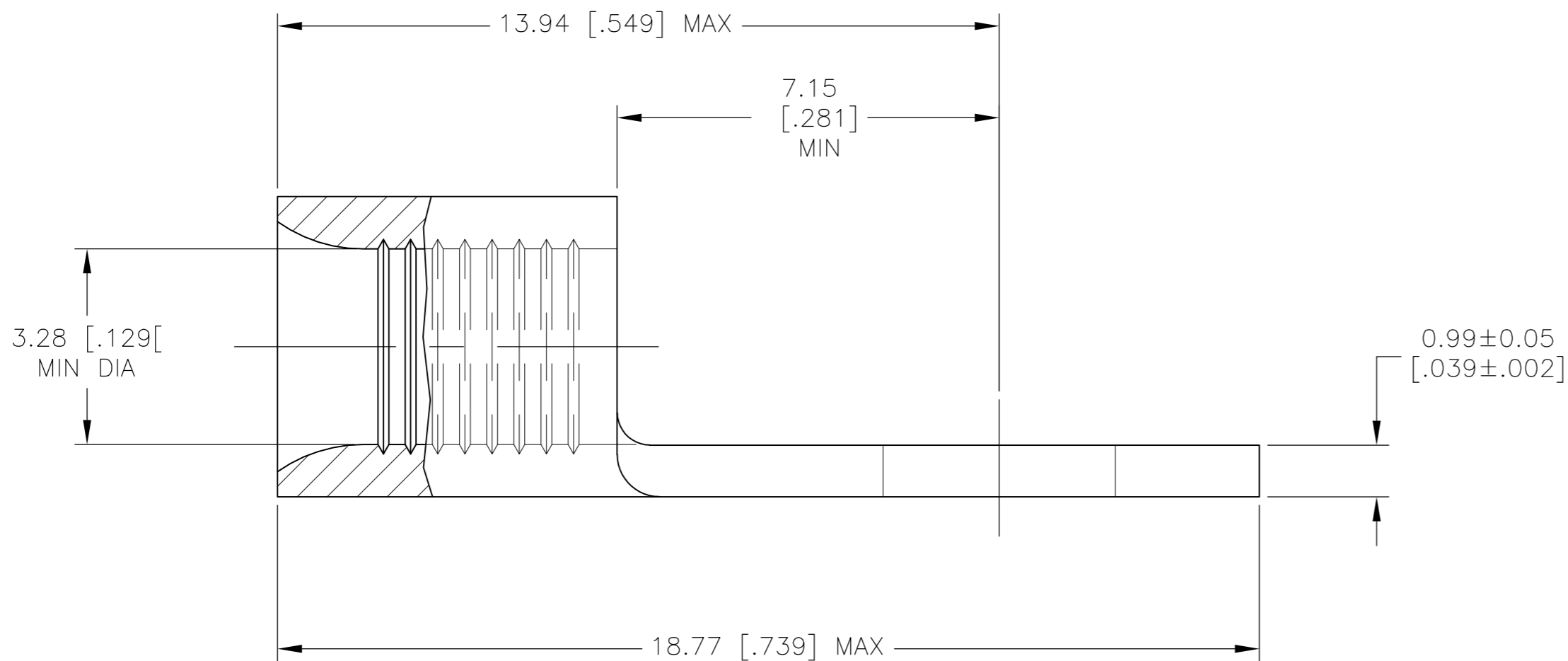
LOC	DIST	REVISIONS					
		P	LTR	DESCRIPTION	DATE	DWN	APVD
G	14		K1	REDRAWN PER ECR 09-006527	20MAR09	JR	TM



AMP
WIRE RANGE

12-10 AWG
SOLID OR STRANDED

- 1 STAMP AMP 12-10, APPROX AS SHOWN
- 2 WIRE BARREL COLOR CODED ORANGE TO DENOTE NICKEL MATERIAL
- 3 NICKEL PER ASTM B-162, ANNEALED
- 4 PRELIMINARY - NOT FOR PRODUCTION



50	LOOSE PIECE , BOX	8-323745-2
2500	323745 ON TAPE	4 2-323745-6
--	LOOSE PIECE	323745
QTY	PACKAGE TYPE	PART NO.

MAX RECOMMENDED OPERATING TEMPERATURE: 649°C MAX	THIS DRAWING IS A CONTROLLED DOCUMENT.		DWN JR RUTH 20MAR09	Tyco Electronics Corporation Harrisburg, PA 17105-3608
	VOLTAGE RATING: N/A	DIMENSIONS: MM [INCHES]	CHK T. MICHELUTTI 20MAR09	
CIRCULAR MIL AREA: 2.62-6.64mm² [5,180-13,100] SOLID OR STRANDED	TOLERANCES UNLESS OTHERWISE SPECIFIED: 0 PLC ± - 1 PLC ± - 2 PLC ± - 3 PLC ± - 4 PLC ± - ANGLES ± - FINISH -	MATERIAL - 3	PRODUCT SPEC -	APPLICATION SPEC -
			WEIGHT -	NAME T. MICHELUTTI
			CUSTOMER DRAWING	SIZE A2
				CAGE CODE 00779
				DRAWING NO C=323745
				RESTRICTED TO -
				SCALE 10:1
				SHEET 1 OF 1
				REV K1