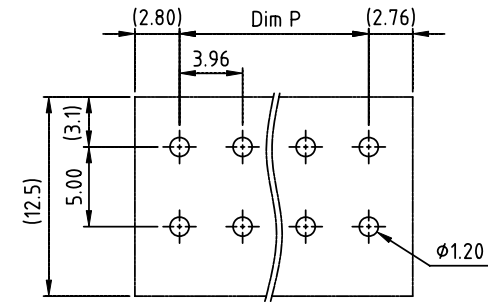
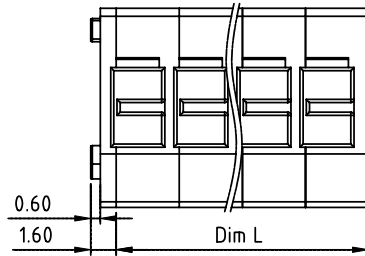
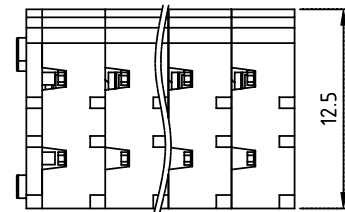
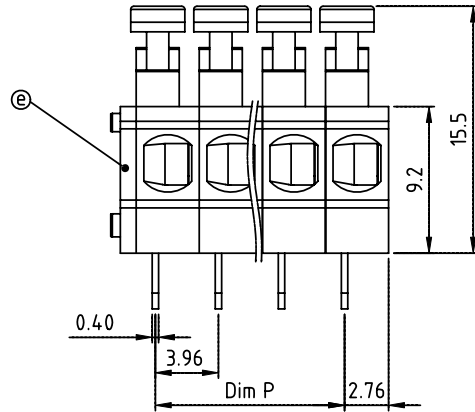
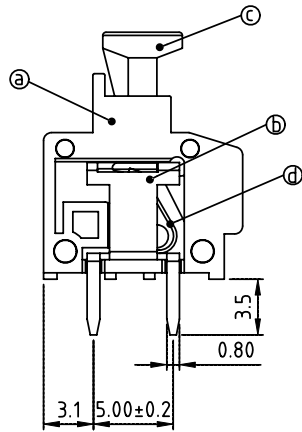


PRODUCT NUMBER	PITCH
HBxx41x000J0G	3.96 mm



RECOMMENDED P.C.B LAYOUT
TOP VIEW



Material:

- ItemⒶ Terminal housing: Thermoplastic (UL94V-0)
- ItemⒷ Solder pin: Brass Tin plated.
- ItemⒸ Lever: Thermoplastic (UL94V-0) Natural color
- ItemⒹ Spring clamp: Stainless steel
- ItemⒺ Terminal cover: Thermoplastic (UL94V-0)

Electrical:

- | |
|--|
| cULus |
| ●Voltage rating: 300V |
| ●Current rating: 10A |
| ●Wire range: |
| ●Solid wire(AWG): 16-20 |
| ●Stranded wire(AWG): 16-20 |
| ●Wire strip length: 9-10mm |
| ●Withstanding Voltage: 1.6KV |
| ●Operating temperature: -40°C to +115°C |
| ●Soldering temperature: 260°C ±5°C/5 Sec |

N=Number of poles
Dim L=N×3.96
Dim P=(N-1)×3.96

Poles	Tolerance
2-6p	±0.15
7-12p	±0.25
13-18p	±0.30
19-24p	±0.40

PART NO.: HB xx 41 x 0 00J0 G

End stackable 0	Color	RoHS compliant
No. of poles 2	Black (RAL9005)	(lead<4%)
02 2 poles 3	Red (RAL3001/D)	In copper Alloy
03 3 poles 4	Orange(RAL2011/P)	
...	Yellow(RAL1018/A)	
...	Green(RAL6018/T)	
24 24 poles 6	Blue (RAL5015/A)	
	8 Grey(RAL7004/P)	
	9 White(RAL1102)	
	C Multiple colors	

mat'l. code		surface ASME Y14.5	tolerance ASME Y14.5	projection	product family
ltr	ecn no	dr	date		TERMINAL BLOCK
tolerances unless otherwise specified				MM	title
angles	0	X.±0.5		TERMINAL BLOCK	
fil	1	X.X±0.3		SPRING CLAMP, 180D WIRE INLET, WITH LEVER	
X*1*	1	X.XX±0.1		scale	sheet 1 of 1 size
dr	EVIN ZHONG	052614			HBxx41x000J0G
enr	EVIN ZHONG	052614			A4
chr	HANKE FENG	052614			
appd	SHI JUN	052614			type
sheet index	revision sheet	A	1		CUSTOMER Drawing