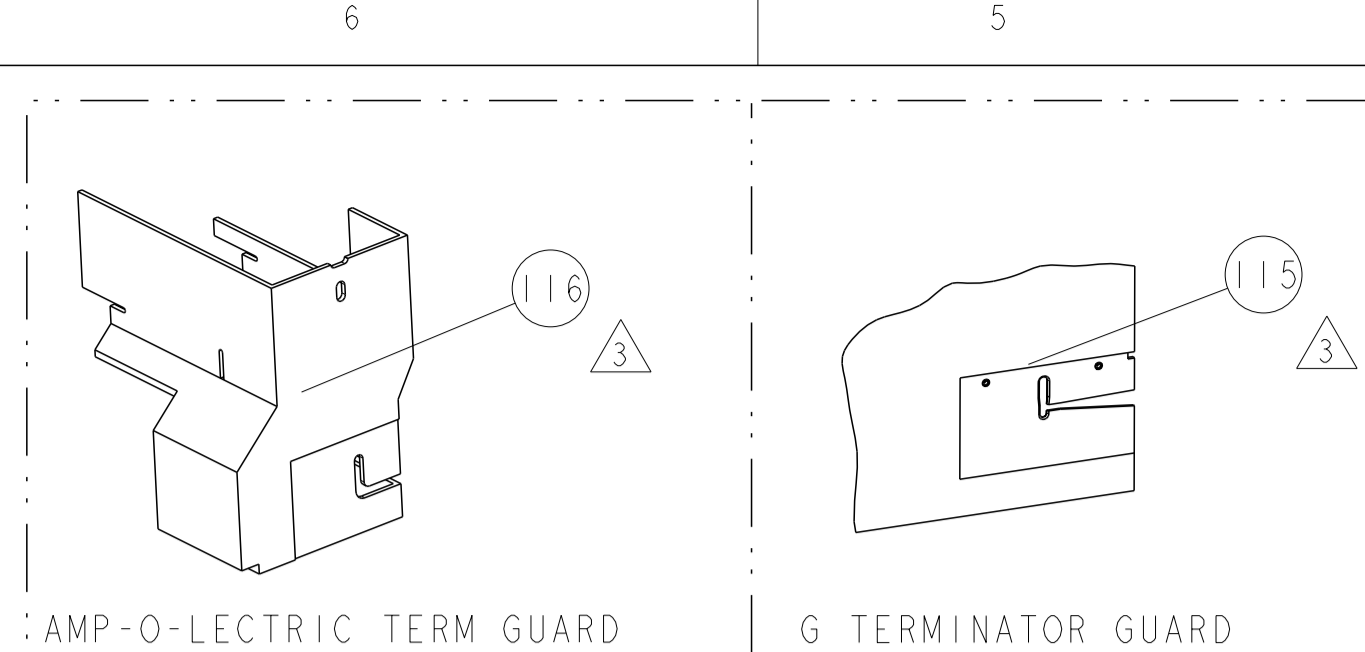


PART NUMBER	REV	FIRST USED	POWER UNIT	FEED TYPE	DESCRIPTION
1855451-1	C	122500-1	LEADMAKER	AIR FEED	CUTS CARRIER
1855451-2	C	565435-5	BENCH MODEL K	AIR FEED	CUTS CARRIER
1855451-3	C	354500-1	BENCH MODEL G	AIR FEED	CUTS CARRIER
7-1855451-7	A	-	-	-	SPARE PARTS

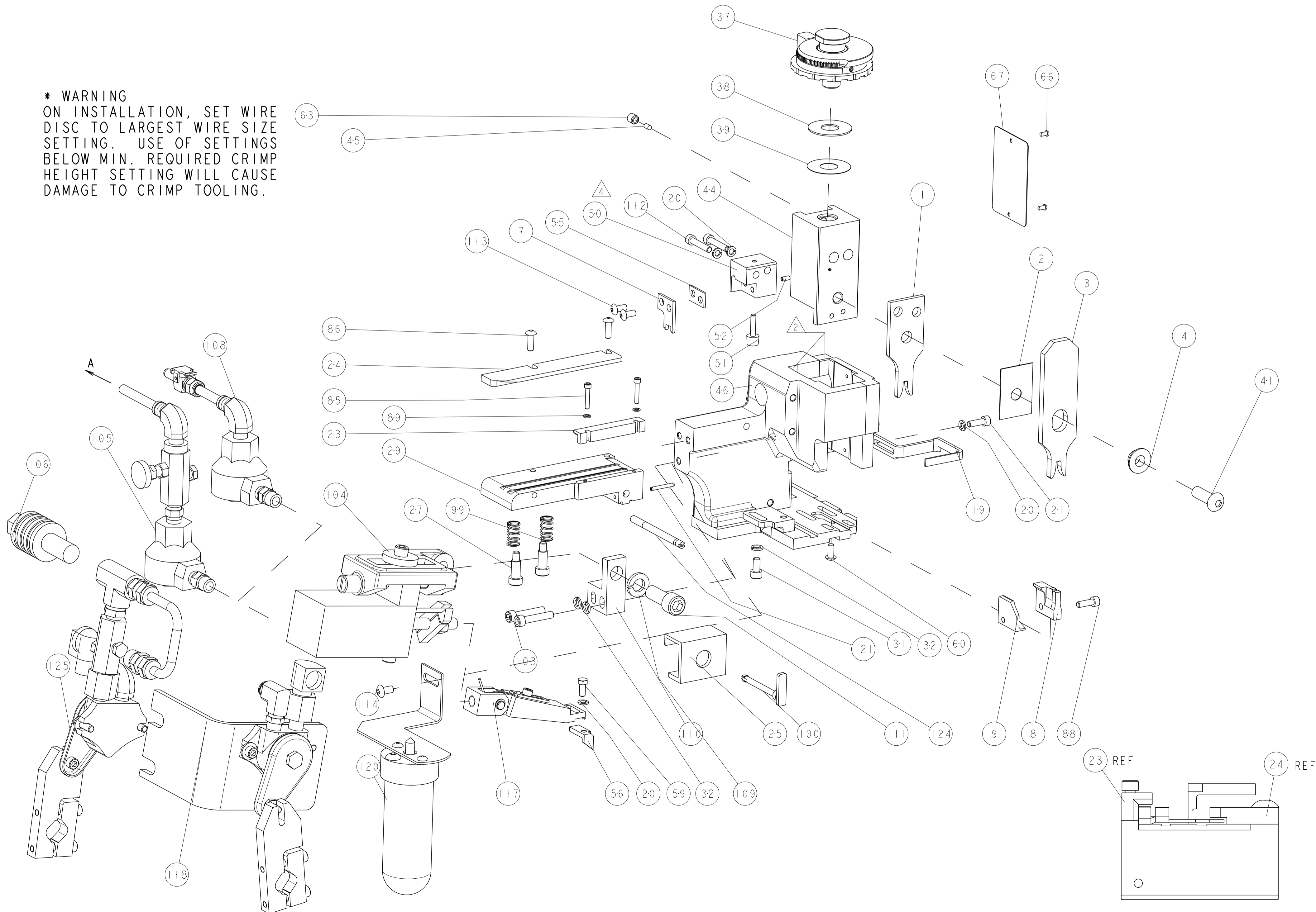


TERMINAL NAME: RING TONGUE		DELPHI TERMINAL - TE CRIMP SPECS		REF SETTING	
TE PN	DELPHI	CRIMP HEIGHT	WIRE SIZE		
1949828-2	2984576			A8	
1949828-3	2973375			B9	
-	-	2.67mm+ .05/- .05 [ .105+ .002/- .002 ]	14AWG or 2mm2	C4	
-	-	2.53mm+ .05/- .05 [ .100+ .002/- .002 ]	1.5mm2	C9	
-	-	2.47mm+ .05/- .05 [ .097+ .002/- .002 ]	16AWG or 1.25mm2		
-	-	2.41mm+ .05/- .05 [ .095+ .002/- .002 ]	1mm2		
		CRIMP	SIZE	TYPE	RANGE
-	-	-	3.30mm [ .130 ]	F	1mm2-2mm2
-	-	INSUL	4.20mm [ .165 ]	F	Ø 3.050 MAX
WIRE STRIP LENGTH	TERM APPL SPEC	FEED	APPLICATOR INSTRUCTIONS		SET UP GAGE
4.47-4.85	NONE	13.89	408-8040		458637-1

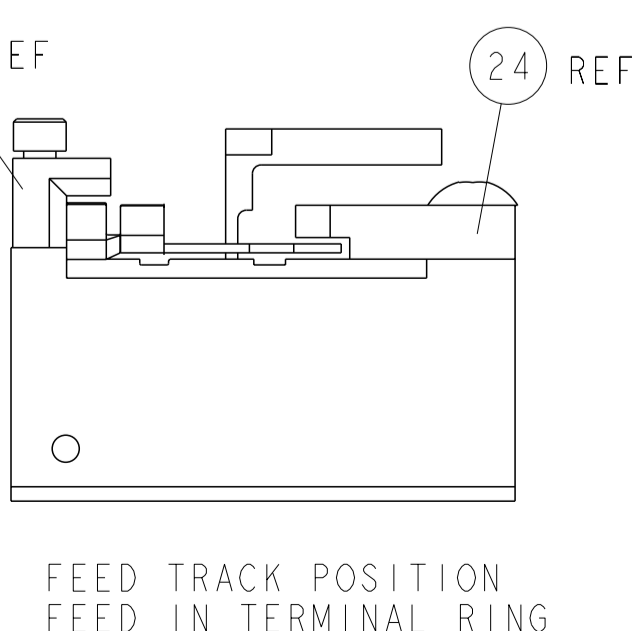
LOC	DIST	REVISIONS					
		REV	LYR	DESCRIPTION	DATE	OWN	APVD
A	66	A		RELEASED	30JAN2009	BH	BH
		B		ECR-09-007141	30MAR2009	MY	GB
		C		ECR-10-009696	12MAR2010	MY	TE

- △ RECOMMENDED SPARE PARTS
- △ GREASE LIGHTLY
- △ GUARD MUST BE IN PLACE WHEN OPERATING APPLICATOR IN A BENCH MACHINE
- △ GRIND AT ASSEMBLY.
- 5. TERMINAL LUBRICANT IS RECOMMENDED.
- △ INSTALL ITEMS 101, 102 & 119 ON SIDE OF STRIPPER ON APPLICATOR HOUSING USING ITEM 21.

**\* WARNING**  
ON INSTALLATION, SET WIRE DISC TO LARGEST WIRE SIZE SETTING. USE OF SETTINGS BELOW MIN. REQUIRED CRIMP HEIGHT SETTING WILL CAUSE DAMAGE TO CRIMP TOOLING.



-	-	1	-	-	455350-4	AIR BLAST ASS'Y	125	
-	-	1	1	1	690432-6	ADJUSTMENT SCREW	124	
-	-	1	1	1	4-21028-0	PIN, SLOTTED SPRING .094 X .750	121	
-	-	1	-	-	1-465184-0	LUBRICATOR ASSY	120	
△	-	18	24	18	IN	27319-4 TUBING 1/4" O.D.	119	
-	-	1	-	-	692655-6	AIR FEED VALVE ASSEMBLY	118	
-	-	1	1	1	461062-1	FEED FINGER ASSEMBLY	117	
△	-	-	REF	-	455749-1	GUARD WINDOW	116	
△	-	REF	-	-	679532-1	INSERT, GUARD	115	
-	-	1	-	-	2-21002-6	SCR, BTN SKT HD CAP 10-32 X .375	114	
-	2	2	2	-	2-21002-1	SCR, BTN SKT HD CAP 8-32 X .375	113	
△	-	2	2	2	-	3-21000-0	SCR, SKT HD CAP 8-32 X .875	112
-	1	1	1	-	3-21001-5	SCR, SKT HD CAP 3/8-16 X 1.000	111	
-	1	1	1	-	459610-1	MOUNT, FEED BRACKET	110	
-	1	1	1	-	21024-8	WASHER, SPRG LOCK, REG 3/8	109	
-	1	-	1	-	692655-7	AIR FEED VALVE ASSEMBLY	108	
-	-	1	-	-	24042-2	VALVE, SLEEVE, 3-WAY	106	
-	-	1	-	-	692655-5	AIR FEED VALVE ASSEMBLY	105	
-	1	1	1	-	461065-1	ASSEMBLY, AIR FEED	104	
-	2	2	2	-	3-21000-9	SCR, SKT HD CAP 10-32 X 1.000	103	
△	-	1	1	1	-	986220-3	CLAMP, CABLE, BLACK	102
△	-	1	1	1	-	23238-1	INSERT, COUPLING	101
-	1	1	1	-	690546-1	LEVER, DRAG RELEASE	100	
-	2	2	2	-	1-22282-3	SPRING, COMPRESSION	99	
-	2	2	2	-	21024-2	WASHER, SPRG LOCK, REG NO 4	89	
-	1	1	1	-	2-21000-7	SCR, SKT HD CAP 8-32 X .500	88	
-	2	2	2	-	2-21002-2	SCR, BTN SKT HD CAP 8-32 X .500	86	
-	2	2	2	-	1-21000-6	SCR, SKT HD CAP 4-40 X .625	85	
-	1	1	1	-	4088040	SF APPL INST 408-8040	72	
-	1	1	1	-	217238-1	GENERAL INSTRUCTION PKG	71	
-	1	1	1	-	461264-5	PLATE, IDENTIFICATION	67	
-	2	2	2	-	21017-2	SCREW, DRIVE	66	
-	1	1	1	-	21009-2	SCR, SET, SELF LOCKING 1/4-20 X .250	63	
-	1	1	1	-	22733-8	SCR, BHSC, SELF-LOCKING, 8-32 X .375	60	
-	1	1	1	-	2-22603-1	SCREW, MACH, HEX HD, 8-32 X .375	59	
-	1	1	1	-	1-694433-5	FEED PAWL	56	
-	1	1	1	-	5-240641-4	SPACER	55	
-	1	1	1	-	2-21008-1	SCR, SET, SELF LOCKING 1/4-20 X .250	52	
-	1	1	1	-	811242-7	BUMPER, HOLD DOWN	51	
-	1	1	1	-	1633513-1	HOLDER, SLUG BLADE	50	
-	1	1	1	-	1633399-1	APPL., BASIC AIR FEED SUB ASSY	46	
-	1	1	1	-	690191-1	PLUG, NYLON	45	
-	1	1	1	-	1-455673-4	RAM, SIDE FEED	44	
-	1	1	1	-	7-21002-9	SCR, BTN SKT HD CAP 5/16-24 X 1.00	41	
-	1	1	1	-	690125-1	SHIM SUB-ASSY	39	
-	1	1	1	-	469367-7	SHIM	38	
-	1	1	1	-	879103-3	FINE ADJUST HEAD ASSEMBLY	37	
-	3	3	3	-	21024-5	WASHER, SPRG LOCK, REG NO 10	32	
-	1	1	1	-	3-21000-4	SCR, SKT HD CAP 10-32 X .375	31	
-	1	1	1	-	3-455671-3	PLATE, STRIP GUIDE	29	
-	2	2	2	-	27210-3	SCR, SHLD, HEX HD, 1/4 DIA	27	
-	1	1	1	-	6-690754-0	DRAG, SPECIAL	25	
-	1	1	1	-	8-690440-5	GUIDE, REAR STRIP	24	
-	1	1	1	-	2-690712-6	FRONT STRIP GUIDE	23	
-	1	1	1	-	2-21000-7	SCR, SKT HD CAP 8-32 X .500	21	
-	4	4	4	-	21024-4	WASHER, SPRG LOCK, REG NO 8	20	
-	1	1	1	-	1-456468-1	STRIPPER, SPECIAL	19	
△	1	1	1	-	1633742-2	PLATE, REAR SHEAR	9	
△	1	1	1	-	1633758-1	ANVIL, SPECIAL, COMBINATION	8	
△	1	1	1	-	1-1583859-4	BLADE, SLUG	7	
-	-	-	-	-	-	-	6	
-	-	-	-	-	-	-	5	
-	1	1	1	-	238009-5	BLOCK, FL CRIMPER SPACER	4	
△	1	1	1	-	1633471-9	CRIMPER, INSULATION F	3	
-	1	1	1	-	455888-5	SPACER, CRIMPER	2	
△	1	1	1	-	8-1633305-9	CRIMPER, WIRE PREMIUM	1	



DIMENSIONS:		TOLERANCES UNLESS OTHERWISE SPECIFIED:		APPROVED:		CUSTOMER ACCESSIBLE PRODUCTION DRAWING	
INCHES		0 PLC	± .1	DATE	BY	SCALE	SHEET
1		1 PLC	± .01	14DEC2008	B. HIGMAN	3:5	1
2		2 PLC	± .001	14DEC2008	T. ELBIN		
3		3 PLC	± .0001	14DEC2008	N. DEMING		
4		4 PLC	± .00001				
MATERIAL:		FINISH:		WEIGHT:		REV C	