

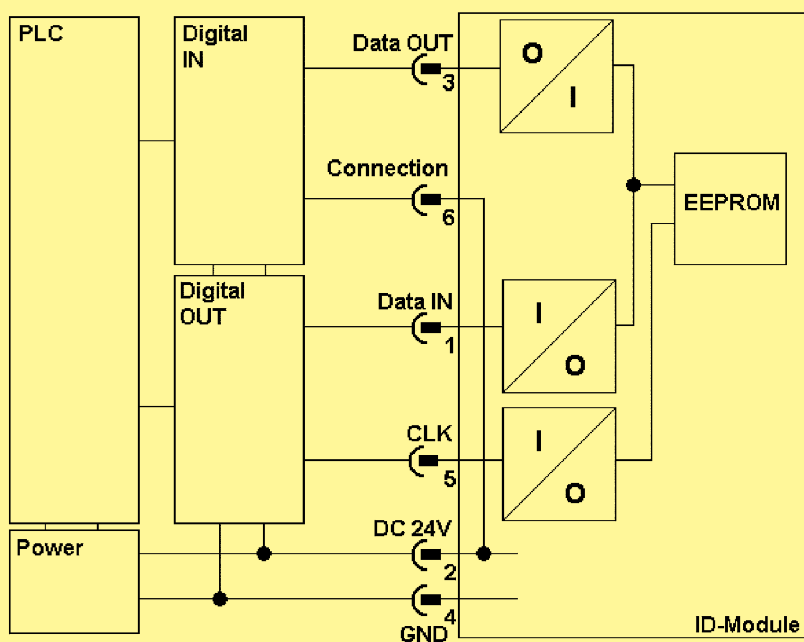


## Input module

Identification	Part number Male insert (M)	Drawing	Dimensions in mm
Electronic identification module	<b>20 70 001 1001</b>		

Han  
Modular

## Block diagram / Wiring plan



### Meaning of the connections

Pin no.	Name	Meaning/Function
1	Data IN	Input for data and control signals from PLC
2	DC 24 V	Power connection of the ID module
3	Data OUT	Output for data signals from ID module to PLC
4	GND	Ground
5	CLK	System clock for synchronisation
6	Connection	Output of the ID module for connection detection