

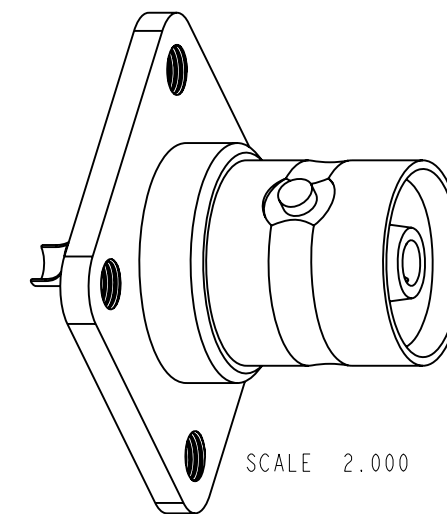
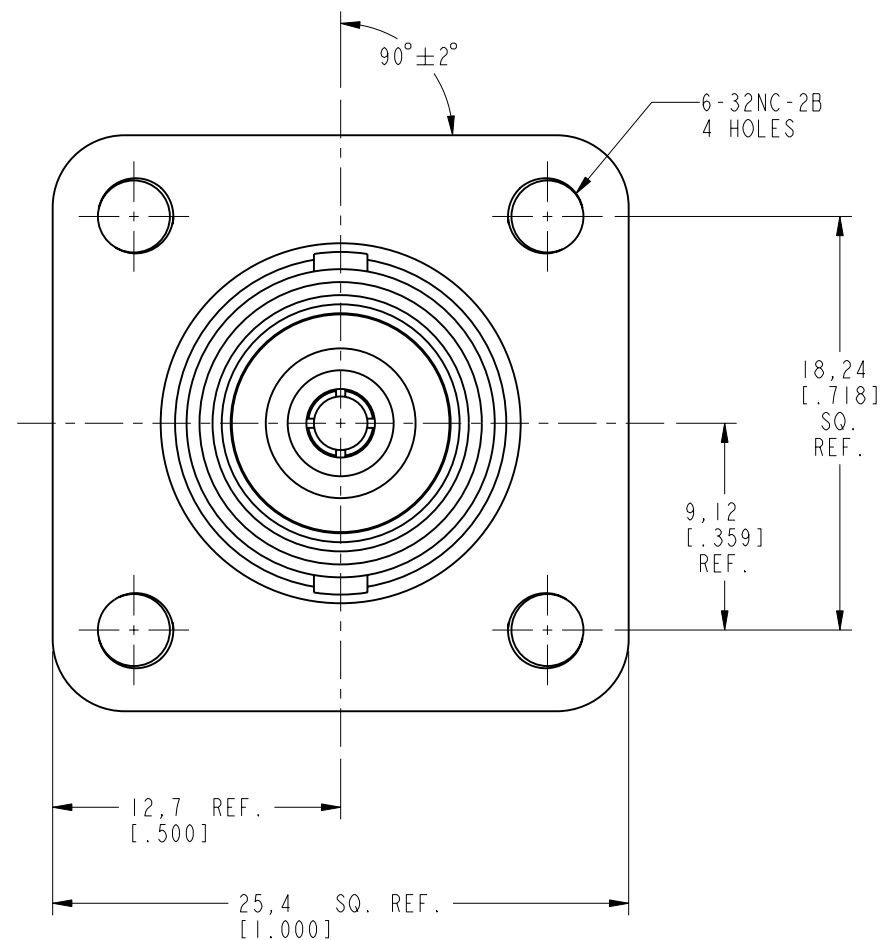
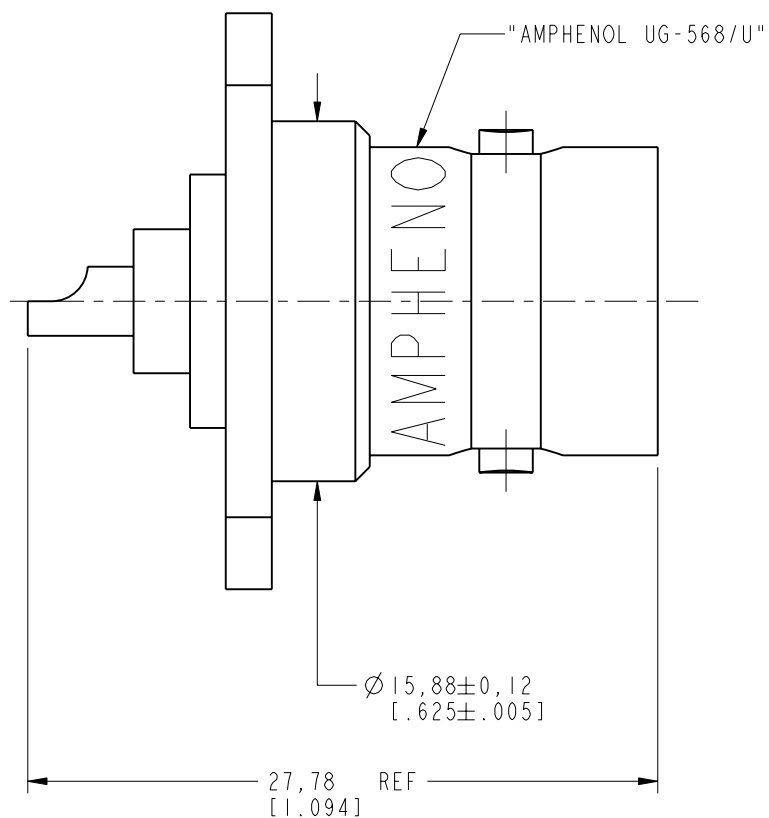
NOTES:

1. MATERIALS AND FINISHES:  
 BODY- BRASS, NICKEL PLATING  
 CONTACT - BERYLLIUM COPPER, SILVER PLATING  
 INSULATOR - PTFE, NATURAL
2. ELECTRICAL:  
 A. IMPEDANCE: 50 OHM
3. MECHANICAL:  
 A. DURABILITY: 500 CYCLES MIN.  
 B. TEMPERATURE RANGE: -65° C TO +165° C
4. PACKAGING:  
 A. QUANTITY: SINGLE PACK  
 B. MARKING: BAG TO BE MARKED  
 "AMPHENOLRF, 82-504, AND DATE CODE"

THIRD ANGLE PROJ.

REVISIONS

REV	DESCRIPTION	DATE	ECO	APPR
	RELEASE TO MFG			
B	ARFA ADDED COD	30-Aug-05	--	SH
L	THE TITLE WAS CHANGED/RD-DM08081802S1	23-Aug-08	--	SH
M	STAMP "AMPHENOL" WAS "74868"\RD-DM12092001R3	26-Oct-12	49079	DH



**CUSTOMER OUTLINE DRAWING**

ALL OTHER SHEETS ARE FOR INTERNAL USE ONLY

UNLESS OTHERWISE SPECIFIED, DIMENSIONS ARE IN METRIC AND TOLERANCES ARE: <0.5mm ± 0.05mm    0.5 - 6mm ± 0.1mm    6 - 30mm ± 0.2mm    30 - 120mm ± 0.3mm    ANGLES ± 1°	MATERIAL	DRAWN R. MAO	DATE 17-Aug-12	TITLE RECEPTACLE TYPE "C" FOR UG-568/U	Amphenol RF <a href="http://www.amphenolrf.com">www.amphenolrf.com</a>
	NOTICE - These drawings, specifications, or other data (1) are, and remain the property of Amphenol corp. (2) must be returned upon request; and (3) are confidential and not to be disclosed to any person other than those to whom they are given by Amphenol Corp. the furnishing of these drawings, specifications, or other data by Amphenol Corp., or to any other person to anyone for any purpose is not to be regarded by implication or otherwise in any manner licensing, granting rights to permitting such holder or any other person to manufacture, use or sell any product, process or design, patented or otherwise, that may in any way be related to or disclosed by said drawings, specifications, or other data.	REFERENCE EAR #                      AND CONFIGURATION LEVEL: <input type="checkbox"/> <input type="checkbox"/> <input type="checkbox"/>	ENGINEER S. LI		
	FINISH	APPROVED S. HSIEH	DATE 17-Aug-12	SCALE: 3.0:1.0    SHEET 2 OF 2	ITEM NO. 82-504
		CAD FILE		DWG SIZE B	REV M
					PART NO. 82-504