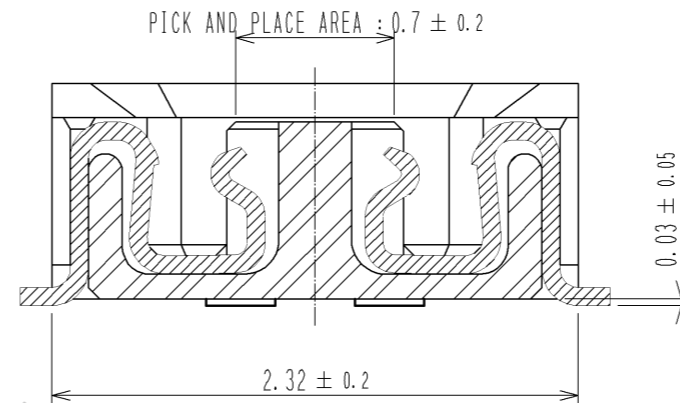
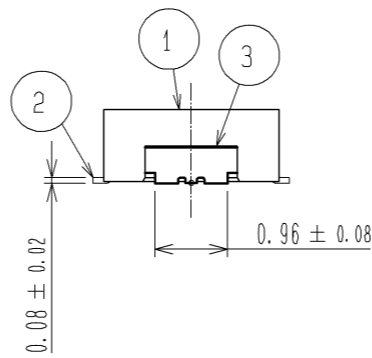
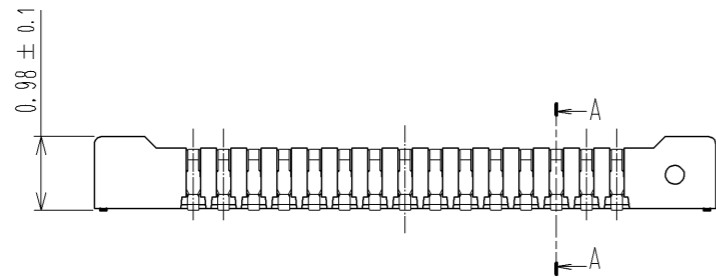
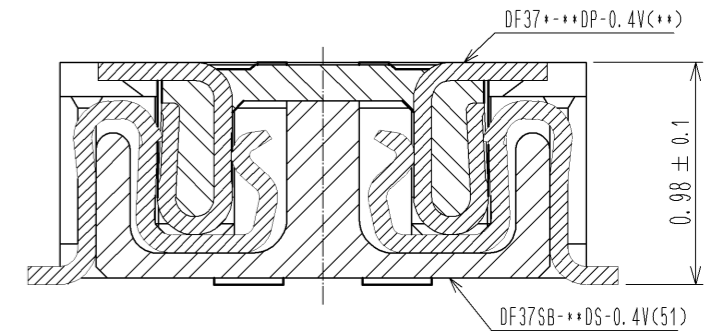


A-A (FREE SIZE)

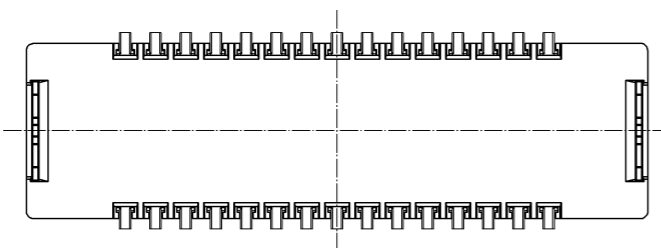


ENGAGEMENT FIGURE (FREE SIZE)



PART No.	CL No.	B	C	D
DF37SB-10DS-0.4V(51)	CL684-3500-2-51	4.22	1.6	0.8
DF37SB-16DS-0.4V(51)	CL684-3501-5-51	5.42	2.8	1.2
DF37SB-20DS-0.4V(51)	CL684-3502-8-51	6.22	3.6	1.6
DF37SB-24DS-0.4V(51)	CL684-3503-0-51	7.02	4.4	2.0
DF37SB-30DS-0.4V(51)	CL684-3504-3-51	8.22	5.6	2.0
DF37SB-34DS-0.4V(51)	CL684-3505-6-51	9.02	6.4	2.4
DF37SB-40DS-0.4V(51)	CL684-3506-9-51	10.22	7.6	2.4
DF37SB-50DS-0.4V(51)	CL684-3507-1-51	12.22	9.6	2.8
DF37SB-60DS-0.4V(51)	CL684-3508-4-51	14.22	11.6	3.2
DF37SB-70DS-0.4V(51)	CL684-3615-4-51	16.22	13.6	3.6
DF37SB-74DS-0.4V(51)	CL684-3616-7-51	17.02	14.4	4.0

NOTE 1. ALL LEADS CO-PLANARITY SHALL BE 0.1mm MAX.
 ② CONTACT PLATING SPECIFICATIONS.
 CONTACT AREA : GOLD 0.05 μm MIN.
 SMT LEAD : GOLD 0.05 μm MIN.
 UNDERPLATING : NICKEL 1 μm MIN.
 (SURFACE : SEALING)
 ③ METAL HOLD DOWN PLATING SPECIFICATIONS.
 MOUNTING AREA: GOLD 0.05 μm MIN.
 UNDERPLATING : NICKEL 1 μm MIN.

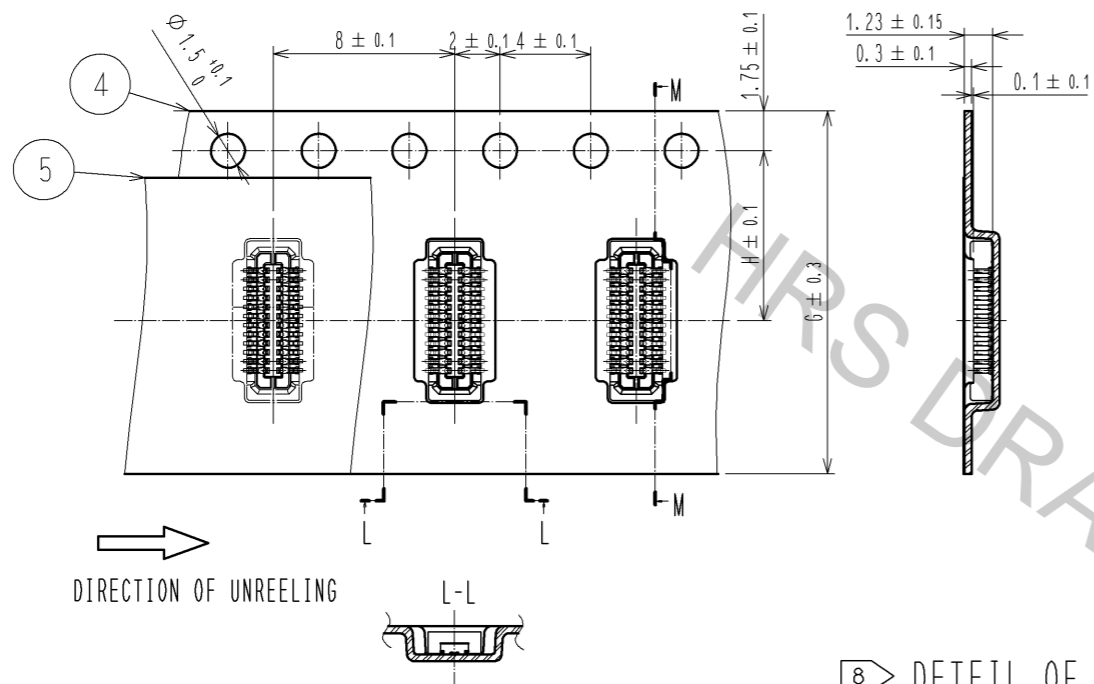


3	PHOSPHOR BRONZE	③	7	PS	CLEAR(REINFORCEMENT COLLAR)
2	PHOSPHOR BRONZE	②	6	PS	PLASTIC REEL (BLACK)
1	LCP	UL94V-0, BLACK	5	POLYESTER	CLEAR(COVER TAPE)
部番	材質	処理, 備考	部番	材質	処理, 備考
4	PS				CLEAR(EMBOSSED CARRIER TAPE)

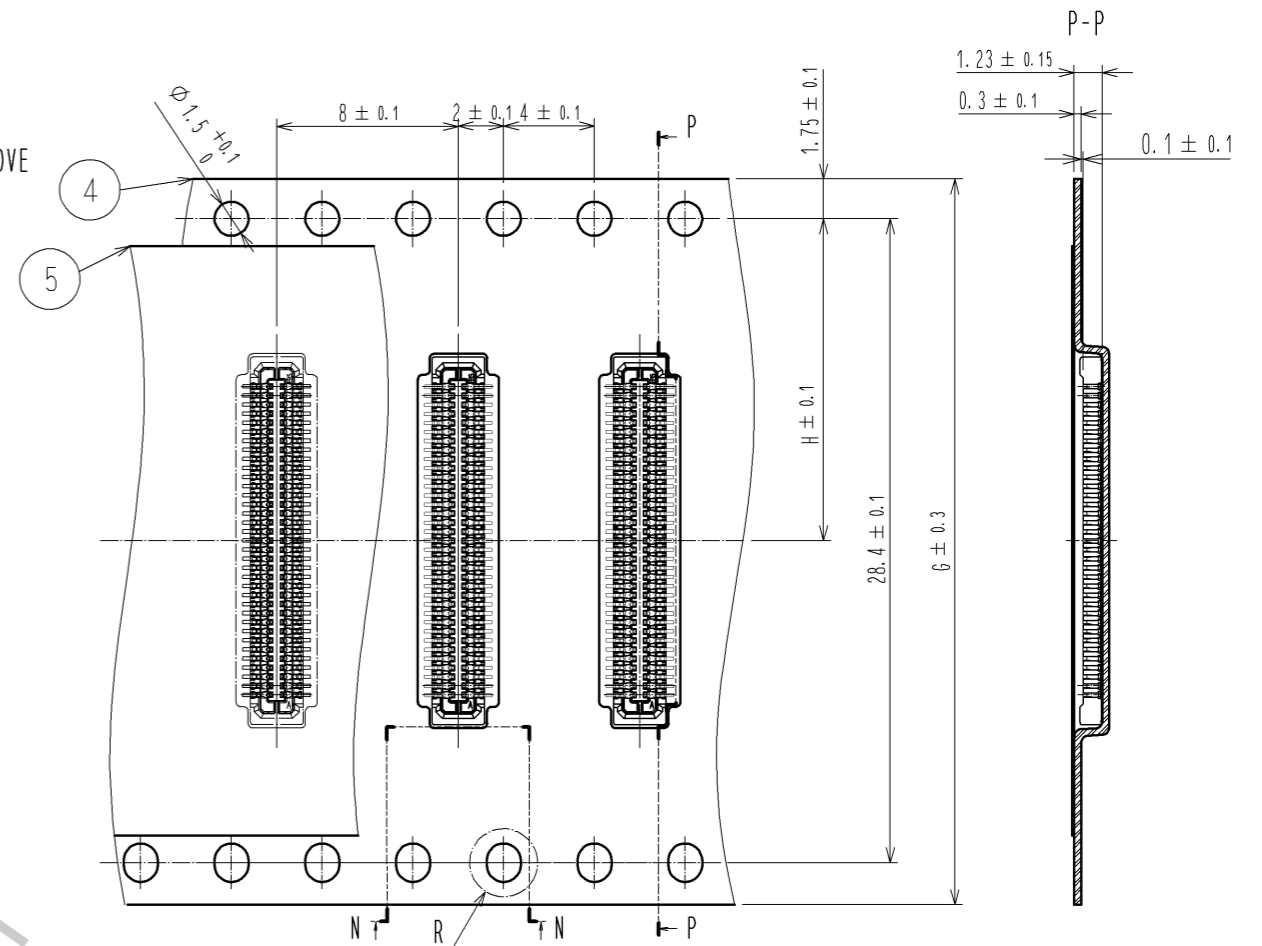
UNITS	SCALE	訂正記事	設計	検 査	年月日
mm	10:1	△の数 6 DIS-H-007655	NT. SEKI	TS. MIYAZAKI	13.02.19
承認 : KH. IKEDA 10.02.08		図番 : EDC3-329590-01			
検 査 : TS. MIYAZAKI 10.02.08		製品名 : DF37SB-*DS-0.4V(51)			
設 計 : RT. SHIMIZU 10.02.08		製品コード : CL684			
製 図 : RT. SHIMIZU 10.02.05					

EMBOSED CARRIER TAPE PACKAGING (FREE SIZE)

◆ UNDER 60 POS.

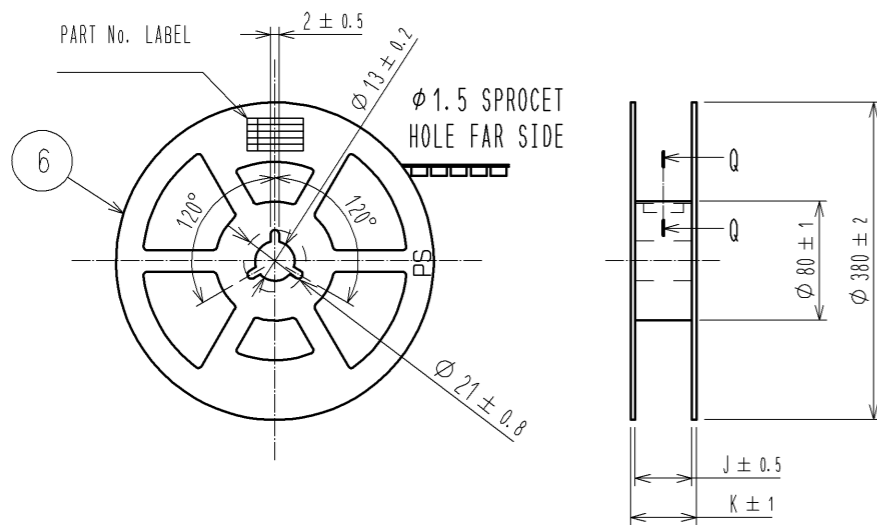


◆ 70 POS. AND ABOVE



8 DETAIL OF PART No. LABEL

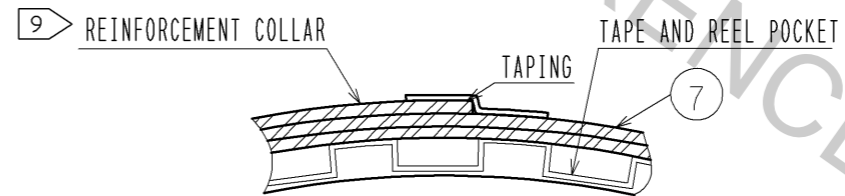
STYLE AND DIMENSION OF REEL (FREE SIZE)



SUPPLIER
QUANTITY
PART NO.
CODE NO.
DATE OF MANUFACTURED

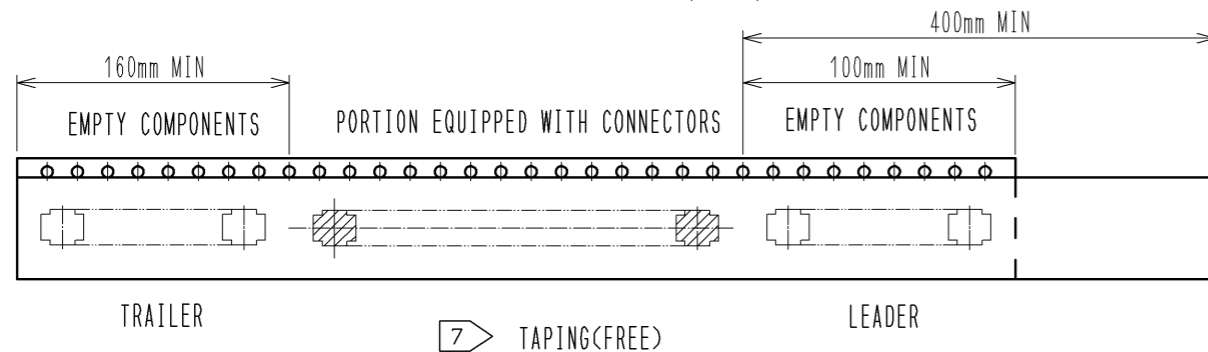
製造年月日	年 月 日
製品コード	** ** *
製品名	DF37SB-**DS-0.4V(51)
数量	8000個
納入者	ヒロセ電機(株)

DIRECTION OF UNREELING



PART No.	G	H	J	K
DF37SB-10DS-0.4V(51)	16	7.5	17.5	21.5
DF37SB-16DS-0.4V(51)	16	7.5	17.5	21.5
DF37SB-20DS-0.4V(51)	16	7.5	17.5	21.5
DF37SB-24DS-0.4V(51)	16	7.5	17.5	21.5
DF37SB-30DS-0.4V(51)	24	11.5	25.5	29.5
DF37SB-34DS-0.4V(51)	24	11.5	25.5	29.5
DF37SB-40DS-0.4V(51)	24	11.5	25.5	29.5
DF37SB-50DS-0.4V(51)	24	11.5	25.5	29.5
DF37SB-60DS-0.4V(51)	24	11.5	25.5	29.5
DF37SB-70DS-0.4V(51)	32	14.2	37.5	33.5
DF37SB-74DS-0.4V(51)	32	14.2	37.5	33.5

- NOTES
- PER REEL 8000 CONNECTORS.
 - THE DIMENSIONS IN PARENTHESES ARE FOR REFERENCE.
 - REFER TO JIS C 0806(IEC 60286-3)
(PACKING OF COMPONENTS FOR AUTOMATIC HANDLING)
 - DETAIL OF PART No. LABEL IS WRITTEN IN JAPANESE.
 - AFTER PACKAGING, ROLL 2 METERS OF THE REINFORCEMENT COLLAR TO OUTER CIRCUMFERENCE OF TAPE AND REEL POCKET, AND TAPE DOWN AT THE END THE COLLAR.



HRS

DRAWING NO.	EDC3-329590-01
PART NO.	DF37SB-*DS-0.4V(51)
CODE NO.	CL684

3/3