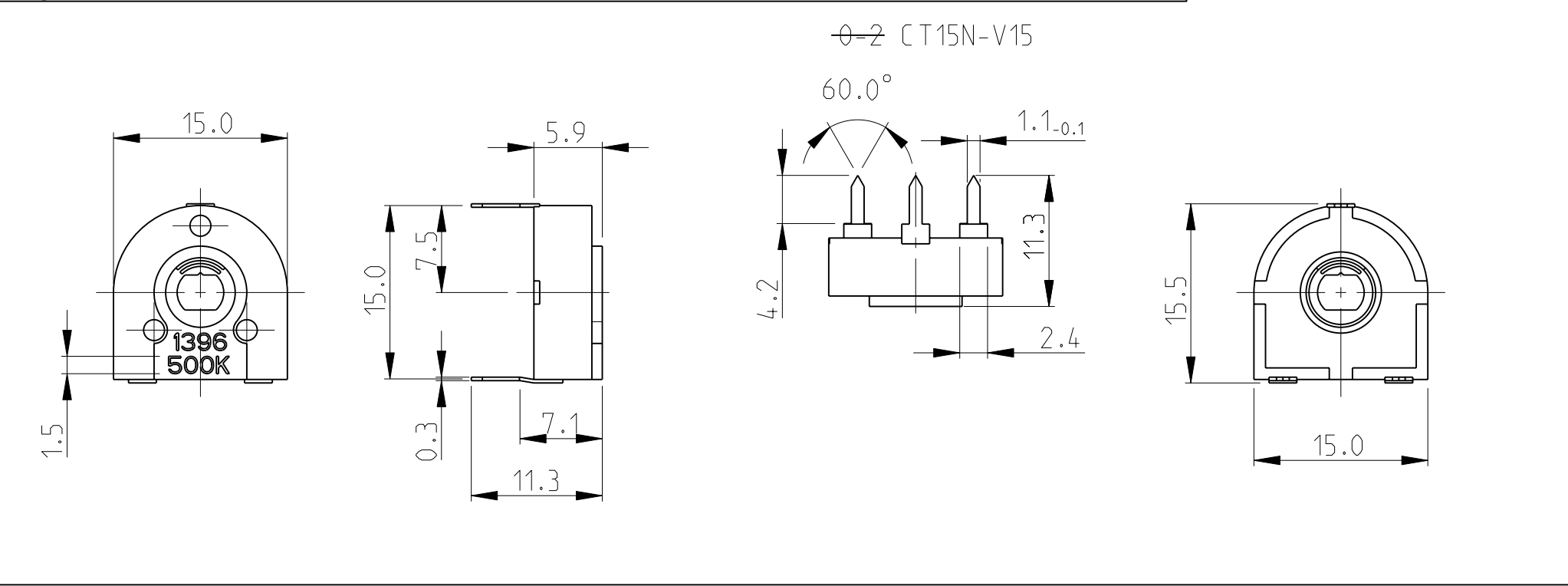
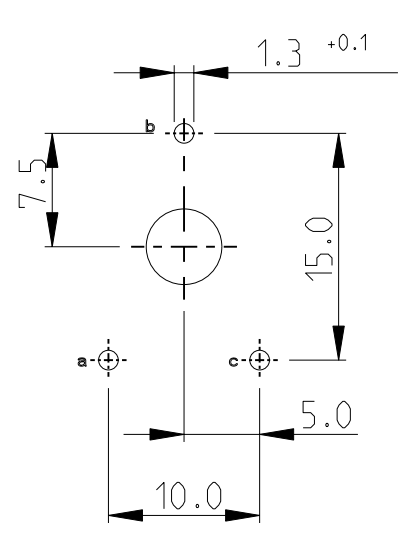


THIS DRAWING IS UNPUBLISHED. RELEASED FOR PUBLICATION 2008  
 © COPYRIGHT 2008 BY TYCO ELECTRONICS CORPORATION. ALL RIGHTS RESERVED.

LOC		DIST		REVISIONS			
P	LTR	DESCRIPTION	DATE	DWN	APVD		
	BA1	ECR-10-016475	25AUG2010	KK	HMR		

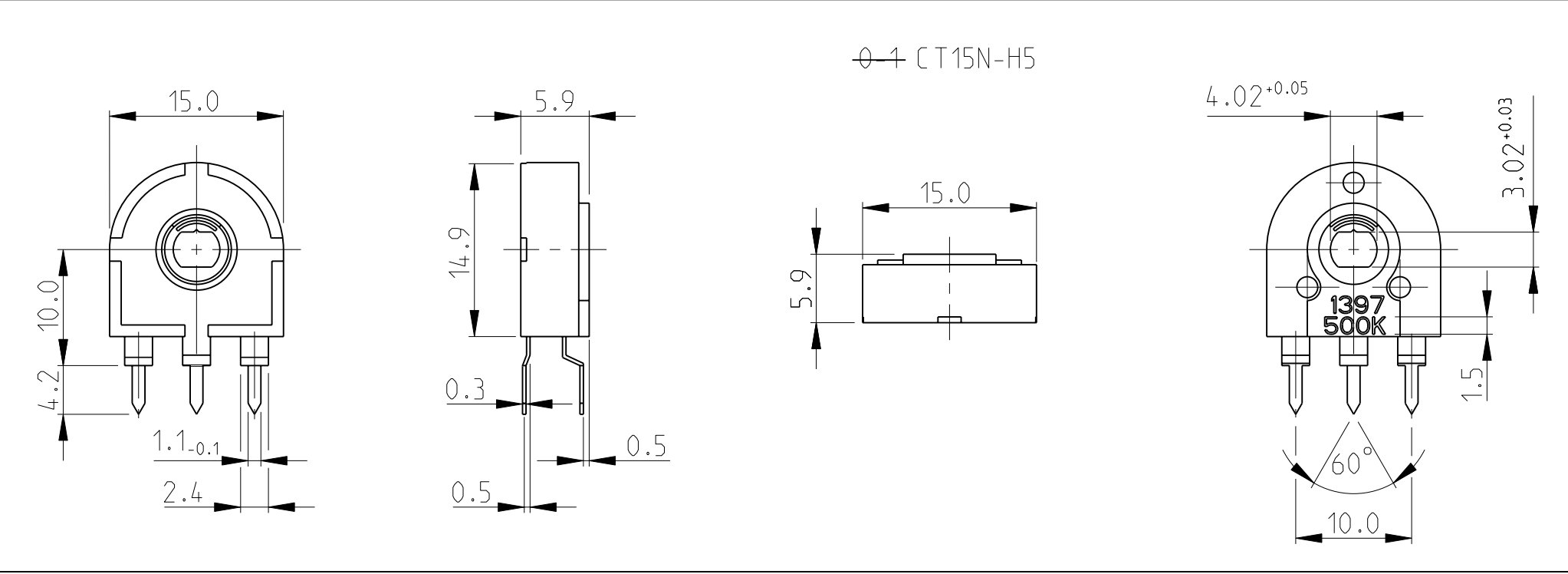


PCB LAYOUT PLAN

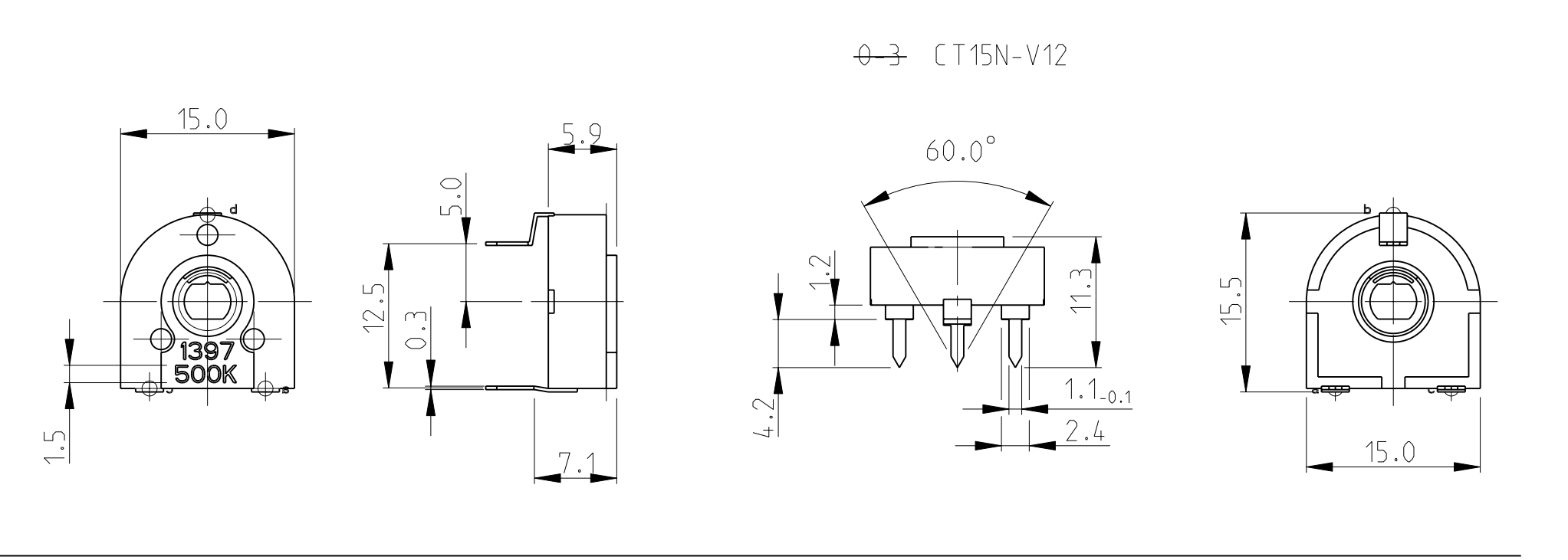
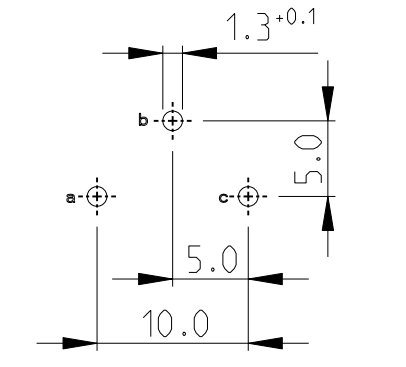


FOR FURTHER INFORMATION SEE DATA SHEET FOR CB15 & CT15 SERIES-CARBON ECONOMY TRIMMERS

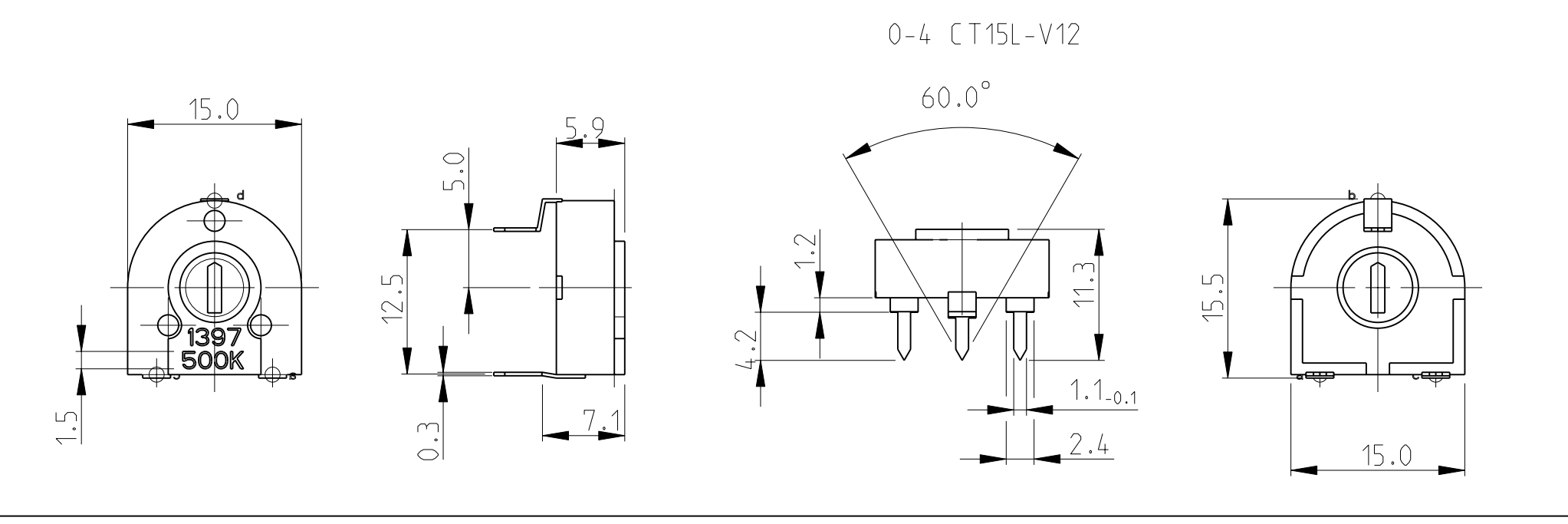
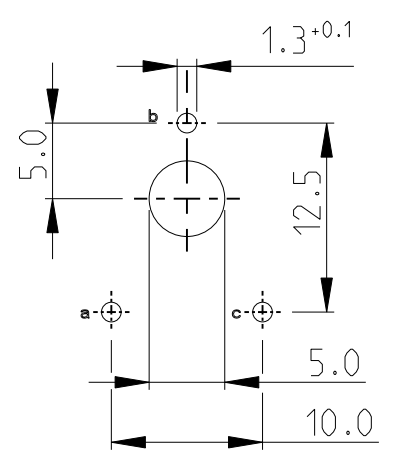
RoHS Compliant



PCB LAYOUT PLAN



PCB LAYOUT PLAN



0-4 CT15L-V12

0-3 CT15N-V12  
OBSOLETE

0-2 CT15N-V15  
OBSOLETE

0-4 CT15N-H5  
OBSOLETE

DIMENSIONS: mm 		TOLERANCES UNLESS OTHERWISE SPECIFIED: 0 PLC ±0.2 1 PLC ±0.1 2 PLC ± 3 PLC ± 4 PLC ± ANGLES ±5° FINISH		DWN SUBHASH.M 07-NOV-08 CHK PRAKASH.S 07-NOV-08 APVD STEPHEN.P 07-NOV-08 PRODUCT SPEC APPLICATION SPEC WEIGHT - CUSTOMER DRAWING		Tyco Electronics Corporation Dorcan, Swindon, SN3 5HH NAME CARBON ECONOMY TRIMMERS SERIES CT15 SIZE A2 CAGE CODE 00779 DRAWING NO. 1879403 RESTRICTED TO - SCALE 1:1 SHEET 1 OF 1 REV. BA1	
-----------------------	--	---	--	--	--	---	--