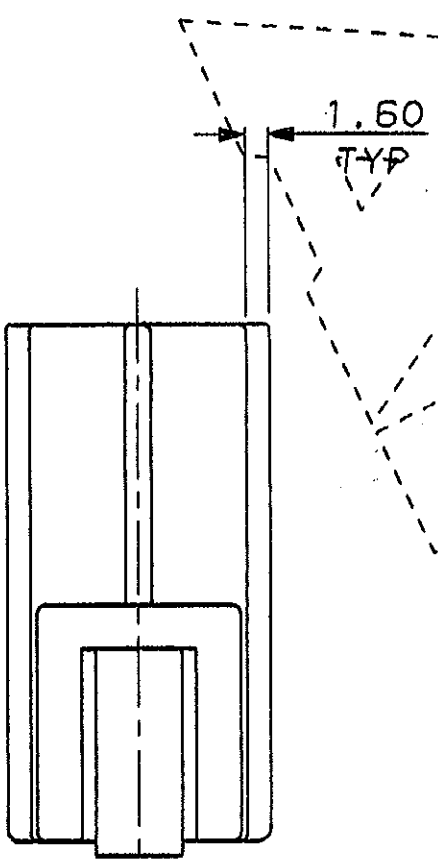
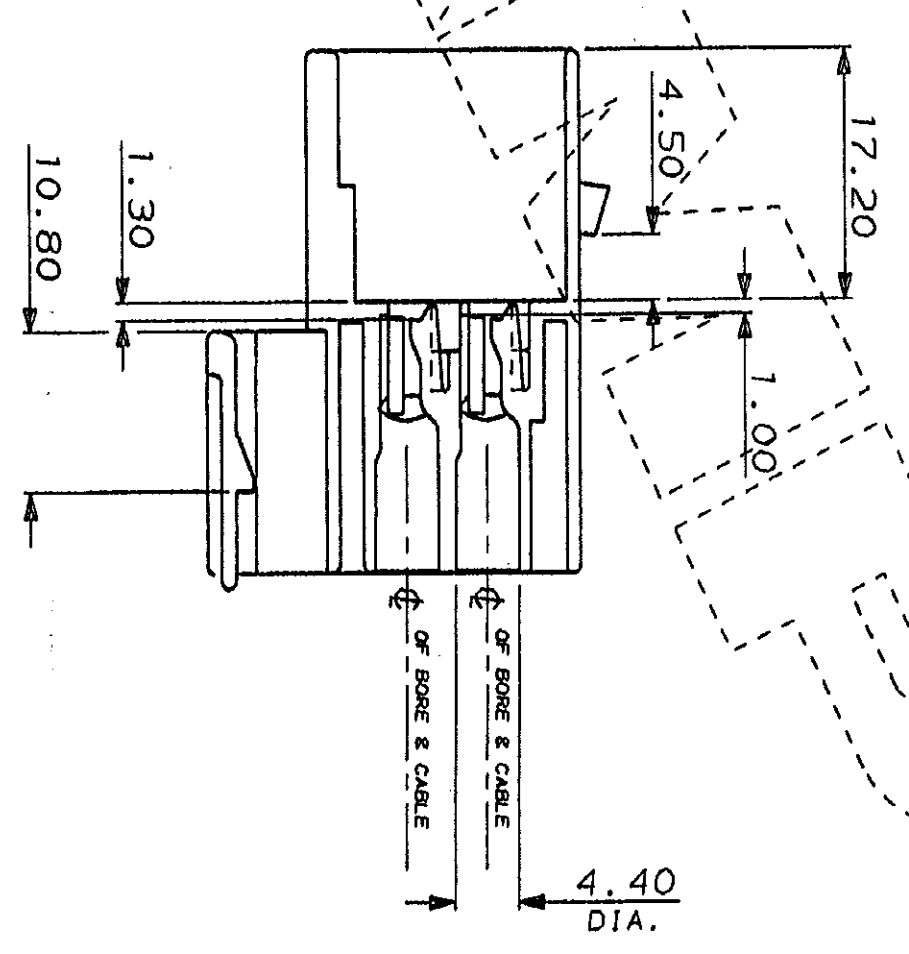
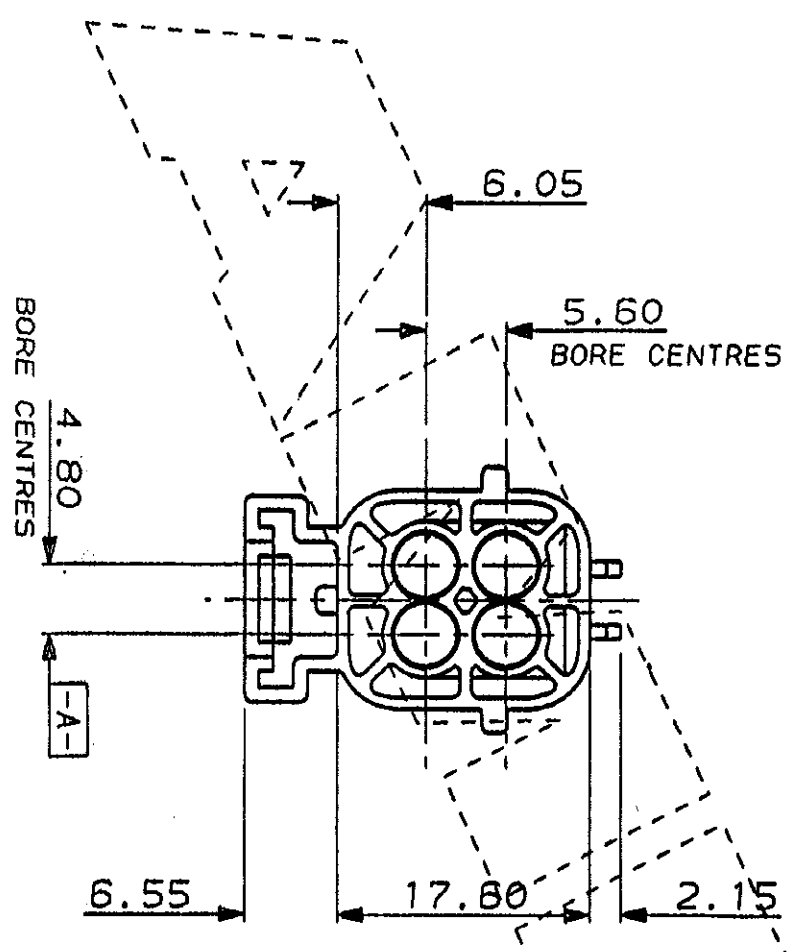
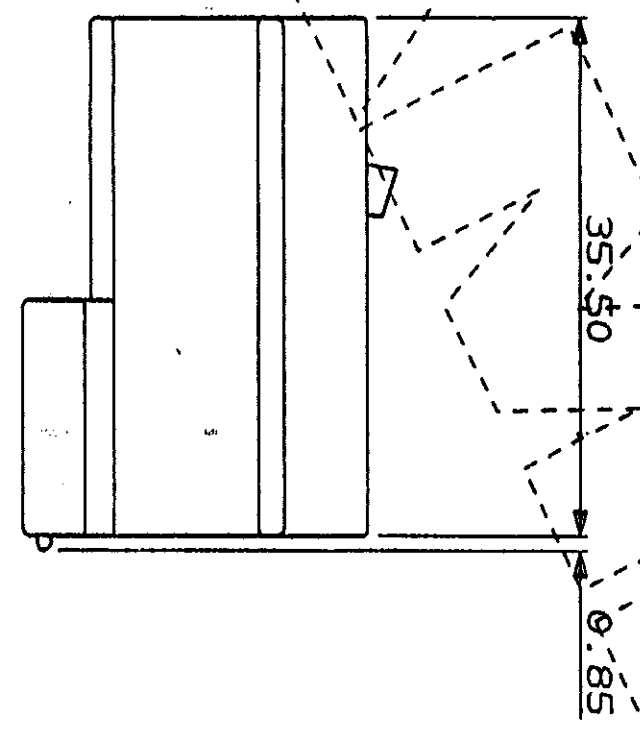
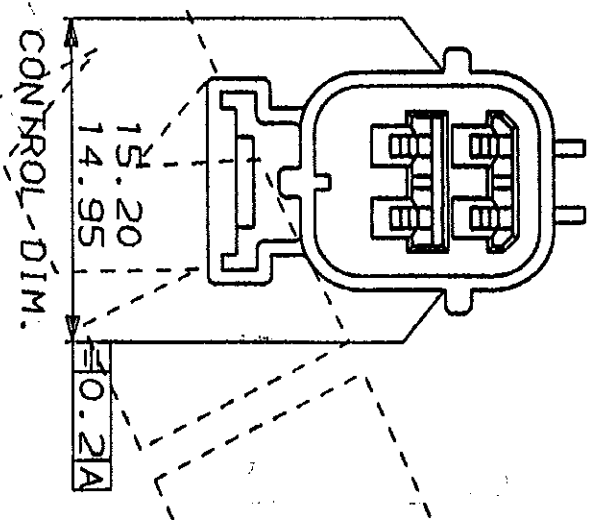


FORMAT 22/05/85

DO NOT SCALE DIMENSIONS IN MM.



FOR HEADER DETAILS OF THIS PART
SEE CSP 8489 REV. 2.

REV	APPROVED	DATE	ECN	SCALE	LOC	SIZE	DWG. NO.	REV	SHEET
0	APPROVED	21.3.88	CON	2/1	E	A2	C344268	D	1/1

REV	DESCRIPTION	DATE	BY	CHKD.
0	ISSUED FOR PRODUCTION	21.3.88	CON	CON
1	REVISED	11.5.88	CON	CON
2	REVISED	27.9.88	CON	CON
3	REVISED	4.3.91	CON	CON
4	REVISED	11.5.91	CON	CON

FINISH	MATERIAL	PART NUMBER
WHITE	NYLON 6.6	344268-4
BLUE	NYLON 6.6	344268-3
RED	NYLON 6.6	344268-2
BLACK	NYLON 6.6	344268-1

CUSTOMER DWG		TOLERANCES UNLESS OTHERWISE STATED	
FOR REFERENCE ONLY	DR. I. J.	± 0.5	1°
	CH. R. J. S.		

4 WAY TAB HOUSING
ECONOSEAL 3 LOW CURRENT



TERMINAL HOUSE
STANBROOK
H1100X

© COPYRIGHT 1987 BY APP OF GREAT BRITAIN LTD.
ALL INTERNATIONAL RIGHTS RESERVED. ALL PRODUCTS
MAY BE COVERED BY BRITISH AND FOREIGN PATENTS AND/OR PATENTS PENDING.
03/11/87
RELEASED FOR PUBLICATION