

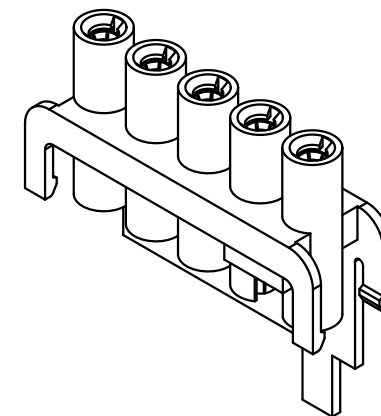
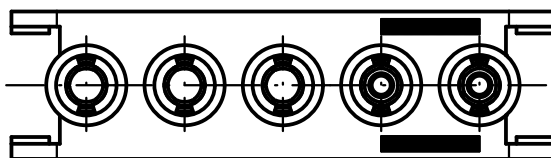
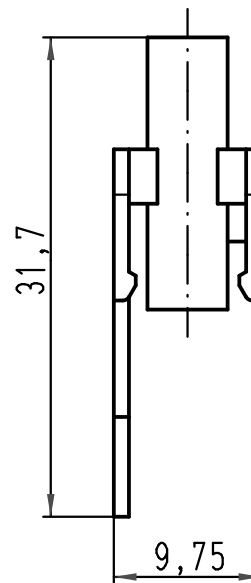
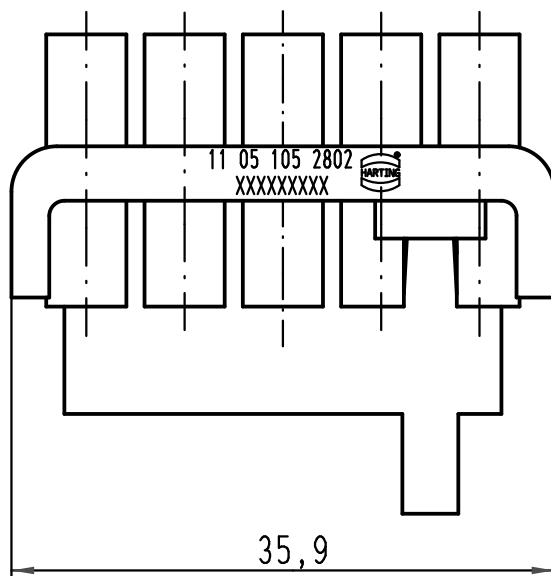
1 2 3 4 5 6

A

B

C

D



| | | | | | |
|---|--------------------------------|----------|-------------------|---|--|
| <p>All Dimensions in mm Original Size DIN A 4</p> | Techn. Character. | | | Nicht tolerierte Maße! Free size tolerances | |
| | | Dat. | Name | Maßstab/Scale 2:1 | Buchsenträger 2 gebrückt female insert 2 bridged Han-Yellock |
| | Detail. | 28.04.10 | Ho | | |
| | Insp. | | SP | | |
| | Stand. | | | | |
| A | HARTING Electric GmbH & Co. KG | | | | TB 11 05 105 2802 |
| Mod. | Dat. | Name | D-32339 Espelkamp | | |
| | | | | | Sub. |