

Cable for programming - RAD-CABLE-USB - 2903447

Please be informed that the data shown in this PDF Document is generated from our Online Catalog. Please find the complete data in the user's documentation. Our General Terms of Use for Downloads are valid (<http://phoenixcontact.com/download>)




Radioline - USB data cable for communication between the PC and Radioline devices, energy supply for diagnostics and configuration via the USB port of the PC, cable length: 2 m / 6.5 ft

Why buy this product

- Power supply for diagnostics and configuration via the USB port of the PC

Key Commercial Data

Packing unit	1 STK
GTIN	 4 046356 739429
GTIN	4046356739429

Technical data

Dimensions

Fixed cable length	2 m
--------------------	-----

Ambient conditions

Ambient temperature (operation)	-25 °C ... 70 °C (-13 °F ... 158 °F)
Ambient temperature (storage/transport)	-40 °C ... 85 °C (-40 °F ... 185 °F)

General

Connection 1	PC side
	IFS (male)
Connection method	USB 2.0 Fullspeed
Note	serial
Connection 2	Device side
	USB type A (male)
Connection method	IFS data port

Standards and Regulations

Electromagnetic compatibility	Conformance with EMC Directive 2014/30/EU
-------------------------------	---

Cable for programming - RAD-CABLE-USB - 2903447

Technical data

Standards and Regulations

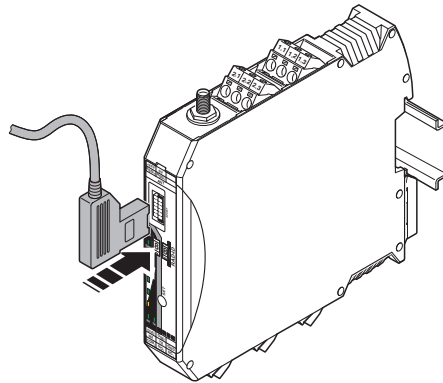
Noise emission	EN 61000-6-4
Noise immunity	EN 61000-6-2

Environmental Product Compliance

REACH SVHC	Lead 7439-92-1
China RoHS	Environmentally friendly use period: unlimited = EFUP-e
	No hazardous substances above threshold values

Drawings

Schematic diagram



Example application

Approvals

Approvals

Approvals

EAC

Ex Approvals

Approval details

EAC		EAC-Zulassung
-----	--	---------------

Phoenix Contact 2018 © - all rights reserved
<http://www.phoenixcontact.com>

PHOENIX CONTACT GmbH & Co. KG
Flachmarktstr. 8
32825 Blomberg
Germany
Tel. +49 5235 300
Fax +49 5235 3 41200
<http://www.phoenixcontact.com>