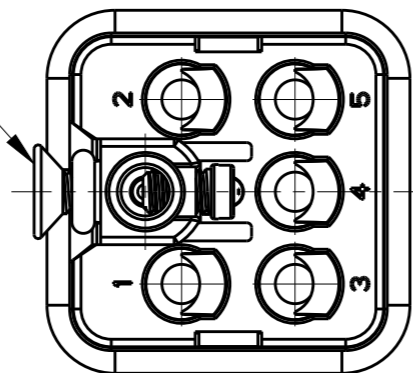


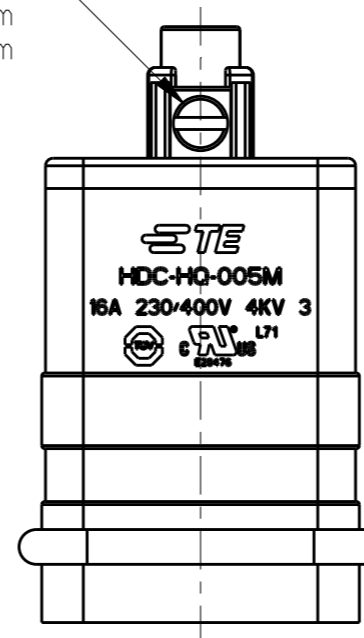
REVISIONS

P	LTR	DESCRIPTION	DATE	DWN	APVD
B		ECR-15-014706	09OCT2015	DL	CW
B1		ECR-15-016505	11NOV2015	DL	CW
B2		ECR-16-009730	06JUL2016	BS	CW
B3		ECR-16-018198	10FEB2017	QY	CW

M3 SCREW RECOMMENDED
TIGHTENING TORQUE 0.2Nm
M3螺丝 推荐锁紧力矩0.2Nm



M3 SCREW RECOMMENDED
TIGHTENING TORQUE 0.2Nm
M3螺丝 推荐锁紧力矩0.2Nm

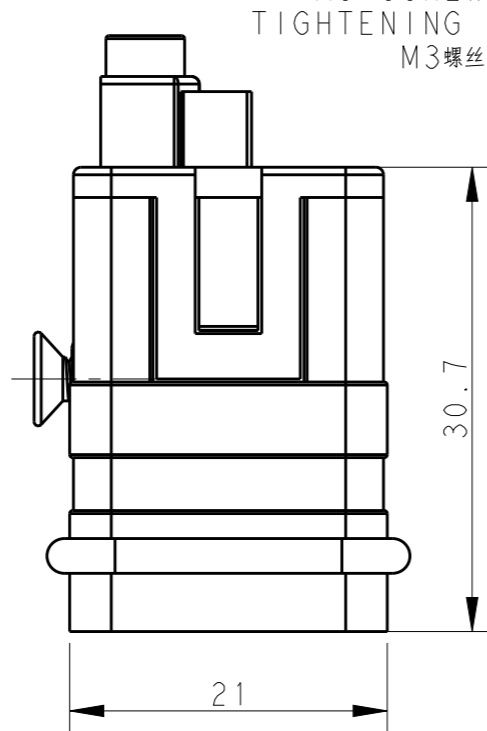
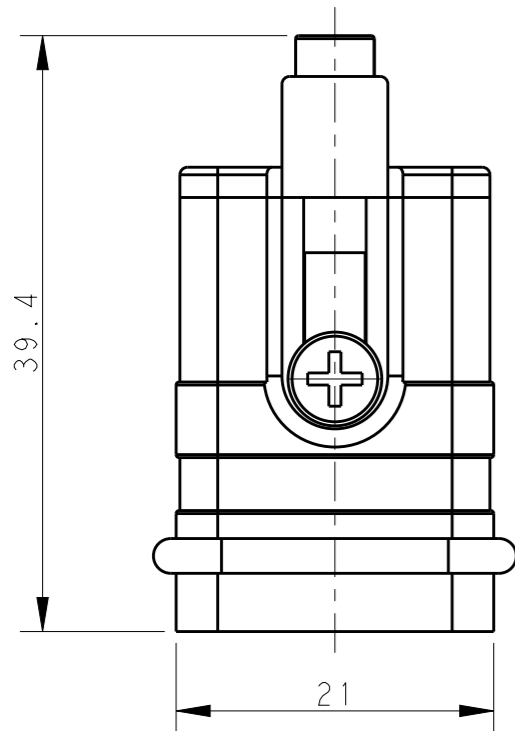


NOTES:

- TECHNICAL CHARACTERISTICS:
INSULATION MATERIAL: PC
RATED VOLTAGE: 400 V
RATED CURRENT: 16 A
INSULATION RESISTANCE: >=400MΩ
RATED IMPULSE VOLTAGE: 4 KV
POLLUTION DEGREE: 3
FLAMMABILITY: UL94V-0
MATING CYCLES: 500 CYCLES
WIRE RANGE: 0.14-4.0 mm² (26-12 AWG)
CONTACT TYPE: CRIMP CONTACT
- CONTACT NEED TO BE ORDERED SEPARATELY.
(ORDER No. REFER TO DRAWING:T20300X10XX000)

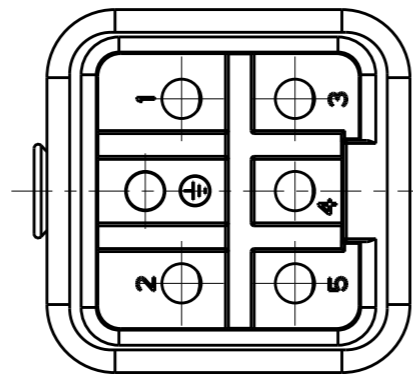
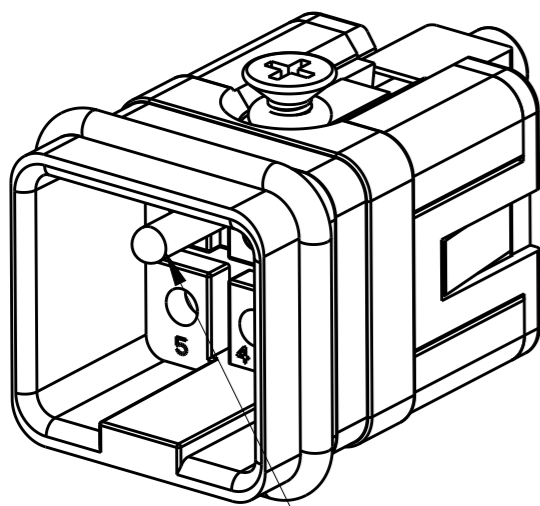
注释:

- 技术参数:
绝缘材料: PC
额定电压: 400V
额定电流: 16A
绝缘电阻: >=400MΩ
额定脉冲电压: 4 KV
污染等级: 3
阻燃等级: UL94V-0
插拔次数: 500次
接线范围: 0.14-4.0 mm² (26-12 AWG)
接线类型: 冷压接
- 端子需要单独订购。
(订货号参考图面: T20300X10XX000)



TYPE-1:T2080052101-000 TE LOGO
类 型-1:T2080052101-000 TE LOGO

TYPE-2:T2080052101-001 STAINLESS STEEL SCREW,TE LOGO
类 型-2:T2080052101-001 不锈钢螺丝,TE LOGO

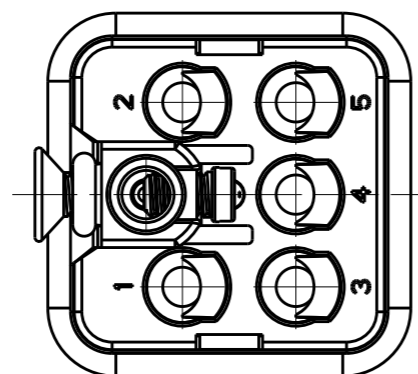


GROUNDING CONTACT TYPE: SCREW CONTACT
GROUNDING CONTACT FINISH: SILVER PLATED
WIRE RANGE: 2.5mm (AWG14)
接地端子类型: 螺丝连接端子/接地端子表面处理: 镀银/接线范围: 2.5mm² (AWG14)

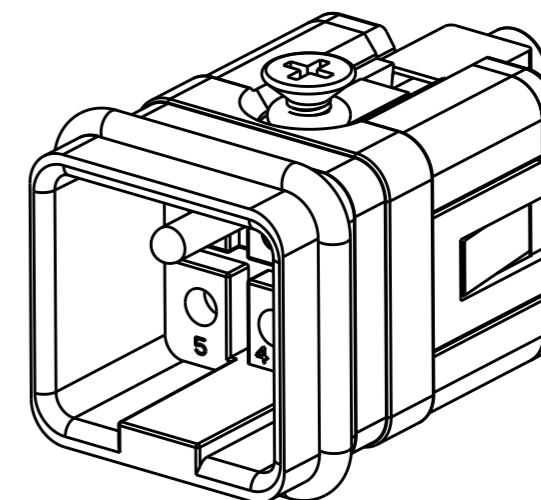
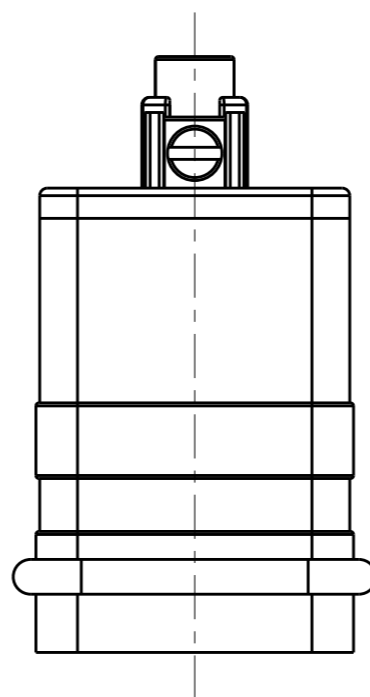
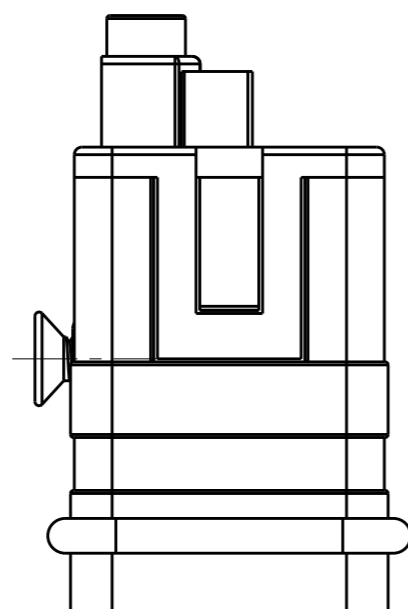
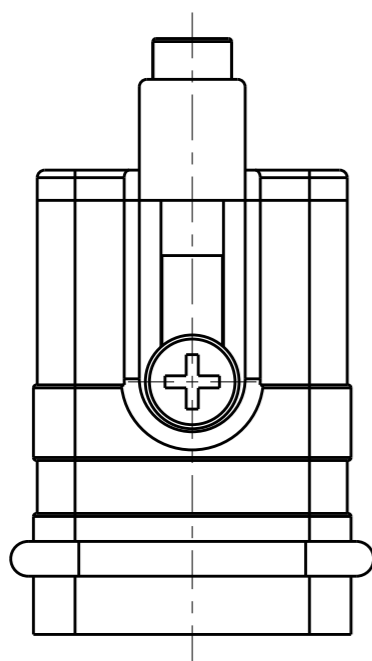
THIS DRAWING IS A CONTROLLED DOCUMENT.		DWN 10JAN2015 David Wang	TE Connectivity		
		CHK 10JAN2015 Chris Wang			
		APVD 10JAN2015 Xiang Xu	NAME HQ-005-M		
DIMENSIONS: mm		PRODUCT SPEC 108-137054	RESTRICTED TO		
TOLERANCES UNLESS OTHERWISE SPECIFIED: 0 PLC ±- 1 PLC ±- 2 PLC ±- 3 PLC ±- 4 PLC ±- ANGLES ±-		APPLICATION SPEC 114-137054	SIZE A3	CAGE CODE 00779	DRAWING NO T2080052101000
MATERIAL	FINISH	WEIGHT	SCALE 2:1		
-	-	-	SHEET 1 OF 2		
Customer Drawing		REV B3			

REVISIONS

P	LTR	DESCRIPTION	DATE	DWN	APVD
-		SEE SHEET 1	-	-	-

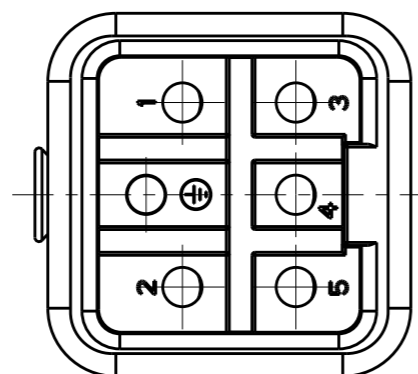


NOTES:
SEE SHEET 1
注释:
见页 1




TYPE-3: T2080052101-002 STAINLESS STEEL SCREW, NO LOGO
类型-3: T2080052101-002 不锈钢螺丝, 无LOGO

ALL DIMENSIONS ARE SAME AS TYPE 1,
EXCEPT THOSE DEFINED IN THIS TYPE.
除了在本类型中定义的尺寸外, 其它尺寸同类型 1



T2080052101-002	HQ-005-M	HQ-005 MALE INSERT, STAINLESS STEEL SCREW, NO LOGO HQ-005 公插, 不锈钢螺丝, 无LOGO	TYPE-3 类型-3
T2080052101-001	HQ-005-M	HQ-005 MALE INSERT, STAINLESS STEEL SCREW HQ-005 公插, 不锈钢螺丝	TYPE-2 类型-2
T2080052101-000	HQ-005-M	HQ-005 MALE INSERT HQ-005 公插	TYPE-1 类型-1
PART NUMBER 料号	PART DESCRIPTION 描述		TYPE 类型

THIS DRAWING IS A CONTROLLED DOCUMENT.		DWN 10JAN2015 David Wang	 TE Connectivity		
DIMENSIONS: mm		CHK 10JAN2015 Chris Wang			NAME HQ-005-M
TOLERANCES UNLESS OTHERWISE SPECIFIED: 0 PLC ±- 1 PLC ±- 2 PLC ±- 3 PLC ±- 4 PLC ±- ANGLES ±-		APVD 10JAN2015 Xiang Xu			PRODUCT SPEC 108-137054
MATERIAL -		FINISH -	APPLICATION SPEC 114-137054	SIZE A3	
			WEIGHT -	CAGE CODE 00779	
				DRAWING NO T2080052101000	
				RESTRICTED TO -	
				SCALE 2:1 SHEET 2 OF 2 REV B3	
				Customer Drawing	