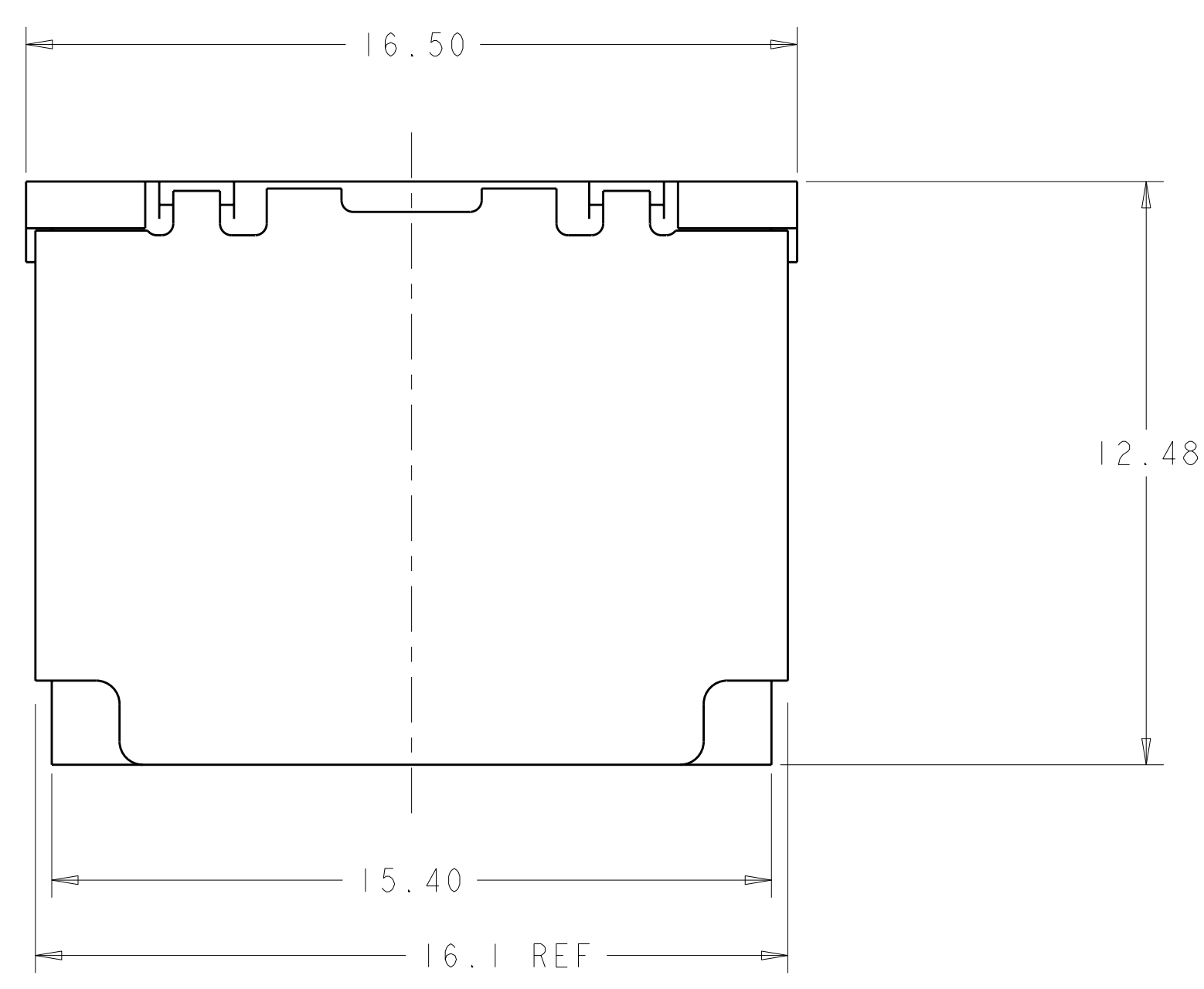


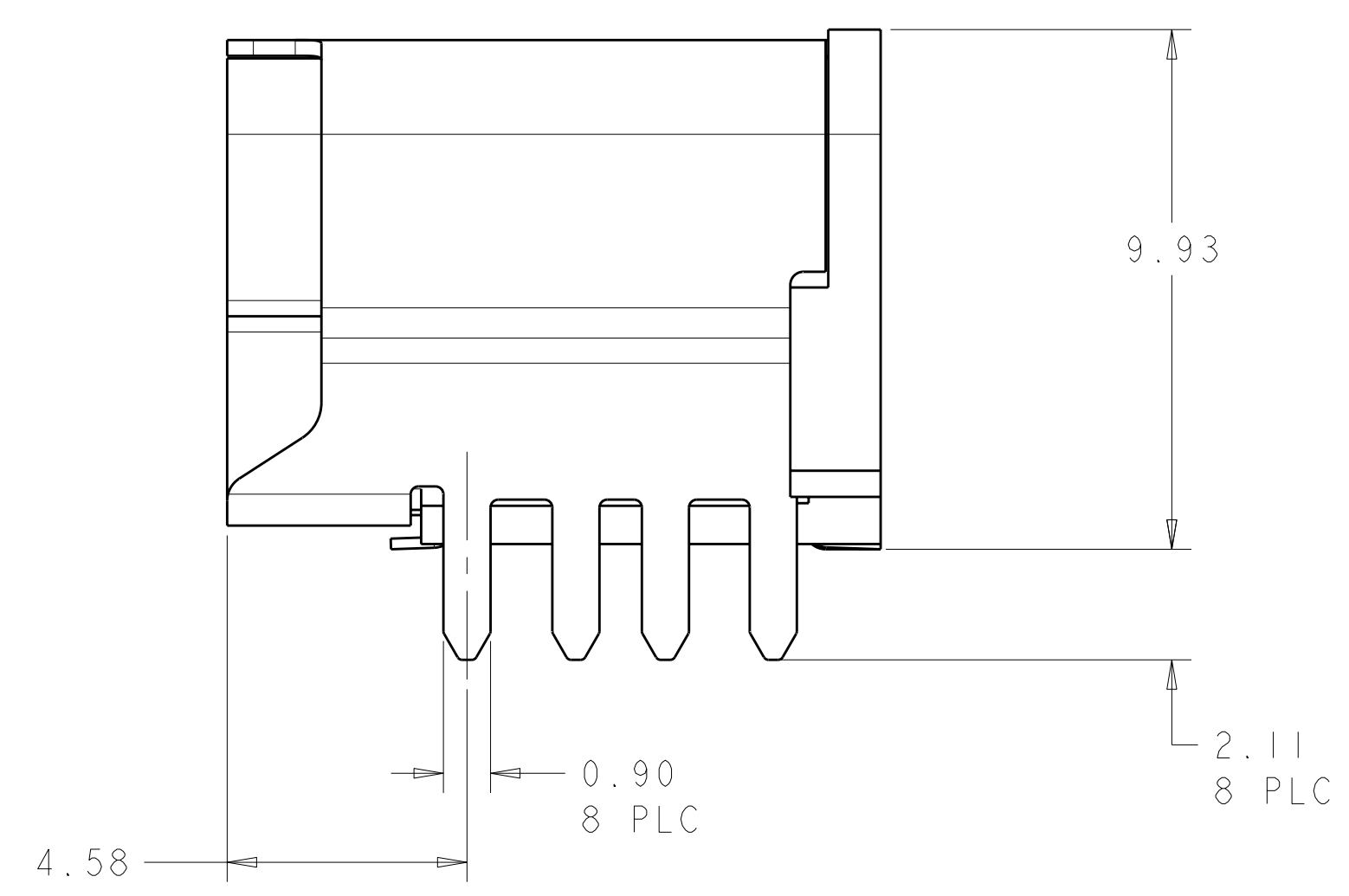
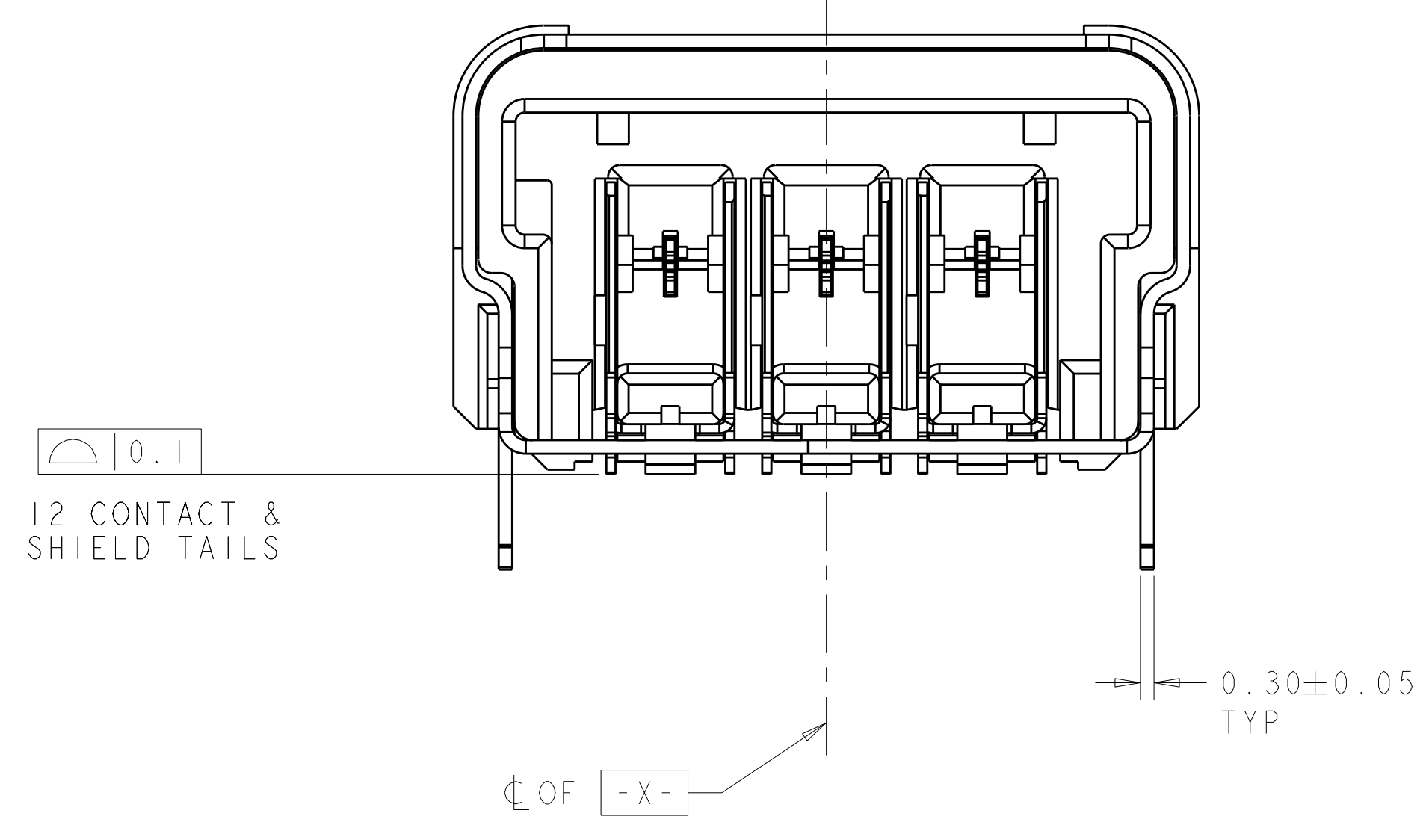
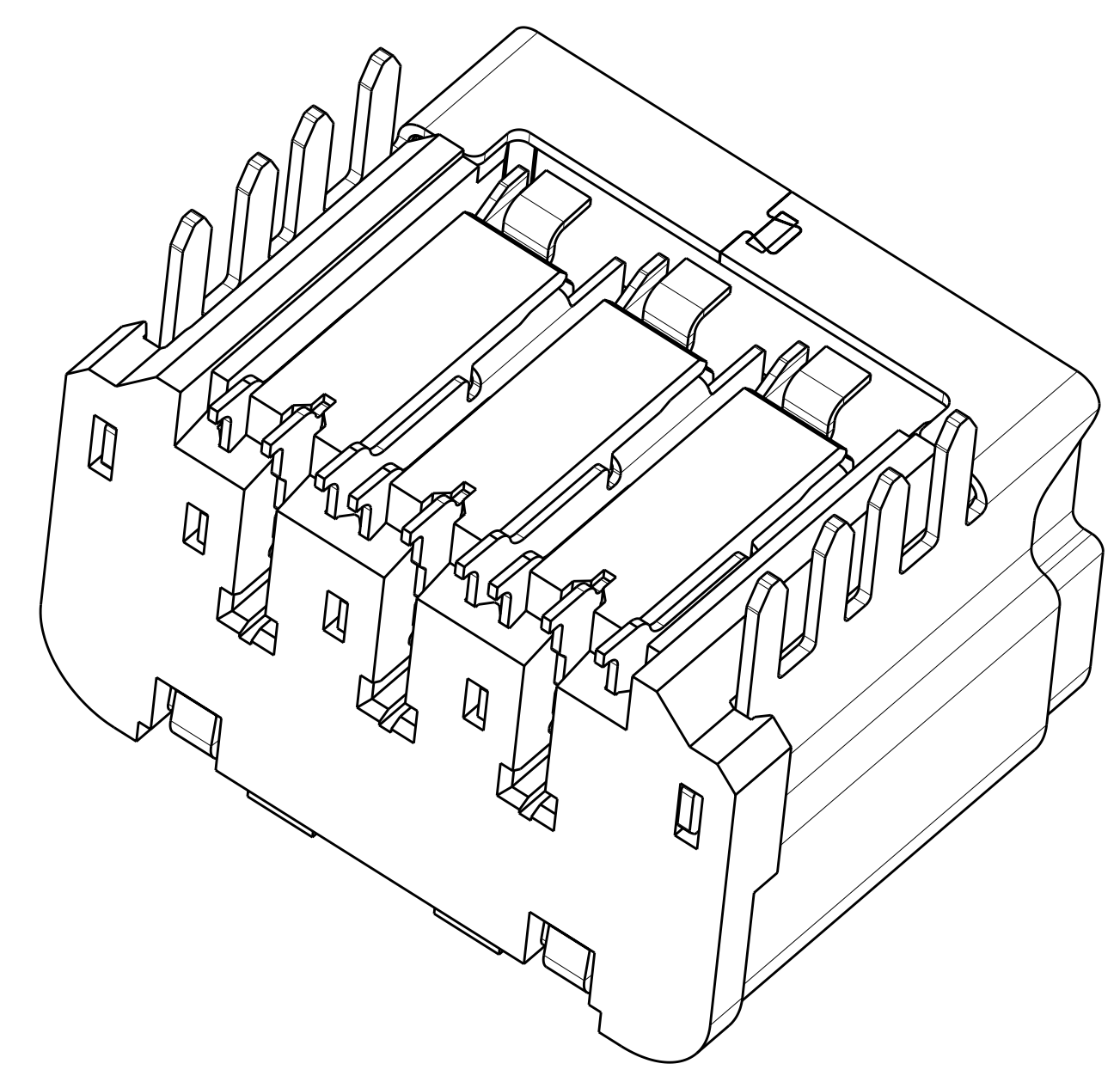
LOC	DIST	REVISIONS			
P	LTN	DESCRIPTION	DATE	DWN	APVD
AJ	00	A1	REVISED PER ECO-11-005027	18MAR2011	RK HMR



1 MATERIAL:
 HOUSING: LCP UL94V0, COLOR - BLACK
 CONTACTS, SHIELDS - COPPER ALLOY
 SHELL - STEEL

2 PLATING:
 CONTACTS:
 CONTACT AREA - CONFORMS TO THE REQUIREMENT OF EIA/ECA-364-1000.01A
 (CONTROLLED ENVIRONMENT APPLICATIONS), AND TE CONNECTIVITY
 PRODUCT SPECIFICATION 108-2324
 SOLDER TAIL - Sn OVER Ni
 SHIELDS: Ag OVER Ni
 SHELL: Sn OVER Ni OVER Cu

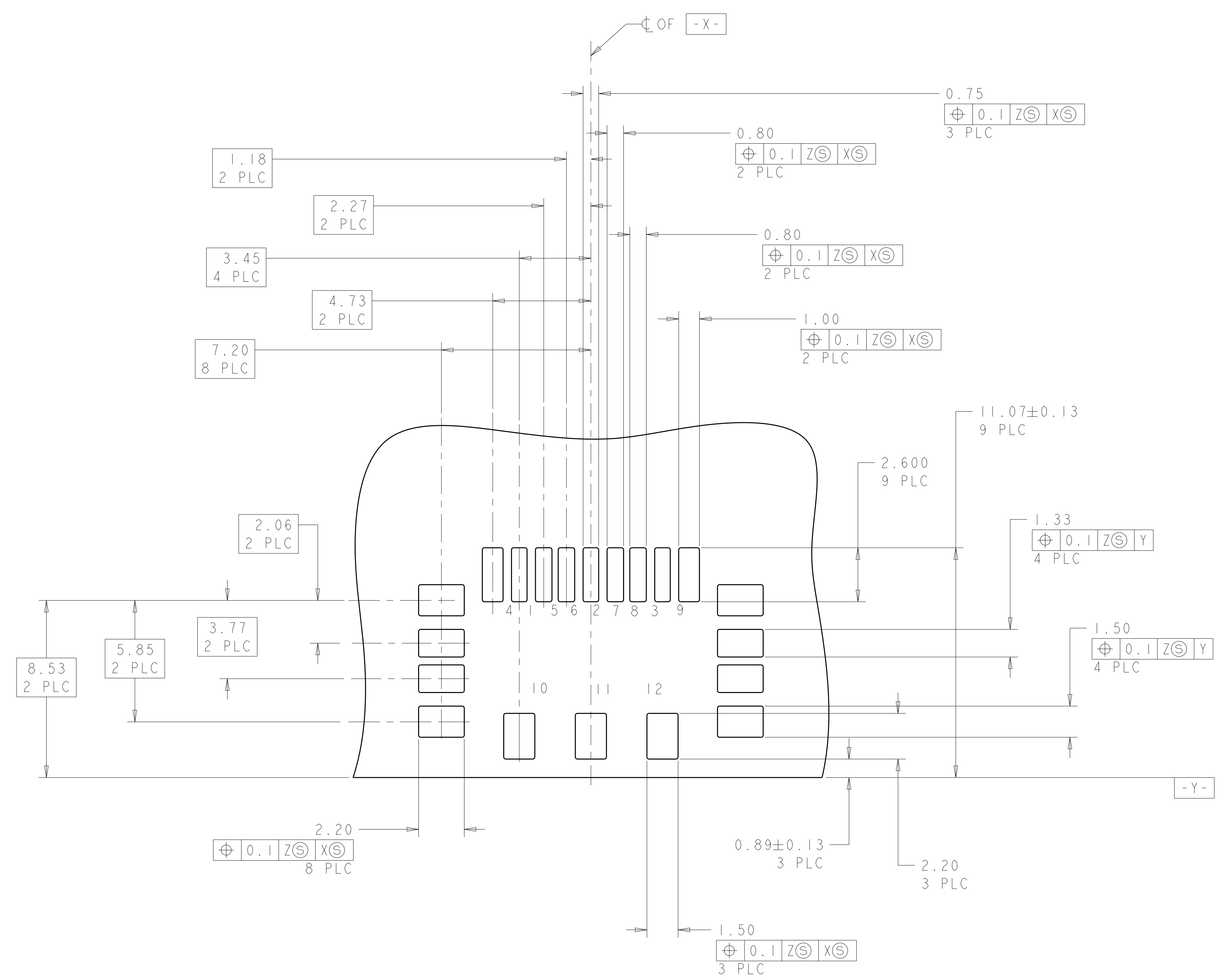
3. PRODUCT HAS NOT COMPLETED QUALIFICATION TESTING



2016032-1
 PART NUMBER

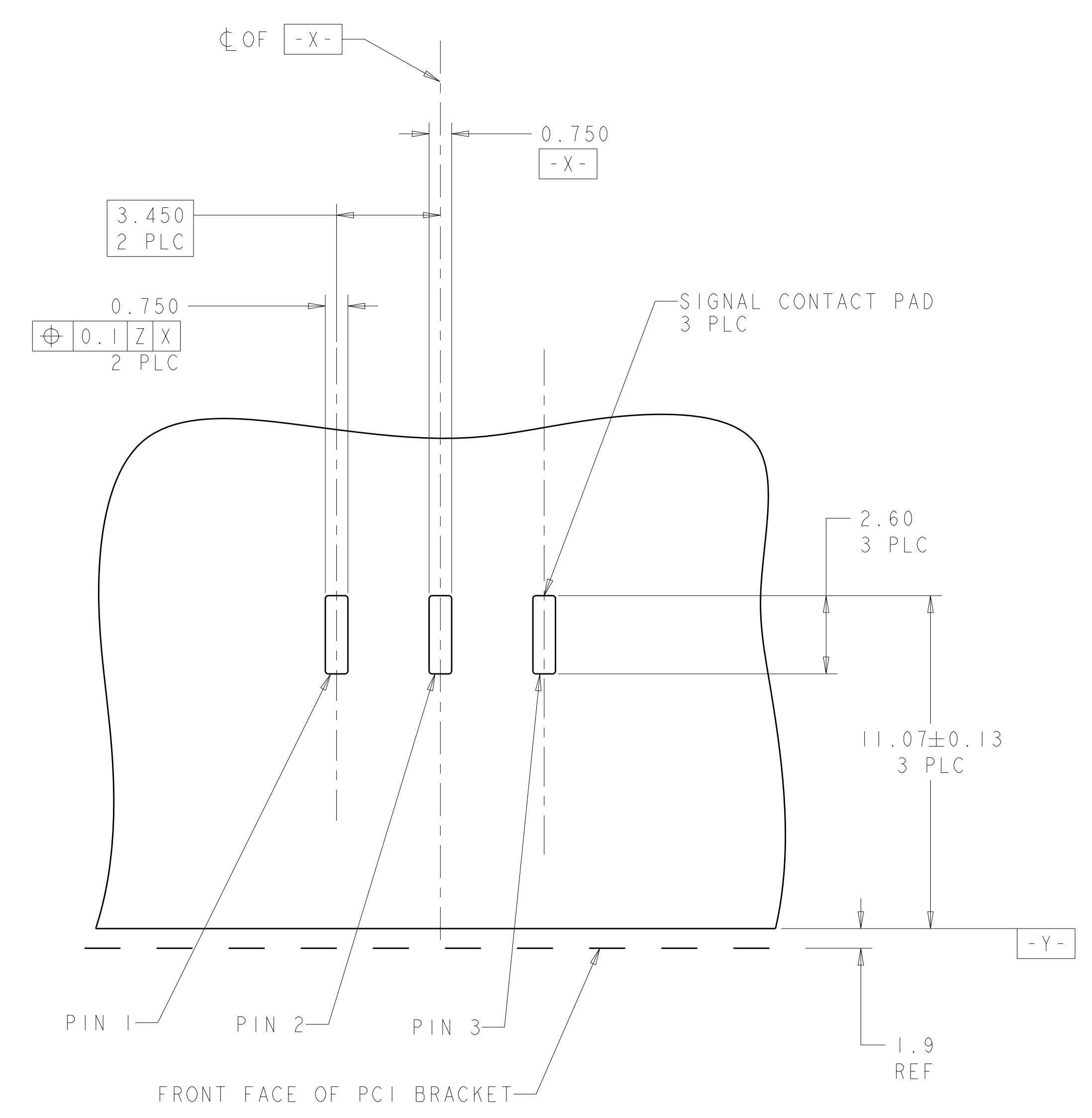
THIS DRAWING IS A CONTROLLED DOCUMENT.		DWN: HAMNER 22JAN2008	TE Connectivity
DIMENSIONS: mm		CHK: JJ CONSOLI 15FEB2008	
TOLERANCES UNLESS OTHERWISE SPECIFIED:		APVD: JJ CONSOLI 15FEB2008	NAME: PCB JACK, 3 PORT QSL, RIGHT ANGLE, THROUGH-HOLE, W/O PANEL FLANGES
0 PLC ±	1 PLC ±0.13	PRODUCT SPEC: 108-2324	SIZE: A100779
2 PLC ±0.13	3 PLC ±0.013	APPLICATION SPEC: 114-5397	CAGE CODE: C=2016032
4 PLC ±	ANGLES ±	WEIGHT: -	RESTRICTED TO: -
MATERIAL: 1	FINISH: 2	CUSTOMER DRAWING	SCALE: 8:1 SHEET 1 OF 5 REV: A1

LOC	DIST	REV	DATE	BY	APPD
AJ	00				
REVISIONS			DESCRIPTION	DATE	DWN
			SEE SHEET 1		



RECOMMENDED PCB STENCIL LAYOUT

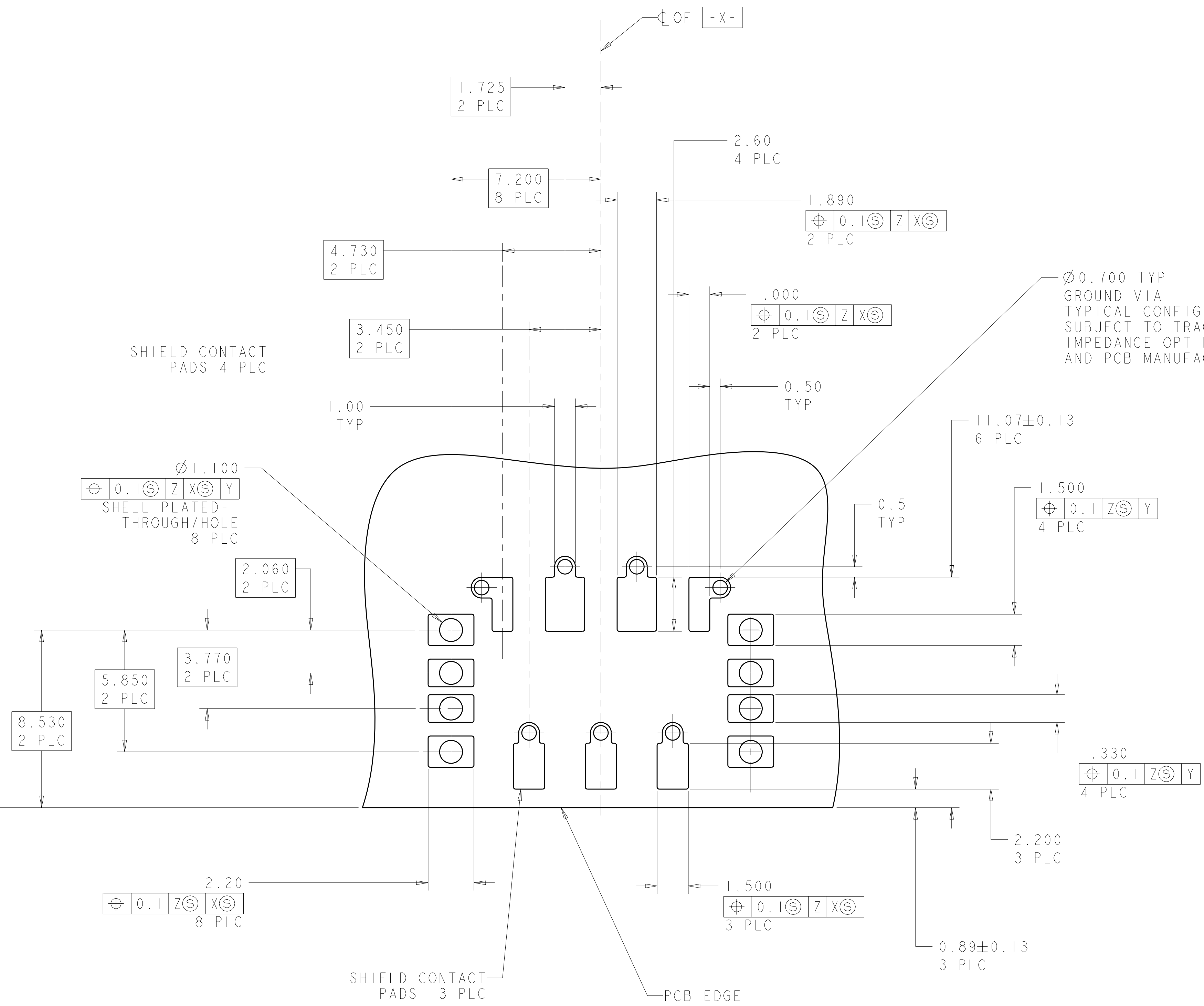
CIRCUIT "A" SIGNAL CONTACT PAD: #1
 CIRCUIT "A" GROUND CONTACT PADS: #4, 5, 10
 CIRCUIT "B" SIGNAL CONTACT PAD: #2
 CIRCUIT "B" GROUND CONTACT PADS: #6, 7, 11
 CIRCUIT "C" SIGNAL CONTACT PAD: #3
 CIRCUIT "C" GROUND CONTACT PADS: #8, 9, 12
 EIGHT UNMARKED PADS w/PLATED-THROUGH HOLES ARE FOR SHELL MECHANICAL HOLDDOWN TAILS



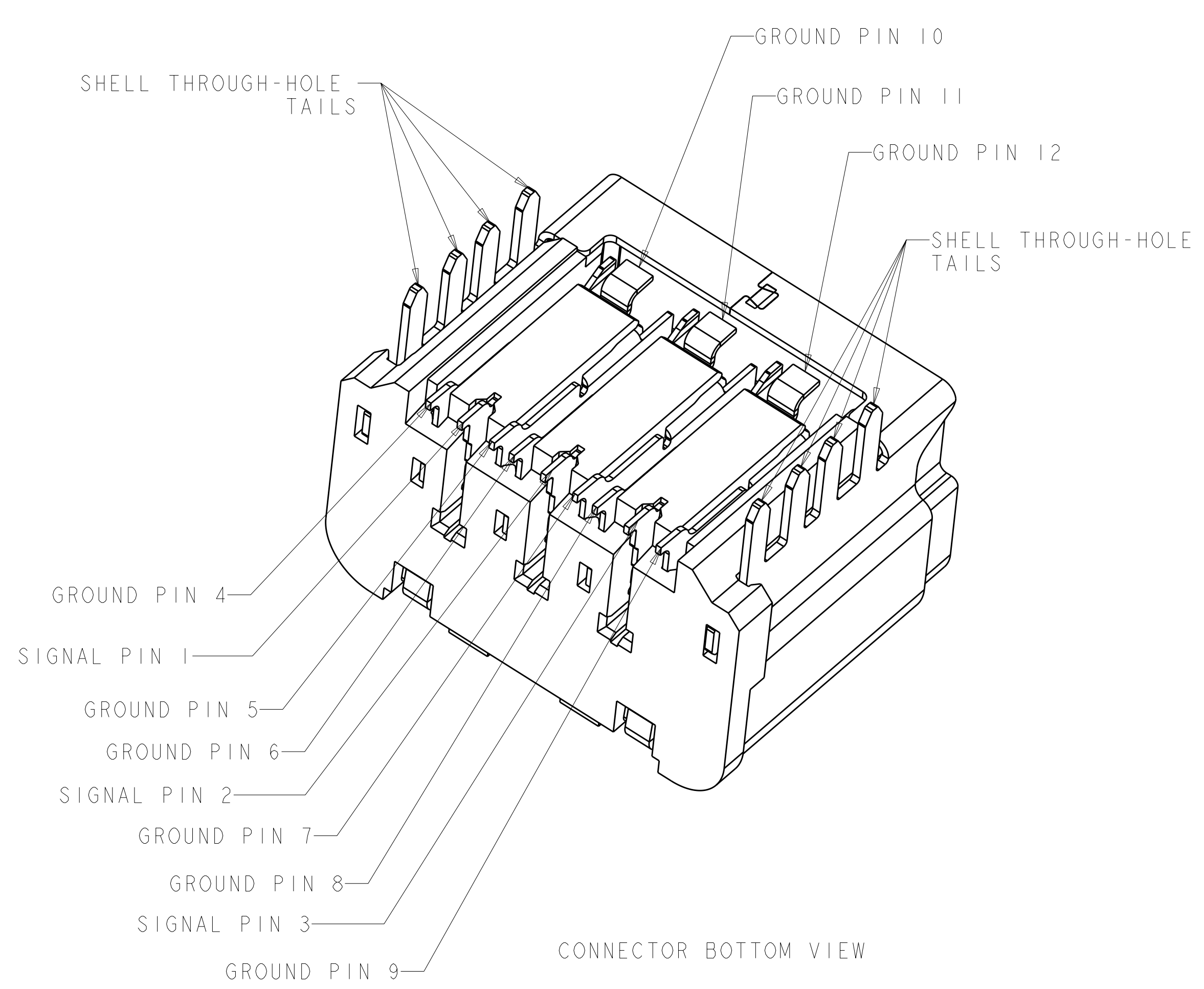
RECOMMENDED PCB LAYOUT TOP SIGNAL LAYER PADS

THIS DRAWING IS A CONTROLLED DOCUMENT.		DWN: HAMNER 22JAN2008	TE Connectivity
DIMENSIONS: mm		CHK: J.J. CONSOLI 15FEB2008	
TOLERANCES UNLESS OTHERWISE SPECIFIED: 9 PLC ± 2 PLC ±0.13 5 PLC ±0.013 4 PLC ± ANGLES ±		APVD: J.J. CONSOLI 15FEB2008	NAME: PCB JACK, 3 PORT QSL, RIGHT ANGLE, THROUGH-HOLE, W/O PANEL FLANGES
MATERIAL: FINISH:		PRODUCT SPEC: 108-2324	SIZE: CAGE CODE: DRAWING NO: A100779C=2016032
		APPLICATION SPEC: 114-5397	RESTRICTED TO:
		WEIGHT: -	SCALE: 8:1 SHEET 2 OF 5 REV A1
		CUSTOMER DRAWING	

LOC	DIST	REV	DATE	BY	APPD
AJ	00				
REVISIONS			DESCRIPTION	DATE	DWN
			SEE SHEET 1		



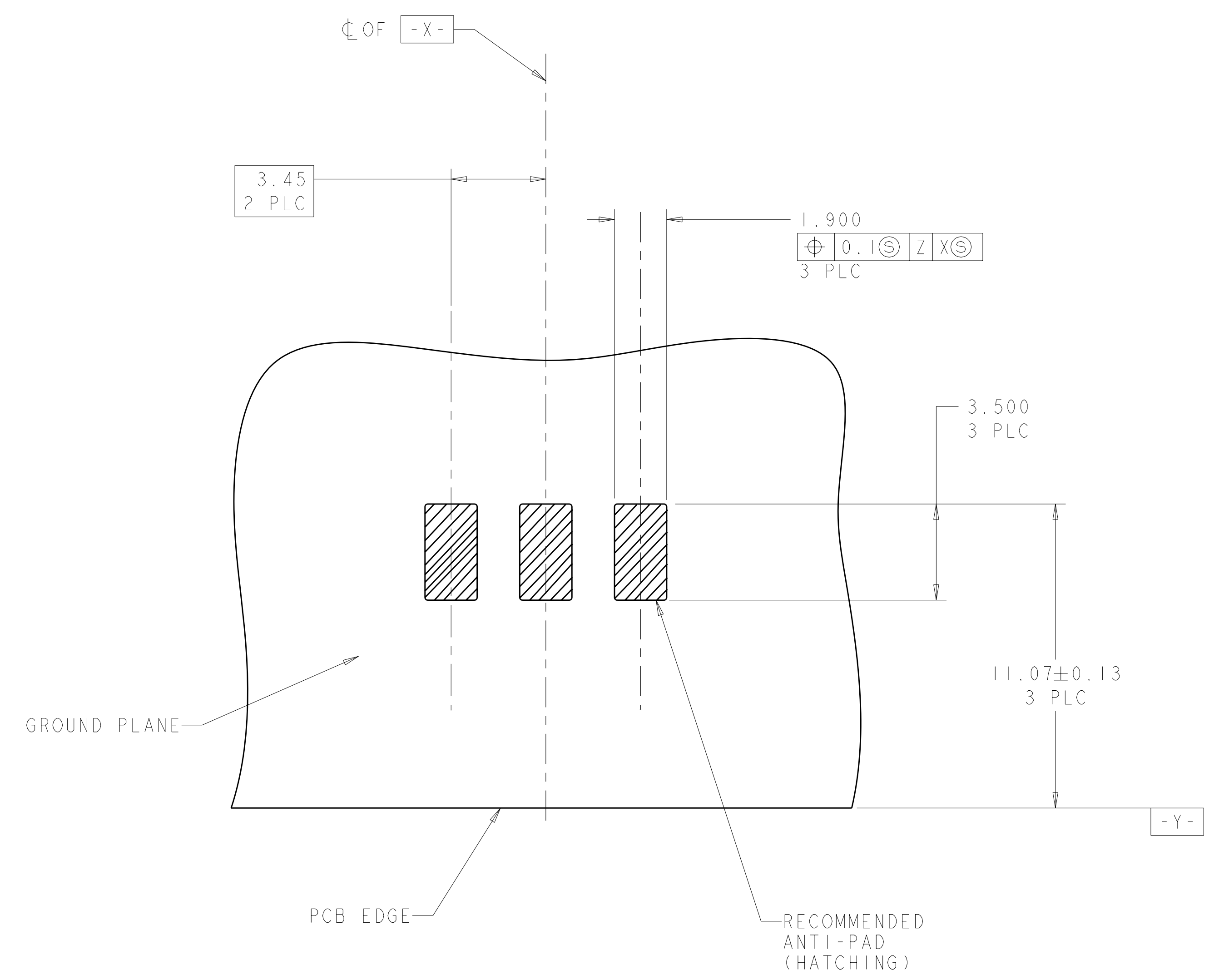
RECOMMENDED PCB LAYOUT
TOP GROUND LAYER WITH DISCRETE PADS



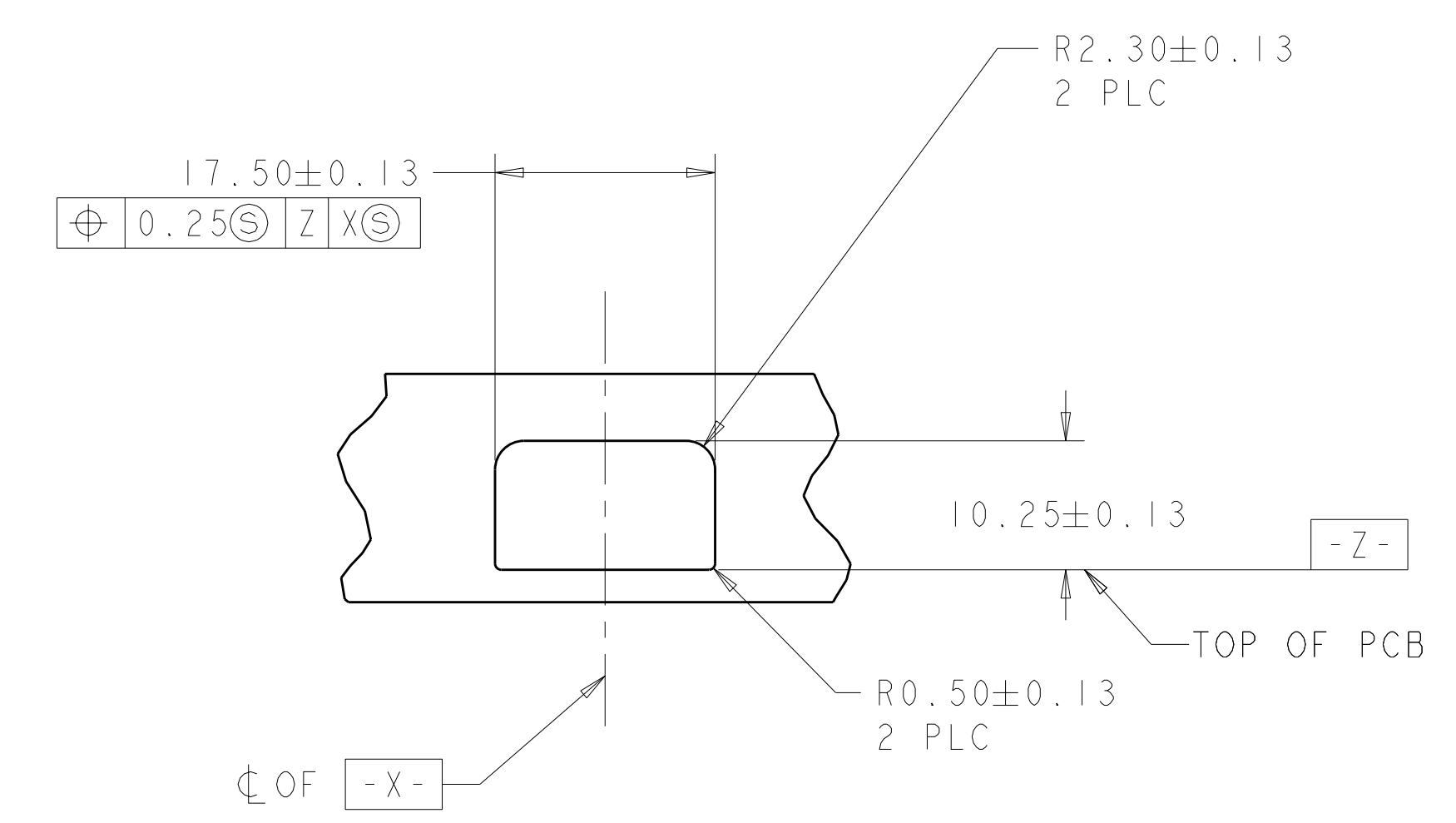
CONNECTOR BOTTOM VIEW

THIS DRAWING IS A CONTROLLED DOCUMENT.		OWN: HAMNER 22JAN2008	TE Connectivity
DIMENSIONS: mm		CHK: J.J. CONSOLI 15FEB2008	
TOLERANCES UNLESS OTHERWISE SPECIFIED:		APVD: J.J. CONSOLI 15FEB2008	NAME: PCB JACK, 3 PORT QSL, RIGHT ANGLE, THROUGH-HOLE, W/O PANEL FLANGES
	0 PLC ± 1 PLC ±0.13 3 PLC ±0.013 4 PLC ± ANGLES ±	PRODUCT SPEC: 108-2324	SIZE: CAGE CODE DRAWING NO: A1100779
MATERIAL:	FINISH:	APPLICATION SPEC: 114-5397	RESTRICTED TO: -
CUSTOMER DRAWING		WEIGHT: -	SCALE: 8:1 SHEET 3 OF 5 REV: A1

LOC	DIST	REV	DATE	BY	APPV
AJ	00				
REVISIONS			DESCRIPTION	DATE	DWN
			SEE SHEET 1		



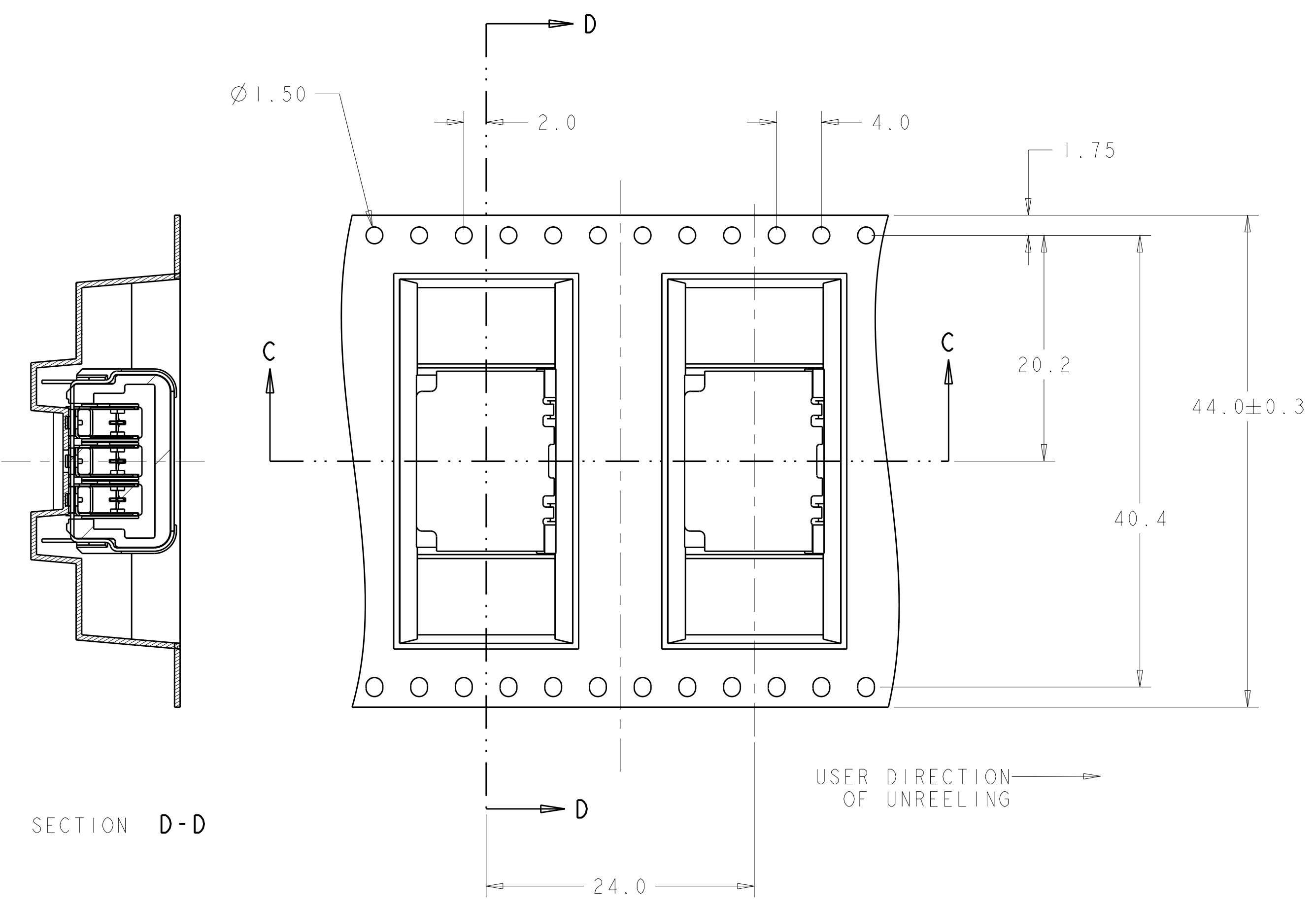
RECOMMENDED PCB LAYOUT
 OF ANTIPADS FOR ALL GROUND AND POWER LAYERS



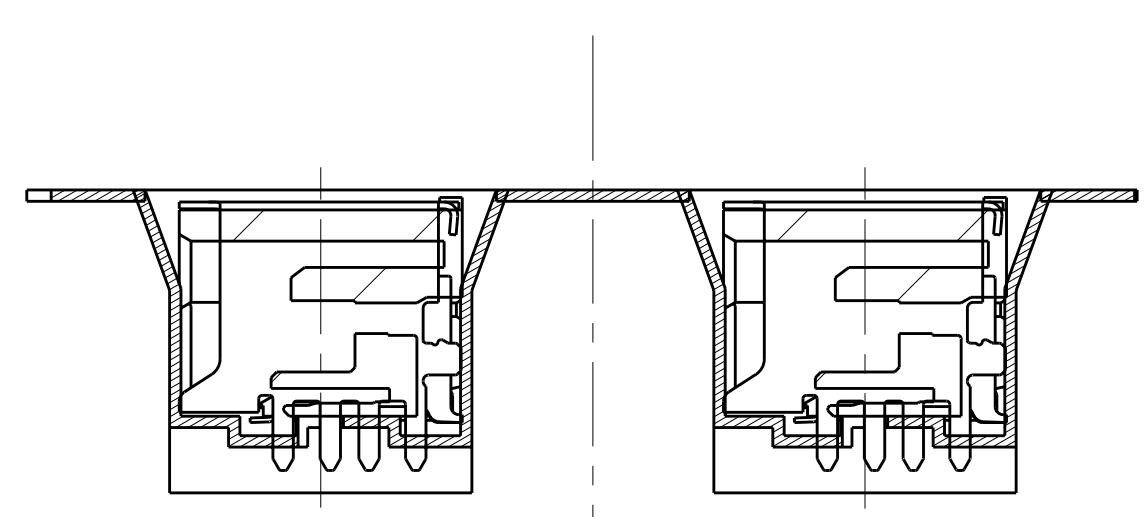
RECOMMENDED BRACKET CUT-OUT
 SCALE 2:1

THIS DRAWING IS A CONTROLLED DOCUMENT.		DWN	HAMNER	22 JAN 2008	TE Connectivity
DIMENSIONS:		CHK	JJ CONSOLI	15 FEB 2008	
mm	TOLERANCES UNLESS OTHERWISE SPECIFIED:	APVD	JJ CONSOLI	15 FEB 2008	NAME
0 PLC ± 1 PLC ± 2 PLC ±0.13 3 PLC ±0.013 4 PLC ± ANGLES ± FINISH ±	0 PLC ± 1 PLC ± 2 PLC ±0.13 3 PLC ±0.013 4 PLC ± ANGLES ± FINISH ±	PRODUCT SPEC	108-2324	APPLICATION SPEC	PCB JACK, 3 PORT QSL, RIGHT ANGLE, THROUGH-HOLE, W/O PANEL FLANGES
MATERIAL	FINISH	WEIGHT	114-5397	SIZE	CAGE CODE
				A100779	C=2016032
CUSTOMER DRAWING				SCALE	8:1
				SHEET	4 OF 5
				REV	A1

LOC	DIST	REVISIONS			
P	LTG	DESCRIPTION	DATE	DWN	APVD
AJ	00	SEE SHEET 1	-	-	-

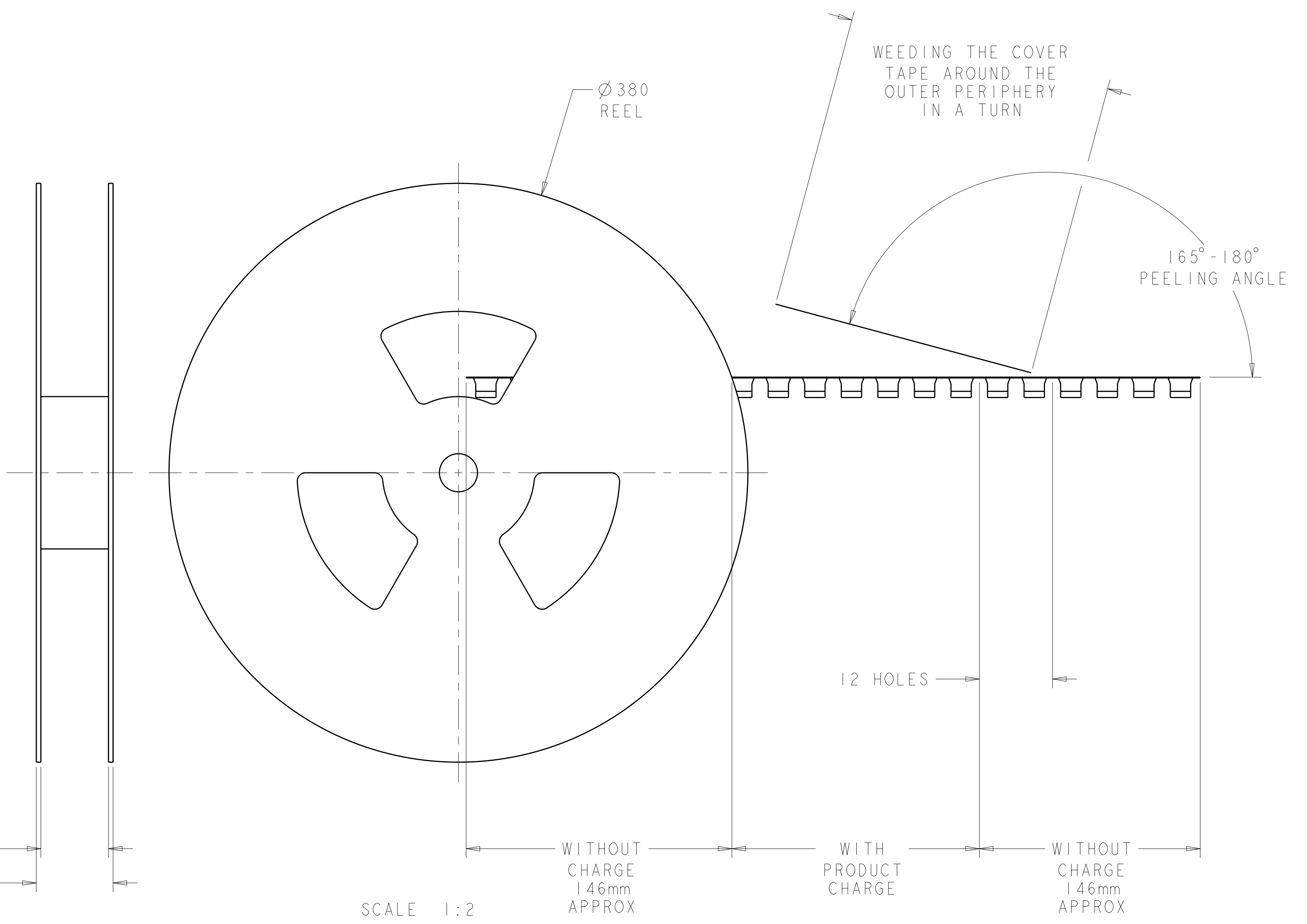


SCALE 3:1



SECTION C-C

44.4 REF
50.4 REF



SCALE 1:2

270 PIECES/REEL

THIS DRAWING IS A CONTROLLED DOCUMENT.		DWN: HAMNER 22JAN2008	TE Connectivity
DIMENSIONS: mm		CHK: JJ CONSOLI 15FEB2008	
TOLERANCES UNLESS OTHERWISE SPECIFIED:		APVD: JJ CONSOLI 15FEB2008	NAME: PCB JACK, 3 PORT QSL, RIGHT ANGLE, THROUGH-HOLE, W/O PANEL FLANGES
0 PLC ±	1 PLC ±0.13	PRODUCT SPEC: 108-2324	SIZE: CAGE CODE DRAWING NO: A100779C=2016032
5 PLC ±0.013	4 PLC ±	APPLICATION SPEC: 114-5397	RESTRICTED TO: -
ANGLES ±	FINISH ±	WEIGHT: -	SCALE: 8:1 SHEET 5 OF 5 REV: A1
MATERIAL: -	FINISH: -	CUSTOMER DRAWING	