



PART NAME

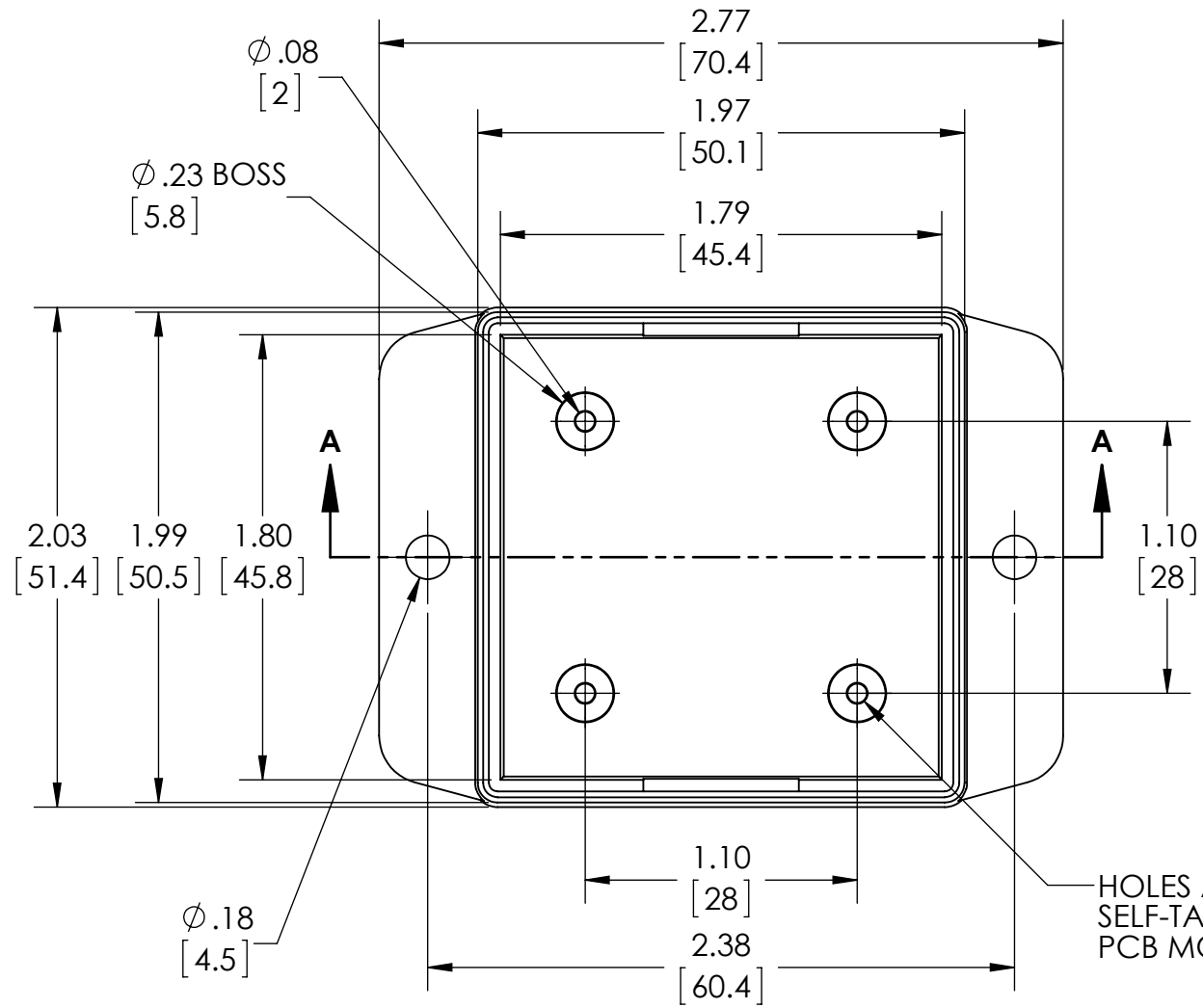
# SNAP UTILITY BOX

PART No.

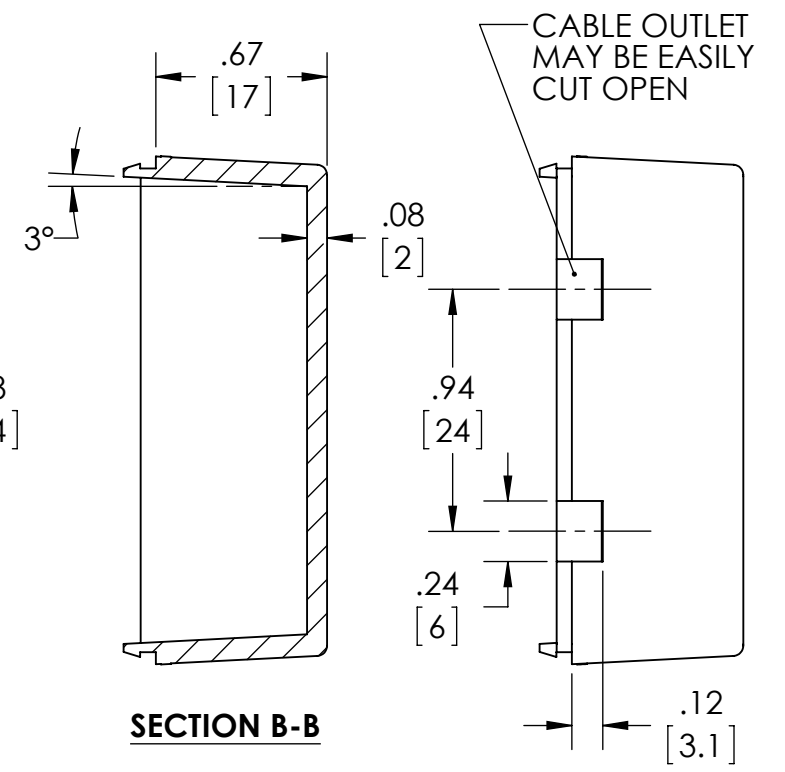
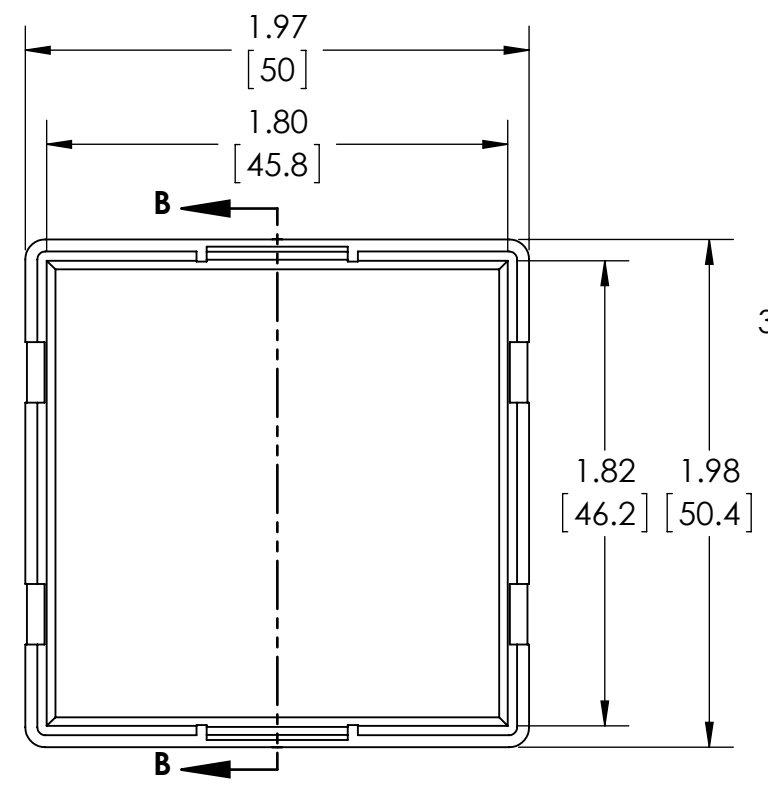
CU-18422-B CU-18422-W

REVISION DATE

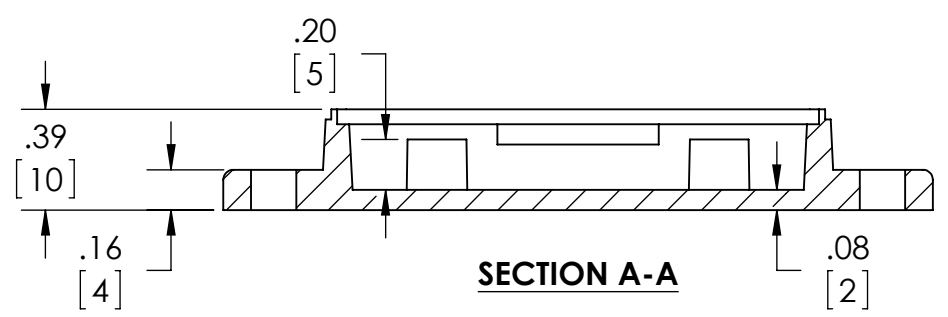
10-7-14



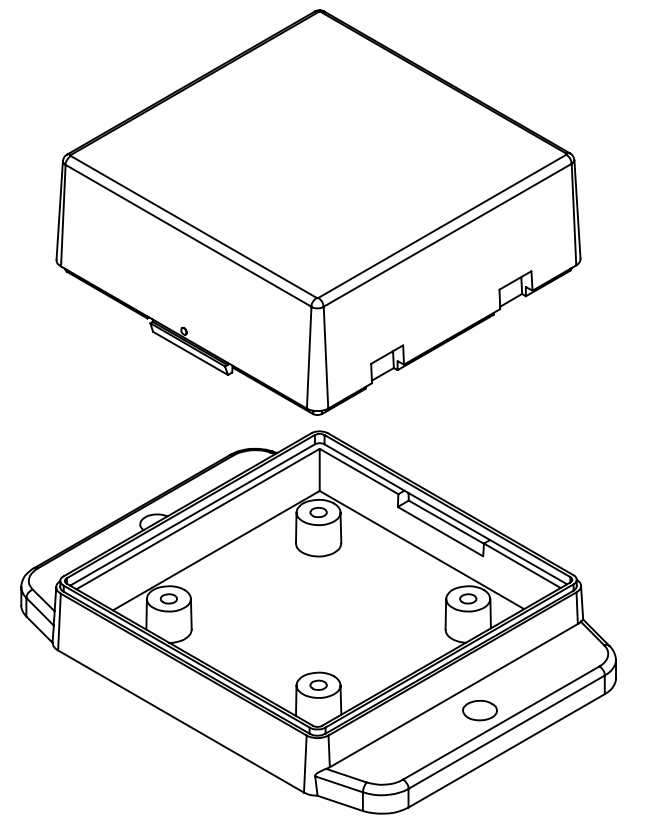
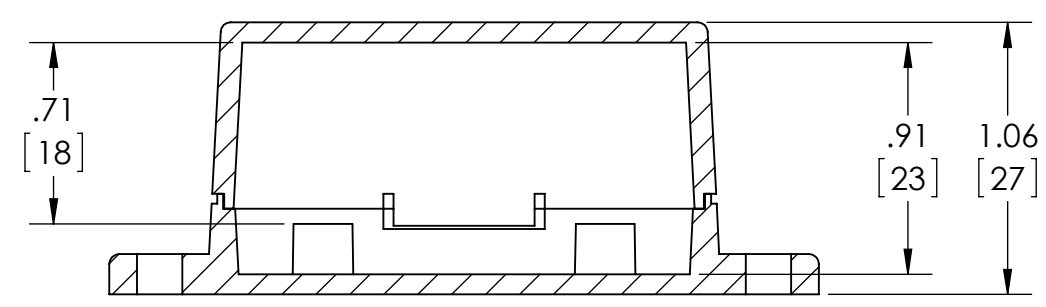
Holes accept M2.6 x 6mm LG. SELF-TAPPING SCREWS FOR PCB MOUNTING



SECTION B-B



SECTION A-A



MATERIAL:  
ABS UL94-HB

COLOR:  
BLACK OR WHITE

DIMENSIONS IN INCH[MM]

DRAWING FOR REFERENCE