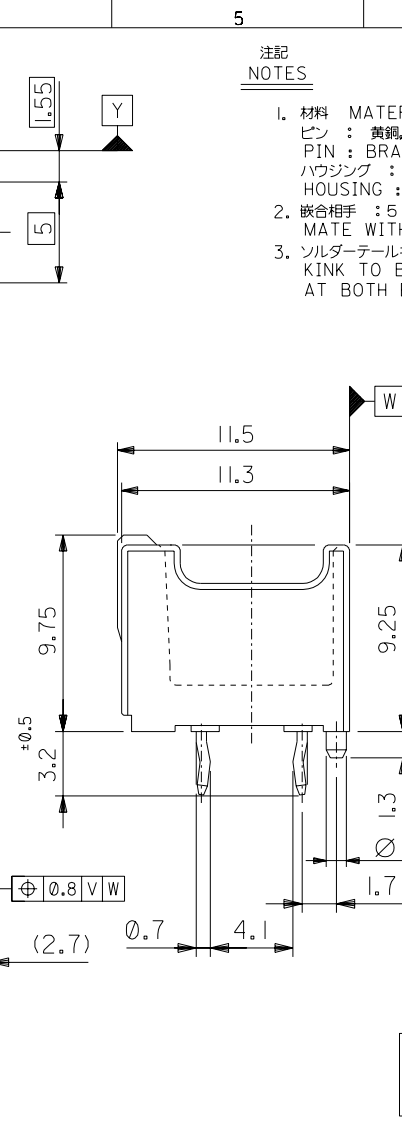
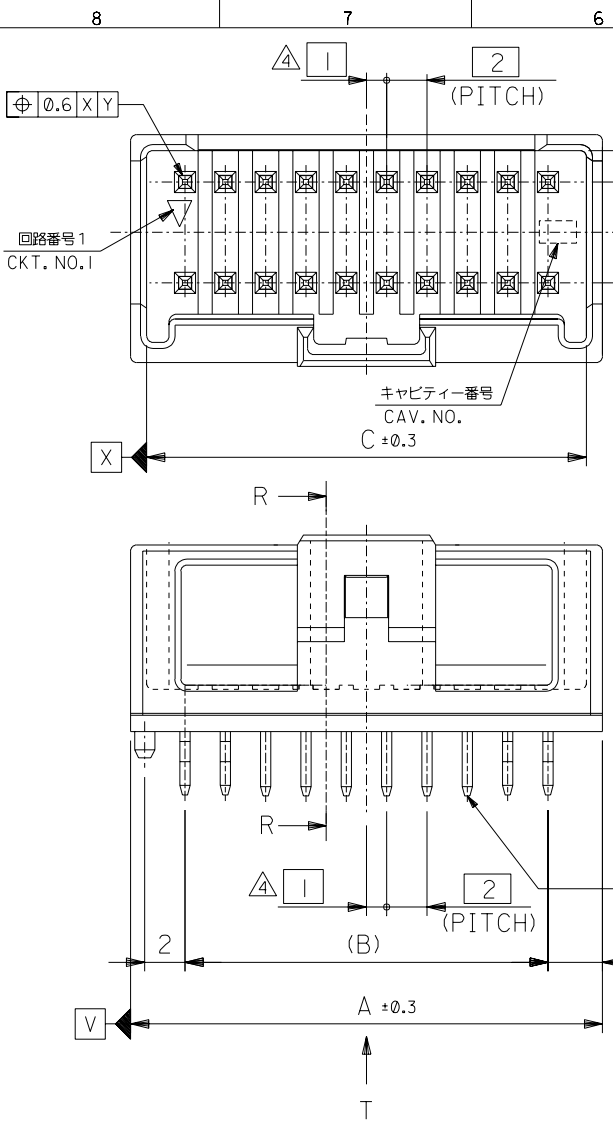


DO NOT SCALE DRAWING



無鉛
LEAD FREE

注記
NOTES

- 材料 MATERIAL
ピン : 黄銅, ニッケル下地鍍メッキ
PIN : BRASS, Sn OVER Ni PLATED
ハウジング : PBT (ガラス入り: 15%), UL94V-0
HOUSING : PBT(G.F.: 15%), UL94V-0
- 嵌合相手 : 51353シリーズ
MATE WITH : 51353 SERIES
- ソルダーテールキンは、両端の8ピンのみとする。
KINK TO BE APPLIED FOR 8 PINS AT BOTH ENDS.

△ (全極数/2) = 偶数の場合に適用。
APPLY FOR (CIRCUIT/2)=EVEN

△ 製品番号
MATERIAL NO.
55917-***|*
極数 CIRCUIT SIZE | 色 COLOR

ナチュラル (白) NATURAL (WHITE)	0
黒 BLACK	1
赤 RED	2
黄 YELLOW	3
青 BLUE	4
桃 PINK	5
緑 GREEN	6
茶 BROWN	7
橙 ORANGE	8
紫 VIOLET	9

41.8	38	43.4	55917-401*	40
39.8	36	41.4	-381*	38
37.8	34	39.4	-361*	36
35.8	32	37.4	-341*	34
33.8	30	35.4	-321*	32
31.8	28	33.4	-301*	30
29.8	26	31.4	-281*	28
27.8	24	29.4	-261*	26
25.8	22	27.4	-241*	24
23.8	20	25.4	-221*	22
21.8	18	23.4	-201*	20
19.8	16	21.4	-181*	18
17.8	14	19.4	-161*	16
15.8	12	17.4	-141*	14
13.8	10	15.4	-121*	12
11.8	8	13.4	-101*	10
9.8	6	11.4	55917-081*	8
C	B	A	MATERIAL NO.	CKT.

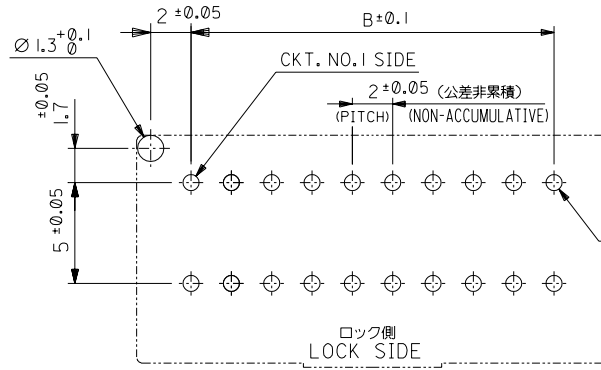
REVISED #64 NO. J2003-3290 DRWN:N.ITO '03/06/26 CHK: K.ASAKAWA APPR:T.YAMAGUCHI	REVISED #63 NO. J2003-3134 DRWN:N.ITO '03/06/19 CHK: K.ASAKAWA APPR:T.YAMAGUCHI	REVISED #62 NO. J2002-2307 DRWN:N.ITO '02/03/18 CHK: K.ASAKAWA APPR:T.YAMAGUCHI	REVISED #61 NO. J2002-1826 DRWN:N.ITO '02/02/28 CHK: K.ASAKAWA APPR:T.YAMAGUCHI	RELEASED #60 NO. J2002-1196 DRWN:N.ITO '01/12/17 CHK: K.ASAKAWA APPR:T.YAMAGUCHI	0
D	C	B	A	0	

MATERIAL 材料	注記参照 SEE NOTES
FINISH 仕上げ	//
WIRE RANGE 適用線径範囲	//
INS. RANGE 被覆外径	//

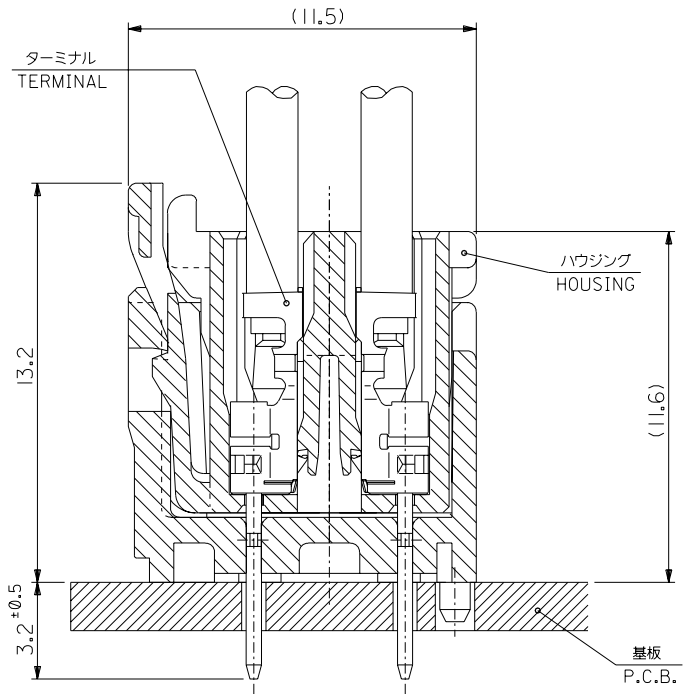
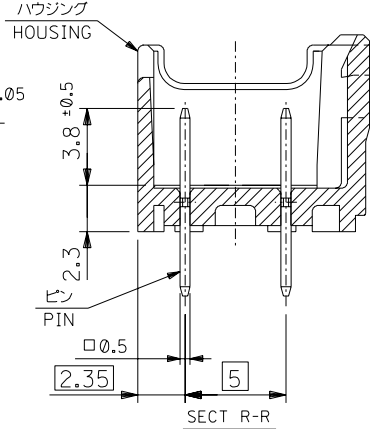
GENERAL TOLERANCES: (UNLESS SPECIFIED) 一般公差	SCALE //	DESIGN UNITS <input checked="" type="checkbox"/> mm <input type="checkbox"/> INCH
10 UNDER 未満	±0.2	
10 OVER 30 UNDER 未満	±0.25	
30 OVER 以上	±0.3	
ANGLE 角度	±3°	

55917-*** *		MODEL NO.	DIMENSIONS: <input type="checkbox"/> mm <input type="checkbox"/> INCH <input checked="" type="checkbox"/> mm ONLY		SHT	REV	
<input checked="" type="checkbox"/> 2RD ANGLE	<input type="checkbox"/> PROJECTION	TITLE: 2.0mm W+-B DUAL CONN DIP PLUG HOUSING ASS'Y ST (WITH BOSS)					
DRAWN BY & DATE N.ITO '01/12/17		MOLEX INCORPORATED					
CHECKED BY & DATE K.ASAKAWA '03/06/26		MATERIAL NO.	DRAWING NO.	SHEET NO.			
APPROVED BY & DATE T.YAMAGUCHI '03/06/26		SEE CHART	SD-55917-003	1 OF 2			
CAD FILENAME 55917003.S01		* THIS DRAWING CONTAINS INFORMATION THAT IS PROPRIETARY TO MOLEX INCORPORATED AND SHOULD NOT BE USED WITHOUT WRITTEN PERMISSION.				SIZE B	

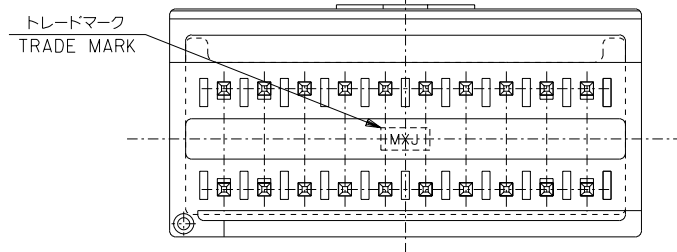
DWG. NO. SD-55917-003



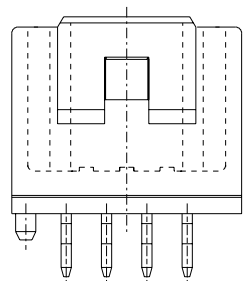
基板取付穴推奨寸法 (マウント面)
RECOMMENDED P.C.BOARD
HOLE DIMENSION
(MOUNTING SIDE)
(t = 1.6)



嵌合断面図 (参考)
MATED DRAWING (REF.)



VIEW *T*



8 CIRCUIT

無鉛
LEAD FREE

DO NOT SCALE DRAWING

REVISED #64NO. J2003-3290 DRWN:N.ITO '03/06/26 CHK: K.ASAKAWA APPR:T.YAMAGUCHI	REVISED #63NO. J2003-3134 DRWN:N.ITO '03/06/19 CHK: K.ASAKAWA APPR:T.YAMAGUCHI	REVISED #62NO. J2002-2307 DRWN:N.ITO '02/03/18 CHK: K.ASAKAWA APPR:T.YAMAGUCHI	REVISED #61NO. J2002-1826 DRWN:N.ITO '02/02/28 CHK: K.ASAKAWA APPR:T.YAMAGUCHI	RELEASED #60NO. J2002-1196 DRWN:N.ITO '01/12/17 CHK: K.ASAKAWA APPR:T.YAMAGUCHI	MATERIAL 材料 注記参照 SEE NOTES	FINISH 仕上げ //	WIRE RANGE 適用線径範囲 //	INS. RANGE 被覆外径 //
--	--	--	--	---	-------------------------------------	---------------------	----------------------------	--------------------------

GENERAL TOLERANCES: (UNLESS SPECIFIED) 一般公差	
10 UNDER 未満	±0.2
10 OVER 30 UNDER 未満	±0.25
30 OVER 以上	±0.3
ANGLE 角度	±3°

55917-***		MODEL NO.	DIMENSIONS:		SHT	REV
SCALE 4:1	DESIGN UNITS mm INCH	PROJECTION 2-BRD ANGLE	mm INCH	mm ONLY	2	ON CAD ONLY
DRAWN BY & DATE N.ITO '01/12/17		TITLE: 2.0mm W-t-B DUAL CONN DIP PLUG HOUSING ASS'Y ST (WITH BOSS)				
CHECKED BY & DATE K.ASAKAWA '03/06/26		APPROVED BY & DATE T.YAMAGUCHI '03/06/26				
CAD FILENAME 55917003.S02		MATERIAL NO. SEE CHART	DRAWING NO. SD-55917-003	SHEET NO. 2 OF 2		
MOLEX INCORPORATED						
* THIS DRAWING CONTAINS INFORMATION THAT IS PROPRIETARY TO MOLEX INCORPORATED AND SHOULD NOT BE USED WITHOUT WRITTEN PERMISSION.						
					SIZE B	