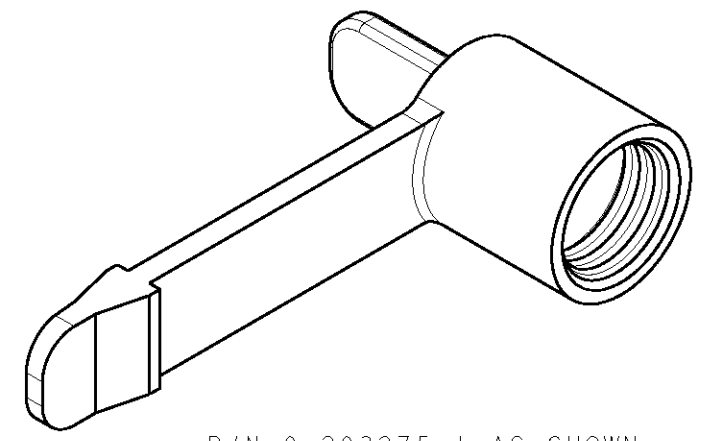
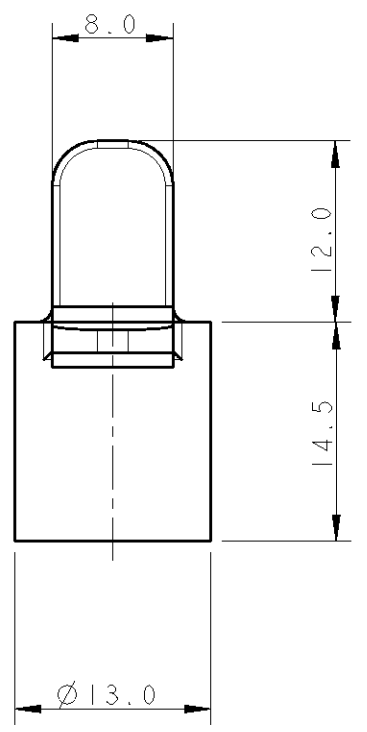
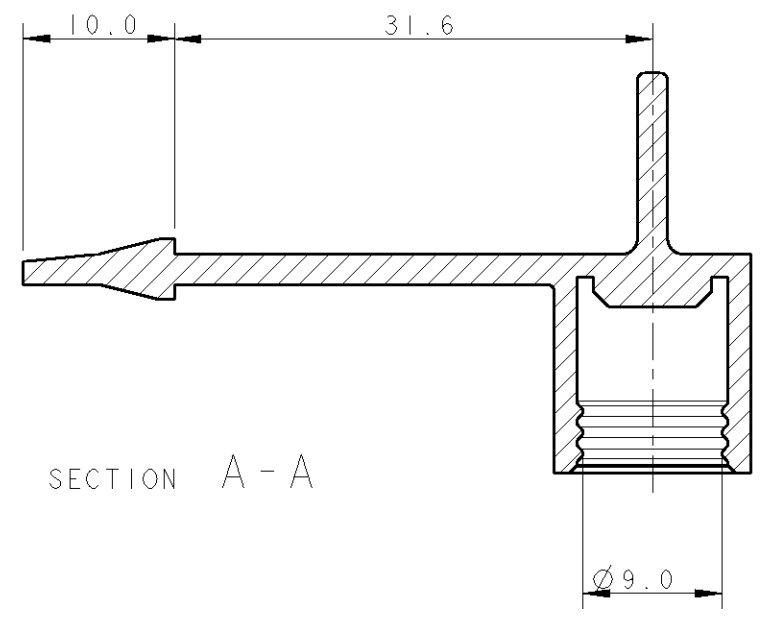
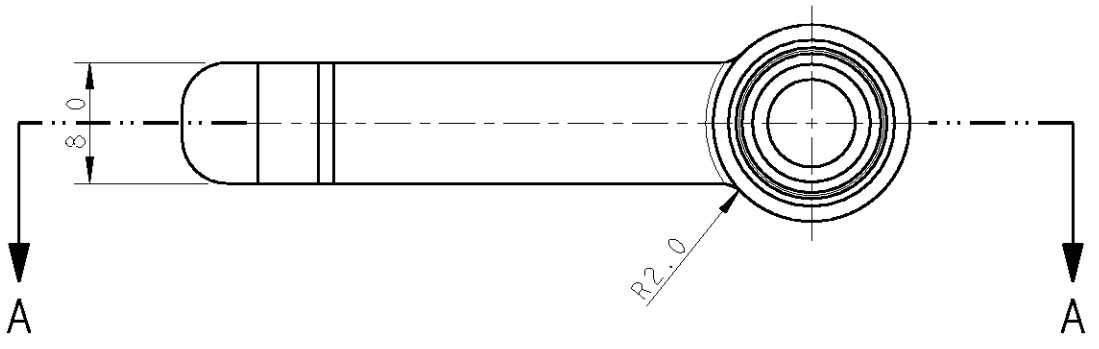


THIS DRAWING IS UNPUBLISHED. RELEASED FOR PUBLICATION 2008
 © COPYRIGHT 2008 BY TYCO ELECTRONICS CORPORATION. ALL RIGHTS RESERVED.

LOC	DIST	REVISIONS					
		P	LTR	DESCRIPTION	DATE	DWN	APVD
			A	FIRST ISSUE	20MAR2008	AV	GT
			E5	ALLIGNED TO THE EC TEC DOCUMENTATION	08/04/2008	AV	GT



P/N 0-293275-1 AS SHOWN

NOTES:
 1 MATERIAL: THERMOPLASTIC RUBBER
 45 Sh A COLOR BLACK

E5	0-293275-1	BLIND BOOT
REV	PART NO	DESCRIPTION

<small>THIS DRAWING IS A CONTROLLED DOCUMENT FOR TYCO ELECTRONICS CORPORATION IT IS SUBJECT TO CHANGE AND THE CONTROLLING ENGINEERING ORGANIZATION SHOULD BE CONTACTED FOR THE LATEST REVISION.</small>		DWN 20MAR2008 A. Vecchia CHK 20MAR2008 G. Turco APVD 20MAR2008 G. Turco		Tyco Electronics Collegno (TO), C.so Fratelli Cervi, 15	
DIMENSIONS: mm		TOLERANCES UNLESS OTHERWISE SPECIFIED: 0 PLC ± 1 PLC ±0.3 2 PLC ±0.2 3 PLC ± 4 PLC ± ANGLES ±		NAME BLIND RUBBER BOOT	
MATERIAL 		FINISH		PRODUCT SPEC - APPLICATION SPEC - WEIGHT 1.5g	
CUSTOMER DRAWING				SIZE A3 CAGE CODE 00779 DRAWING NO C=293275 RESTRICTED TO	
SCALE 2:1				SHEET 1 OF 1 REV E5	