

THIS DRAWING IS UNPUBLISHED. RELEASED FOR PUBLICATION

© COPYRIGHT BY TYCO ELECTRONICS CORPORATION. ALL RIGHTS RESERVED.

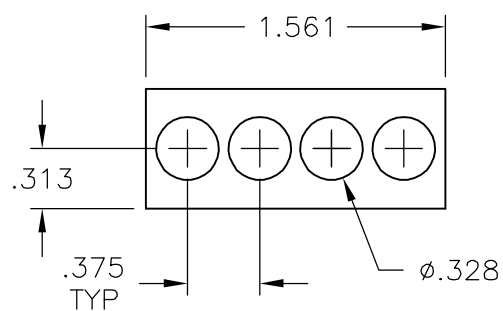
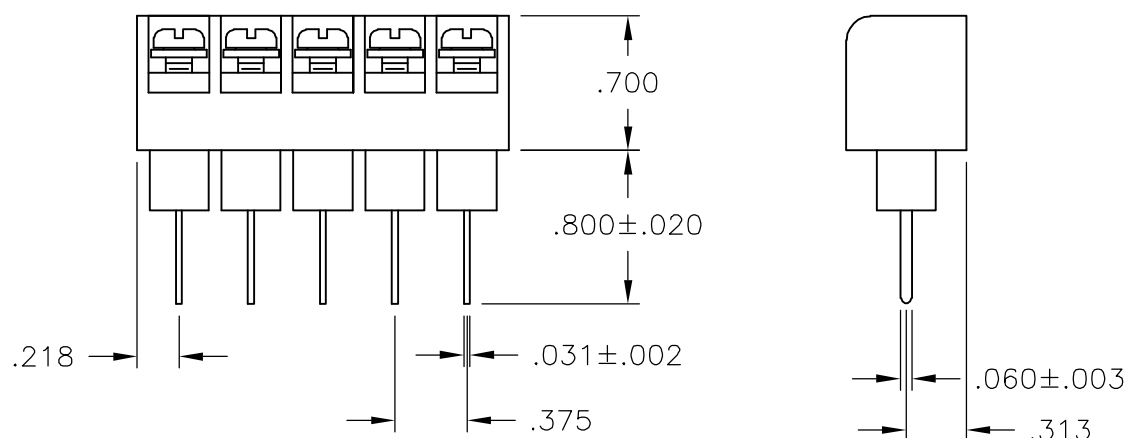
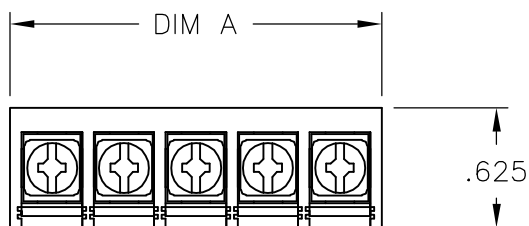
LOC	DIST	REVISIONS					
FT	0	P	LTR	DESCRIPTION	DATE	DWN	APVD
			A	-	8/25/06	SS	SRY

MATERIAL:  
 HOUSING: THERMOPLASTIC, UL94V-0, BLACK.  
 TERMINALS: BRIGHT TIN OVER COPPER ALLOY.  
 SCREWS: 6-32, STEEL, ZINC PLATING W/ CLEAR CHROMATE.

ELECTRICAL:  
 CURRENT RATING: 20A.  
 OPERATING VOLTAGE: 300V.  
 WIRE RANGE: 12-22 AWG

MECHANICAL:  
 RECOMMENDED TORQUE: 7 IN-LB  
 OPERATING TEMP.: 105°C MAX  
 RUNNING TORQUE: .5-3.5 IN-LB

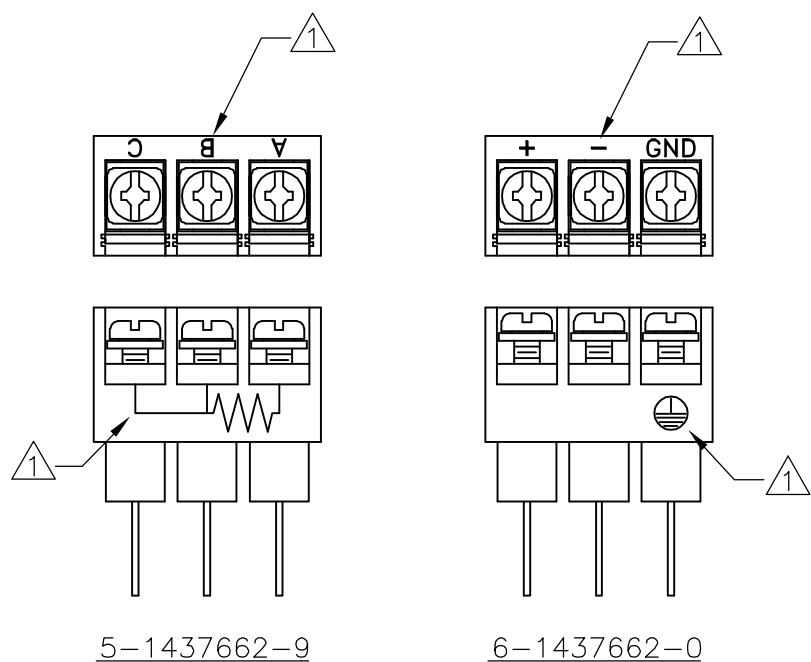
① MARKED WITH WITH WHITE INK.



RECOMMENDED PCB LAYOUT

7.561	20	BC6-W408-20	1-1546784-3
7.186	19	BC6-W408-19	1-1546784-2
6.811	18	BC6-W408-18	1-1546784-1
6.436	17	BC6-W408-17	1-1546784-0
6.061	16	BC6-W408-16	1546784-9
5.686	15	BC6-W408-15	1546784-8
5.311	14	BC6-W408-14	1546784-7
4.936	13	BC6-W408-13	6-1437662-5
4.561	12	BC6-W408-12	1546784-6
4.186	11	BC6-W408-11	1546784-5
3.811	10	BC6-W408-10	6-1437662-4
3.436	9	BC6-W408-09	1546784-4
3.061	8	BC6-W408-08	6-1437662-3
2.686	7	BC6-W408-07	1546784-3
2.311	6	BC6-W408-06	6-1437662-2
1.936	5	BC6-W408-05	1546784-2
1.561	4	BC6-W408-04	6-1437662-1
1.186	3	BC6-W408-03-205	6-1437662-0
1.186	3	BC6-W408-03-204	5-1437662-9
1.186	3	BC6-W408-03	5-1437662-8
.811	2	BC6-W408-02	1546784-1
DIM A	NO OF POS	CATALOG NUMBER	TYCO PART NO.

SEE FIGURE ①/②  
SEE FIGURE ①/②



THIS DRAWING IS A CONTROLLED DOCUMENT.		DWN S SCHLEGEL 8/25/06	Tyco Electronics Corporation Harrisburg, PA 17105-3608	
DIMENSIONS: INCHES		CHK S. YODER 8/25/06		
TOLERANCES UNLESS OTHERWISE SPECIFIED:		APVD S. YODER 8/25/06	NAME BC6-W408-XX ASSEMBLY	
0 PLC ± -		PRODUCT SPEC -	APPLICATION SPEC -	
1 PLC ± -		WEIGHT -	SIZE A3	CAGE CODE 00779
2 PLC ± .01		DRAWING NO C-6-1437662-4		
3 PLC ± .005		RESTRICTED TO -		
4 PLC ± -		SCALE NTS		
ANGLES ± -		SHEET 1 OF 1		
FINISH -		REV A		
MATERIAL -		CUSTOMER DRAWING		