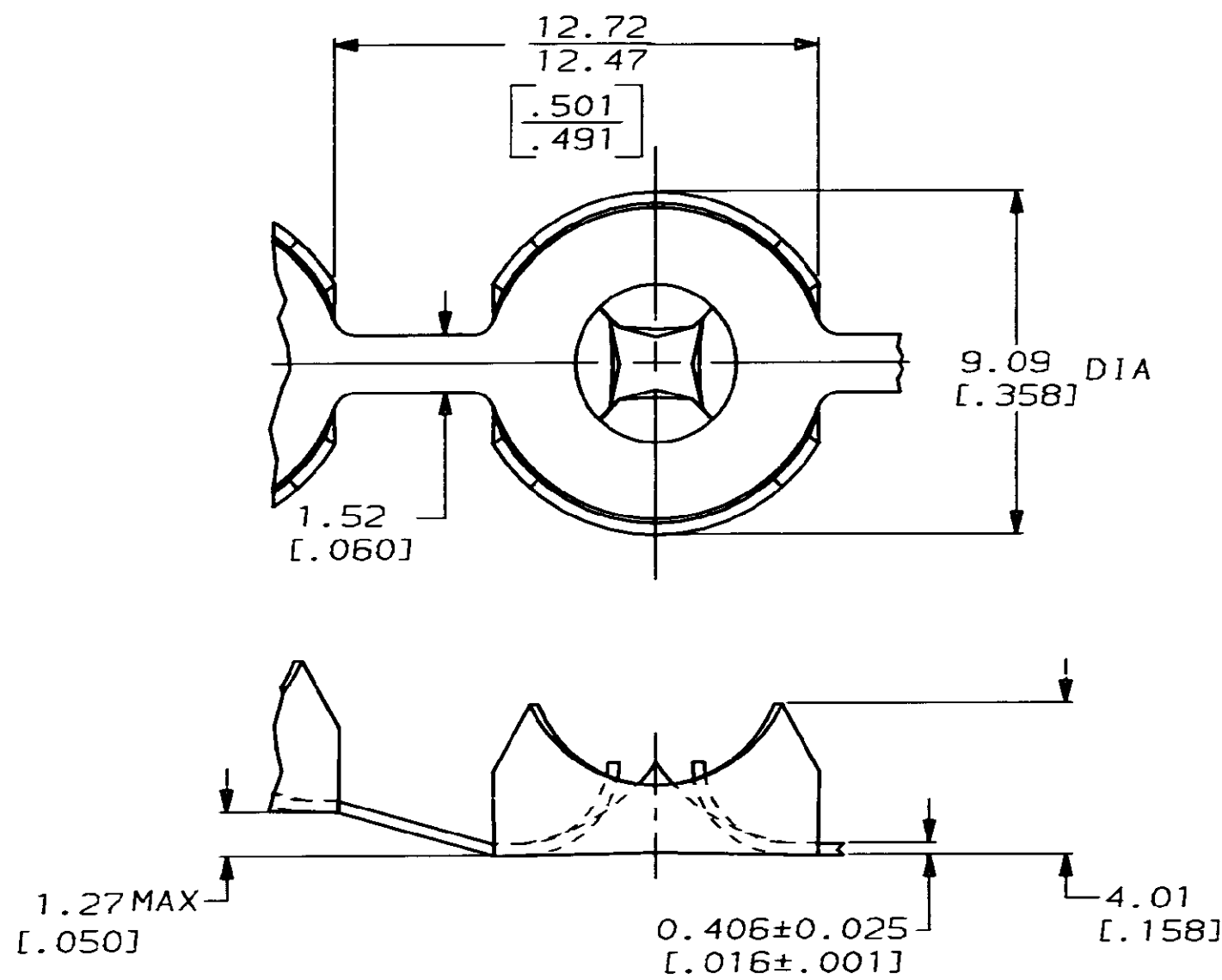


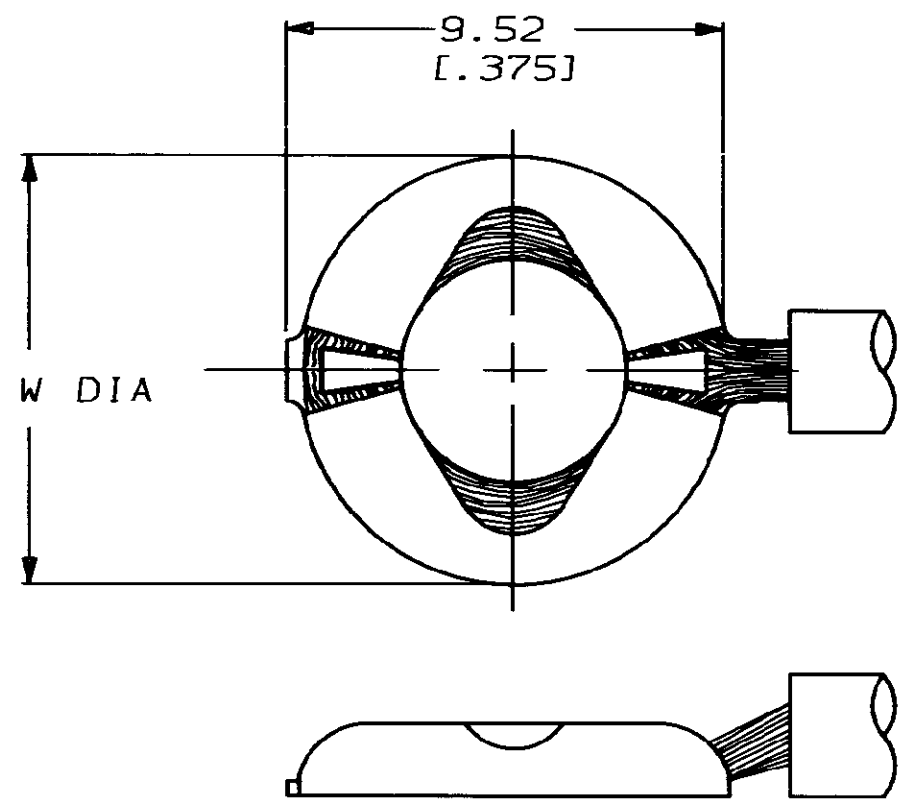
DRAWING MADE IN THIRD ANGLE PROJECTION

THIS DRAWING IS UNPUBLISHED. RELEASED FOR PUBLICATION , 19
 © COPYRIGHT 19 BY AMP INCORPORATED. ALL INTERNATIONAL RIGHTS RESERVED.

LOC	DIST	P	F	ZONE	LTR	DESCRIPTION	DATE	APPD
AF	50				D	REV AND REDRAWN PER AF-6382	12/12/89	PF/MF



1 CONTINUOUS STRIP ON REELS



9.78 [.385]	5.56 [.219]	0.8mm ² - 2.0mm ² [18-14] AWG	62376-1
W	HOLE DIA ± 0.13 [.005]	WIRE SIZE	PART NO

DO NOT SCALE PRINT. UNLESS SPECIFIED DIMENSIONS IN INCHES TOLERANCES ON: 2 PLC DEC ± - 3 PLC DEC ± 0.38 [.015] ANGLES ± -	DR 1/26/90 P FORTNEY	AMP AMP INCORPORATED Harrisburg, Pa. 17105	
	CHK 1/26/90 MS FEHER		
MATERIAL	APPD 2/2/90 G YETTER	EYELET, CROWN CRIMP	
#1 HARD BRASS OIL LUBRICATED	APPD 2/2/90 R KLIZO	SIZE	DRAWING NO
FINISH	PRODUCT SPEC	B	62376
	APPLICATION SPEC	CAGE CODE	SHEET
	WEIGHT	00779	1 OF 1
		SCALE 6:1	

METRIC

CUSTOMER DRAWING