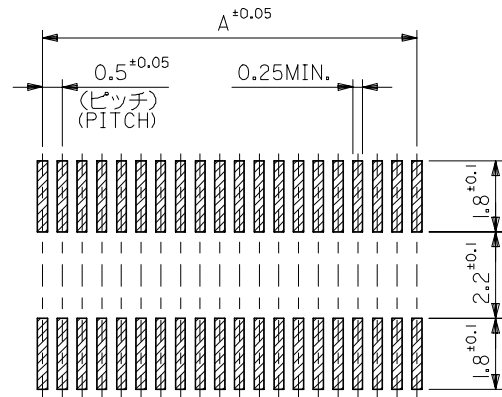
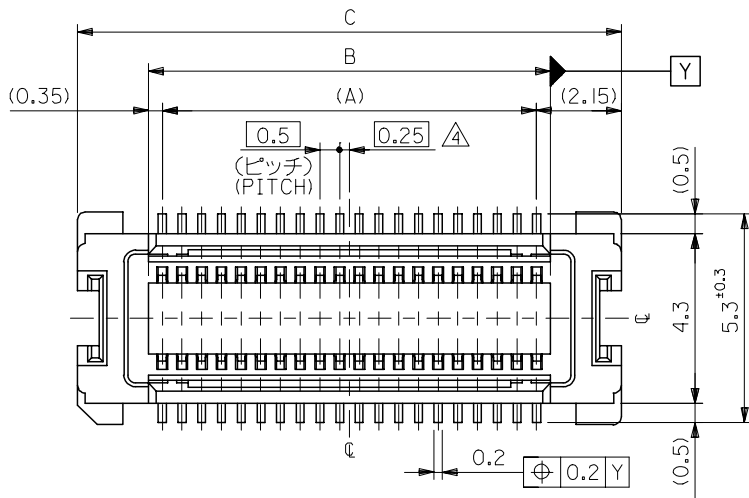
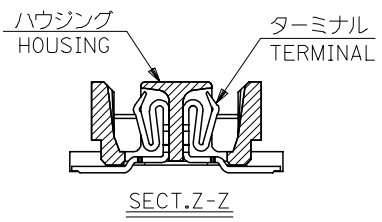
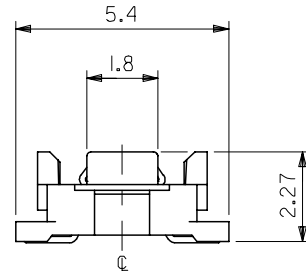
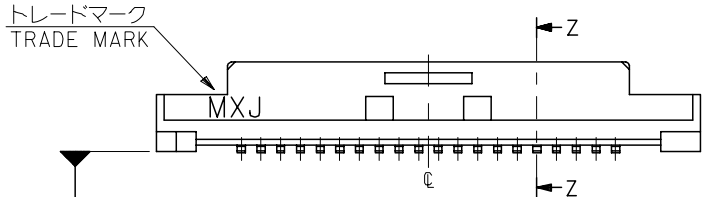


10 9 8 7 6 5 4 3 2 1



参考基板レイアウト (マウント面)  
P.C.BOARD PATTERN  
DIMENSION (REF.)  
(MOUNTING AREA)



23.8	20.2	19.5	52991-0800	80
21.3	17.7	17.0	-0700	70
18.8	15.2	14.5	-0600	60
16.3	12.7	12.0	-0500	50
13.8	10.2	9.5	-0400	40
11.3	7.7	7.0	-0300	30
8.8	5.2	4.5	52991-0200	20
C	B	A	MATERIAL NO.	極数 CIRCUIT

注記 NOTES:

1. 使用材料 MATERIAL  
ハウジング: LCPガラス入り (白), UL94V-0  
HOUSING: LCP(G.F.)(COLOR:WHITE), UL94V-0  
ターミナル: リン青銅 (t=0.15)  
TERMINAL: PHOSPHOR BRONZE (t=0.15)
2. ヌッキ仕様 PLATING  
全体仕上げ: 金メッキ 0.1 MICROMETER MIN.  
ALL OVER: GOLD 0.1 MICROMETER MIN.  
下地メッキ: ニッケルメッキ 1.5 MICROMETER MIN.  
UNDER PLATING: NICKEL 1.5 MICROMETER MIN.

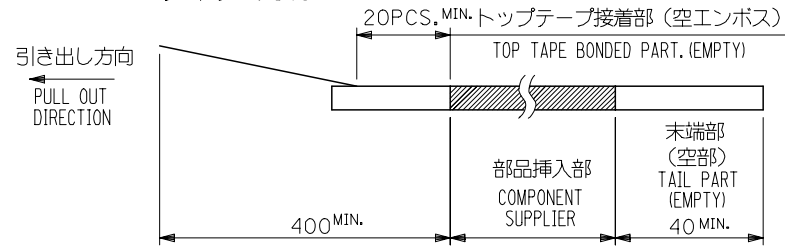
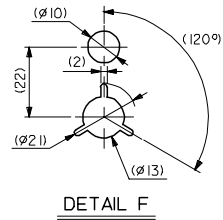
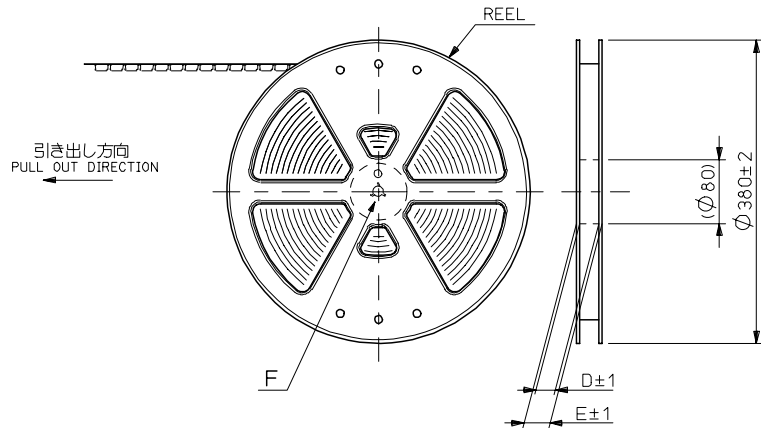
- 5 嵌合相手: 53748 シリーズ 53916 シリーズ 502280 シリーズ  
MATE WITH: 53748 SERIES, 53916 SERIES, 502280 SERIES.
- 6 テール平坦度は、0.1MAX.  
TAIL COPLANARITY TO BE 0.1MAX.

3. 基準面 [X] からのソルダーテールの半田付け面のズレ量は、上方向 0、下方向 0.15MAX. とする。  
MISALIGNMENT OF SOLDER TAIL FROM [X]: UPPER DIRECTION 0, LOWER DIRECTION 0.15 MAX.  
△ (全極数/2) = 偶数の場合に適用。  
APPLY FOR (CIRCUIT/2)=EVEN.

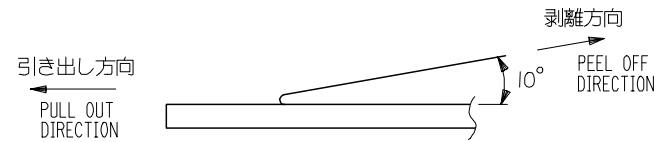
REVISED EC NO: J2007-0273 DRWN: TENAGASE 2006/07/28 CHKD: THARUYAMA 2006/08/03 APPR: NUKITA 2006/08/07	GENERAL TOLERANCES (UNLESS SPECIFIED)		DIMENSION STYLE MM ONLY		SCALE 8:1	DESIGN UNITS METRIC	THIRD ANGLE PROJECTION	
	10 UNDER	±0.2	DRAWN BY DATE S. AIHARA '96/02/27		TITLE 0.5 B/B CONN REC HOUSING ASSY(W/O BOSS, W/O NAIL) -LEAD FREE-			
	10 OVER 30 UNDER	±0.25	CHECKED BY DATE M. SASAO '01/12/26					
	30 OVER	±0.3	APPROVED BY DATE M. SASAO '01/12/26		MOLEX INCORPORATED			
ANGULAR	±3 °	MATERIAL NO. SEE CHART		DOCUMENT NO. SD-52991-004				
D	DRAFT WHERE APPLICABLE MUST REMAIN WITHIN DIMENSIONS		SIZE A3		THIS DRAWING CONTAINS INFORMATION THAT IS PROPRIETARY TO MOLEX INCORPORATED AND SHOULD NOT BE USED WITHOUT WRITTEN PERMISSION			

NOTES

- 製品詳細寸法については図面 SD-52991-004 を参照下さい。  
RE DETAILED DIMENSION, SEE SD-52991-004
- 梱包数量：3000個/リール  
NUMBER OF CONNECTORS : 3000PCS/REEL
- リードテープ長さ LEAD TAPE LENGTH



- トップテープの剥離強度：0.1N~1.3N (10gf~130gf) (剥離方向は下図参照)  
尚、本規格値は出荷時に適用。(但し、輸送時に剥離が発生しないこと。)  
PEELING OFF FORCE OF TOP TAPE : 0.1N~1.3N (10gf~130gf)  
(PEELING DIRECTION AS SHOWN IN FOLLOWING FIG.)  
THIS REQUIREMENT SHOULD BE APPLIED AT SHIPMENT.  
PEEL OFF SHOULD NOT BE ALLOWED , DURING TRANSPORTATION.



- 材料 (MATERIAL)  
キャリアテープ (CARRIER TAPE) : ポリプロピレン (POLYPROPYLENE)  
トップテープ (TOPTAPE) : PET , PE , PEF  
リール (REEL) : ポリスチレン (PS) <リサイクル材を含む>  
POLYSTYREN (PS) <RECYCLE MATERIAL CONTAINED>

52991-\*\*\*8 MODEL NO.

REVISED EC NO: J2006-0604 DRW:NAIDA 2005/08/31 CHK:KTOYODA 2005/09/01 APP:NUKITA 2005/09/09	GENERAL TOLERANCES (UNLESS SPECIFIED)		DIMENSION STYLE MM ONLY		SCALE ---	DESIGN UNITS METRIC	THIRD ANGLE PROJECTION	
	10 UNDER	± 0.2	DRAWN BY T. NIITSU	DATE '95/10/17	TITLE 0.5 B/B CONN REC HSG ASSY EMBSTP PKG -LEAD FREE-			
	10 OVER 30 UNDER	± 0.25	CHECKED BY T. ITO	DATE '01/01/31	MOLEX INCORPORATED			
	30 OVER	± 0.3	APPROVED BY M. FUKUSHIMA	DATE '01/01/31	DOCUMENT NO. SD-52991-005		SHEET NO. 1 OF 6	
	ANGULAR	± 3 °	MATERIAL NO. SEE CHART					
D	DRAFT WHERE APPLICABLE MUST REMAIN WITHIN DIMENSIONS		SIZE A3		THIS DRAWING CONTAINS INFORMATION THAT IS PROPRIETARY TO MOLEX INCORPORATED AND SHOULD NOT BE USED WITHOUT WRITTEN PERMISSION			

10 9 8 7 6 5 4 3 2 1

F

E

D

C

B

A

F

E

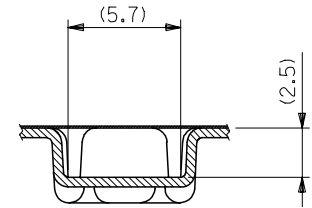
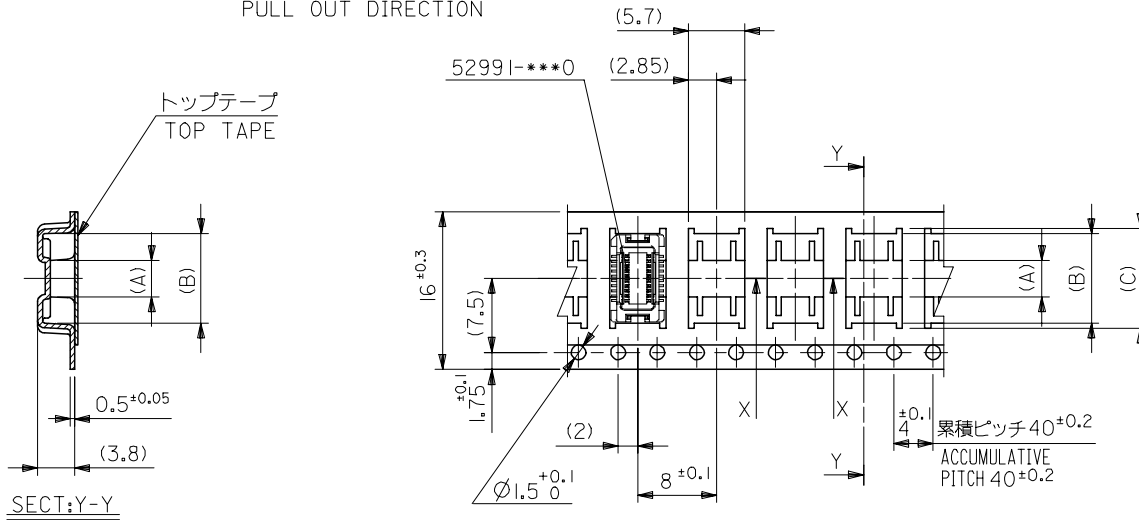
D

C

B

A

引き出し方向  
PULL OUT DIRECTION



SECT:X-X  
(SCALE 4:1)

SECT:Y-Y

16mm幅キャリアテープ  
16mm WIDTH CARRIER TAPE

REVISED	EC NO: J2006-0604	2005/08/31	DRWN:NAIDA	2005/09/01	CHKD:KTOYODA	2005/09/09	APPR:NUKITA	DESCRIPTION	52991-***8	MODEL NO.	16	21.4	17.4	10.1	9.1	3.7	52991-0208	20										
D								GENERAL TOLERANCES (UNLESS SPECIFIED)			キャリアテープ幅 CARRIER TAPE WIDTH	E	D	(C)	(B)	(A)	MATERIAL NO.	極数 CKT.										
								10 UNDER ± ---			DIMENSION STYLE MM ONLY		SCALE ---	DESIGN UNITS METRIC		THIRD ANGLE PROJECTION												
								10 OVER 30 UNDER ± ---			DRAWN BY T.NIITSU	DATE '95/10/17	TITLE 0.5 B/B CONN REC HSG ASSY EMBSTP PKG -LEAD FREE-															
								30 OVER ± ---			CHECKED BY T.ITO	DATE '01/01/31	MOLEX INCORPORATED															
								ANGULAR ± --- °			APPROVED BY M.FUKUSHIMA	DATE '01/01/31	DOCUMENT NO. SD-52991-005		SHEET NO. 2 OF 6													
								DRAFT WHERE APPLICABLE MUST REMAIN WITHIN DIMENSIONS			MATERIAL NO. SEE CHART																	
											SIZE A3	THIS DRAWING CONTAINS INFORMATION THAT IS PROPRIETARY TO MOLEX INCORPORATED AND SHOULD NOT BE USED WITHOUT WRITTEN PERMISSION																

9

8

7

6

5

4

3

2

10 9 8 7 6 5 4 3 2 1

F

E

D

C

B

A

F

E

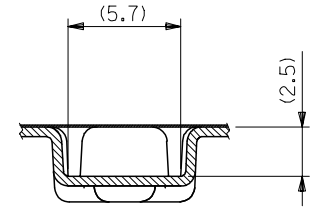
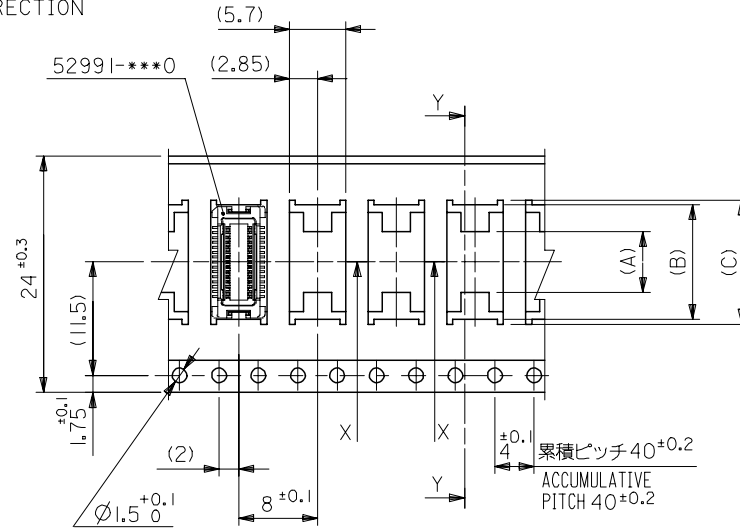
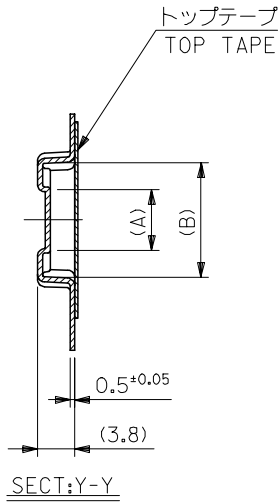
D

C

B

A

引き出し方向  
PULL OUT DIRECTION



24mm幅キャリアテープ  
24mm WIDTH CARRIER TAPE

24	29.4	25.4	15.1	14.1	7.4	52991-0408	40
			12.6	11.6	4.9	52991-0308	30
キャリアテープ幅 CARRIER TAPE WIDTH	E	D	(C)	(B)	(A)	MATERIAL NO.	極数 CKT.

REVISED EC NO: J2006-0604 DRWN:NAIDA 2005/08/31 CHKD:KTOYODA 2005/09/01 APPR:NUKITA 2005/09/09	DESCRIPTION	52991-***8	MODEL NO.	DIMENSION STYLE	SCALE	DESIGN UNITS	THIRD ANGLE PROJECTION
		GENERAL TOLERANCES (UNLESS SPECIFIED)		MM ONLY	---	METRIC	
		10 UNDER	± ---	DRAWN BY	DATE	TITLE	
		10 OVER 30 UNDER	± ---	S. AIHARA	'96/04/01	0.5 B/B CONN REC HSG ASSY EMBSTP PKG -LEAD FREE-	
		30 OVER	± ---	T. ITO	'01/01/31		
	ANGULAR	± --- °	APPROVED BY	DATE	MOLEX INCORPORATED		
	DRAFT WHERE APPLICABLE MUST REMAIN WITHIN DIMENSIONS		M. FUKUSHIMA	'01/01/31	SD-52991-005		
				SEE CHART	DOCUMENT NO.	SHEET NO.	
						3 OF 6	
				SIZE	THIS DRAWING CONTAINS INFORMATION THAT IS PROPRIETARY TO MOLEX INCORPORATED AND SHOULD NOT BE USED WITHOUT WRITTEN PERMISSION		
				A3			

9

8

7

6

5

4

3

2

10 9 8 7 6 5 4 3 2 1

F

E

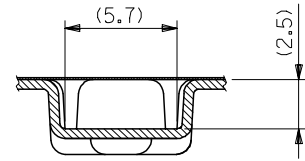
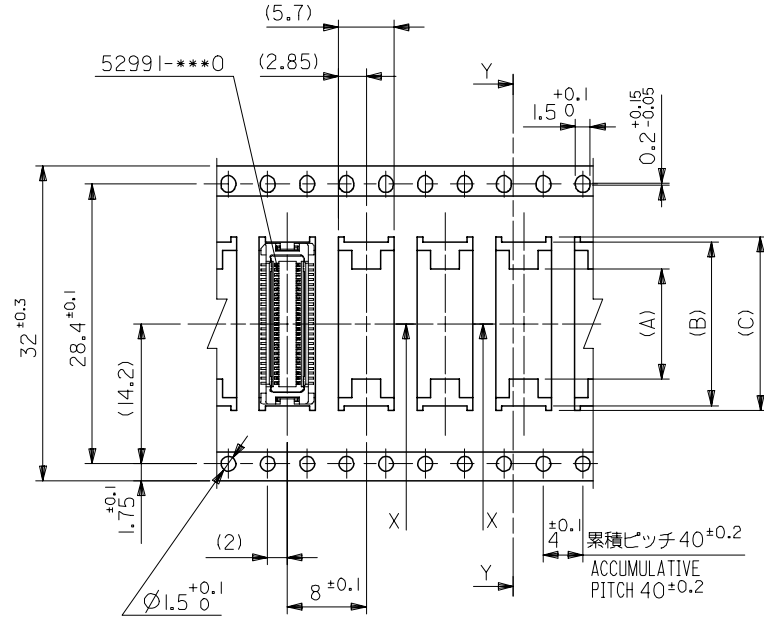
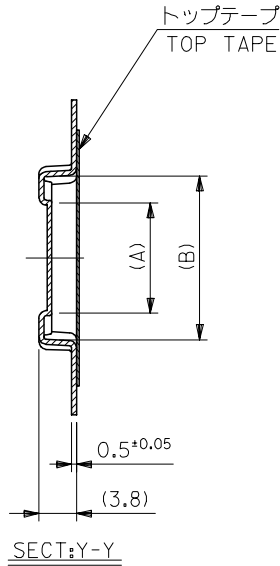
D

C

B

A

引き出し方向  
PULL OUT DIRECTION



32mm幅キャリアテープ  
32mm WIDTH CARRIER TAPE

32	37.4	33.4	17.6	16.6	11.2	52991-0508	50
キャリアテープ幅 CARRIER TAPE WIDTH	E	D	(C)	(B)	(A)	MATERIAL NO.	極数 CKT.

REVISED	EC NO: J2006-0604	2005/08/31
	DRW:NAIDA	2005/09/01
	CHK:KTOYODA	2005/09/01
	APP:NUKITA	2005/09/09

52991-***8	MODEL NO.
GENERAL TOLERANCES (UNLESS SPECIFIED)	
10 UNDER	± ---
10 OVER 30 UNDER	± ---
30 OVER	± ---
ANGULAR	± --- °
DRAFT WHERE APPLICABLE MUST REMAIN WITHIN DIMENSIONS	

DIMENSION STYLE MM ONLY		SCALE ---	DESIGN UNITS METRIC	THIRD ANGLE PROJECTION
DRAWN BY T. YASUI	DATE '96/04/15	TITLE 0.5 B/B CONN REC HSG ASSY EMBSTP PKG -LEAD FREE-		
CHECKED BY T. ITO	DATE '01/01/31	MOLEX INCORPORATED		
APPROVED BY M. FUKUSHIMA	DATE '01/01/31	DOCUMENT NO. SD-52991-005		SHEET NO. 4 OF 6
MATERIAL NO. SEE CHART		THIS DRAWING CONTAINS INFORMATION THAT IS PROPRIETARY TO MOLEX INCORPORATED AND SHOULD NOT BE USED WITHOUT WRITTEN PERMISSION		

9

8

7

6

5

4

3

2

10 9 8 7 6 5 4 3 2 1

F

E

D

C

B

A

F

E

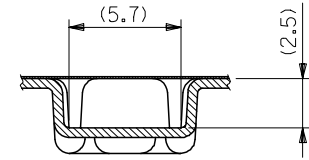
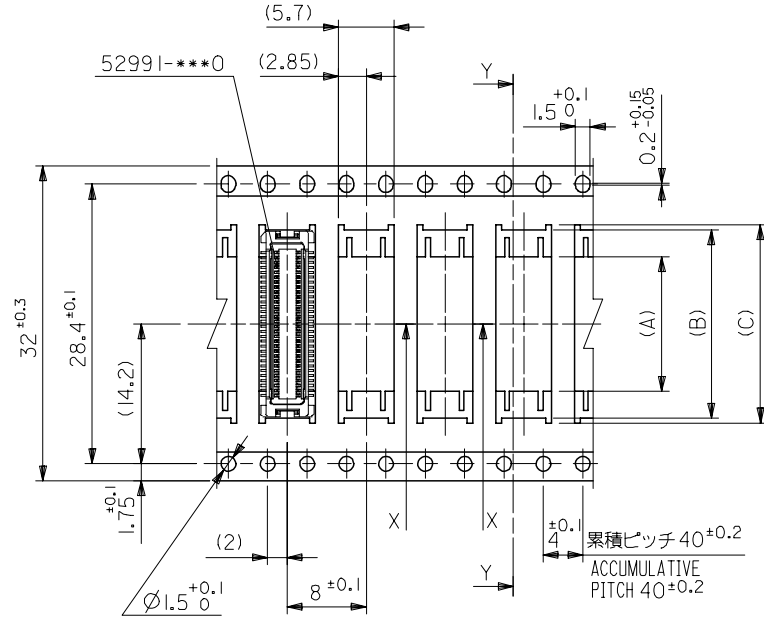
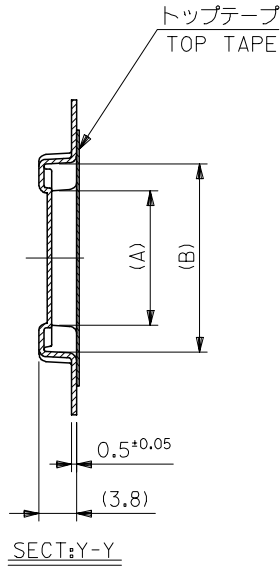
D

C

B

A

引き出し方向  
PULL OUT DIRECTION



32mm幅キャリアテープ  
32mm WIDTH CARRIER TAPE

REVISED EC NO: J2006-0604 DRW:NAIDA 2005/08/31 CHKD:TOYODA 2005/09/01 APPR:NUKITA 2005/09/09	52991-***8 MODEL NO.		32	37.4	33.4	20.1	19.1	13.7	52991-0608	60
	GENERAL TOLERANCES (UNLESS SPECIFIED)		キャリアテープ幅 CARRIER TAPE WIDTH	E	D	(C)	(B)	(A)	MATERIAL NO.	極数 CKT.
	10 UNDER ± ---		DIMENSION STYLE MM ONLY		SCALE ---		DESIGN UNITS METRIC		THIRD ANGLE PROJECTION	
	10 OVER 30 UNDER ± ---		DRAWN BY DATE S. AIHARA '96/04/01		TITLE 0.5 B/B CONN REC HSG ASSY EMBSTP PKG -LEAD FREE-					
30 OVER ± ---		CHECKED BY DATE T. ITO '01/01/31		MOLEX INCORPORATED						
ANGULAR ± --- °		APPROVED BY DATE M. FUKUSHIMA '01/01/31		MATERIAL NO.		DOCUMENT NO.		SHEET NO.		
DRAFT WHERE APPLICABLE MUST REMAIN WITHIN DIMENSIONS		SEE CHART		SD-52991-005		5 OF 6				
SIZE A3		THIS DRAWING CONTAINS INFORMATION THAT IS PROPRIETARY TO MOLEX INCORPORATED AND SHOULD NOT BE USED WITHOUT WRITTEN PERMISSION								

9

8

7

6

5

4

3

2

10 9 8 7 6 5 4 3 2 1

F

E

D

C

B

A

F

E

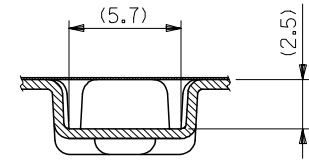
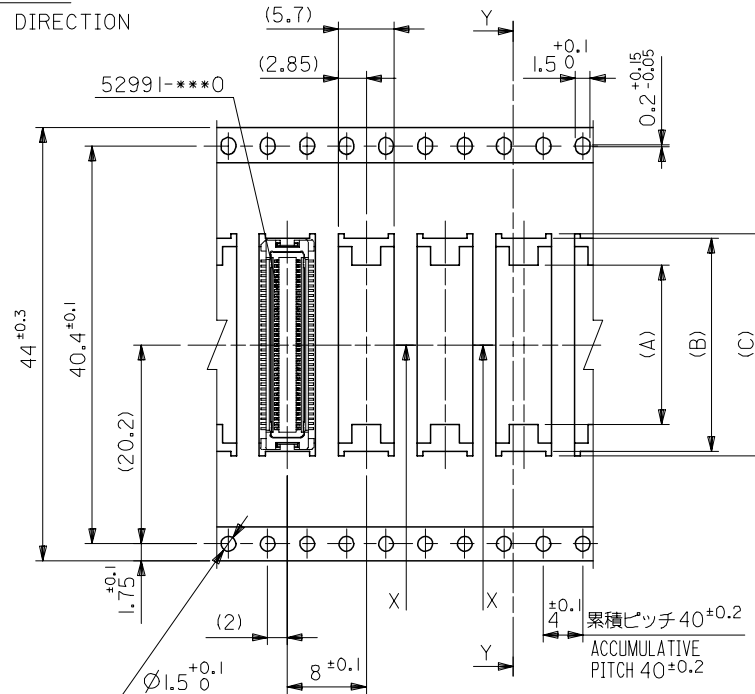
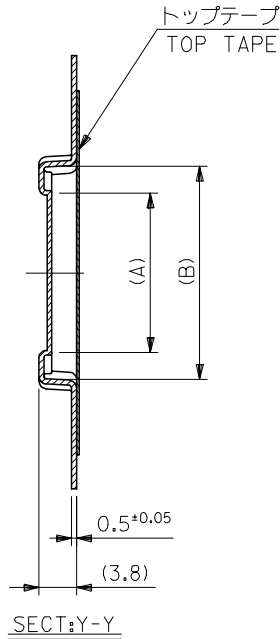
D

C

B

A

引き出し方向  
PULL OUT DIRECTION



44mm幅キャリアテープ  
44mm WIDTH CARRIER TAPE

44	49.4	45.4	25.1	24.1	18.7	52991-0808	80
			22.6	21.6	16.2	52991-0708	70
キャリアテープ幅 CARRIER TAPE WIDTH	E	D	(C)	(B)	(A)	MATERIAL NO.	極数 CKT.

REVISED EC NO: J2006-0604 DRW:NAIDA 2005/08/31 CHK:KTOYODA 2005/09/01 APPR:NUKITA 2005/09/09	DESCRIPTION	52991-***8	MODEL NO.	DIMENSION STYLE	SCALE	DESIGN UNITS	THIRD ANGLE PROJECTION	
	GENERAL TOLERANCES (UNLESS SPECIFIED)			MM ONLY	---	METRIC		
	10 UNDER ± ---			DRAWN BY	DATE	TITLE		
	10 OVER 30 UNDER ± ---			T. YASUI	'96/04/15	0.5 B/B CONN REC HSG ASSY EMBSTP PKG -LEAD FREE-		
30 OVER ± ---			CHECKED BY	DATE				
ANGULAR ± --- °			T. ITO	'01/01/31				
DRAFT WHERE APPLICABLE MUST REMAIN WITHIN DIMENSIONS			APPROVED BY	DATE				
			M. FUKUSHIMA	'01/01/31				
			MATERIAL NO.	DOCUMENT NO.			SHEET NO.	
			SEE CHART	SD-52991-005			6 OF 6	
			SIZE	THIS DRAWING CONTAINS INFORMATION THAT IS PROPRIETARY TO MOLEX INCORPORATED AND SHOULD NOT BE USED WITHOUT WRITTEN PERMISSION				
			A3					

9

8

7

6

5

4

3

2