

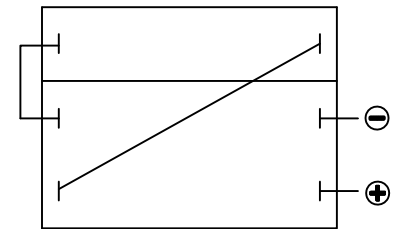
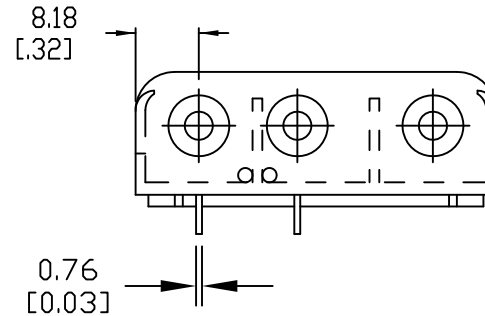
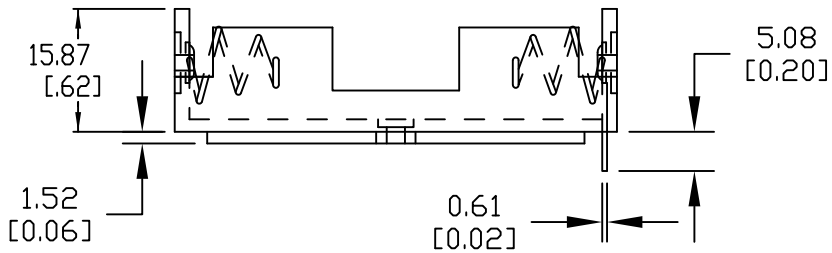
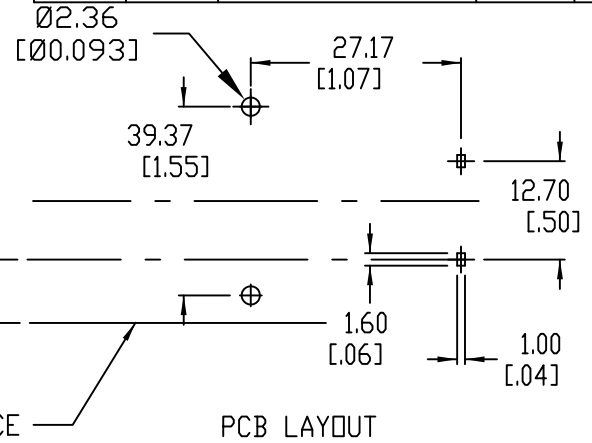
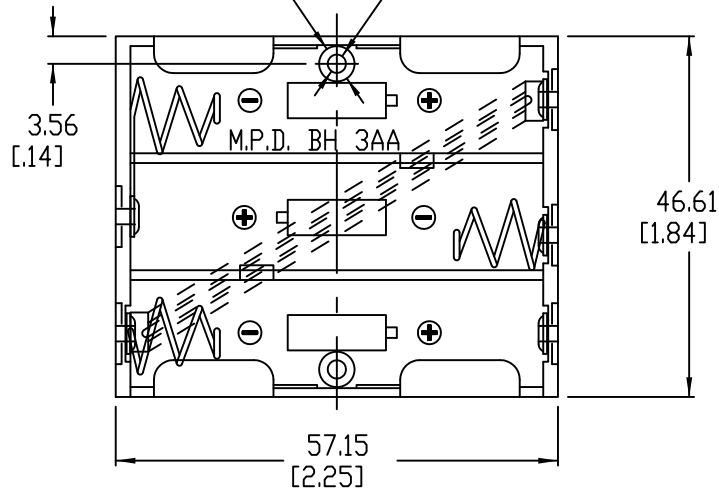
∅4.57 x 1.01 DEEP
[.180 x 0.040 DEEP]

∅2.36
[.093]

MOUNTING INSTRUCTION:

USE 2-56 MACHINE SCREWS OR
EYELETS 0.089" OD BY 0.15" FLANGE
STIMPSON GS-3 SERIES OR EQUIVALENT
ALSO ADHESIVES AND DOUBLE SIDED
TAPES WORK WELL.

Date	SYM	REVISION RECORD	AUTH	DR.	CK.
12/26/03	A	Changed Material Specification	T.B.	B.S.	
1/28/06	B	Added "ROHS COMPLIANT"	T.B.	B.S.	
10/28/06	C	Added ∅2.36 hole size to PCB layout	T.B.	B.S.	
3/02/12	D	Dim. 5.08 was 12.70	T.B.	B.S.	




INTER CONNECTION SCHEMATIC

NOTES:

MATERIAL:

HOUSING: IMPACT RESISTANCE NYLON #6, BLACK, UL 94V-0,
MATERIAL FILE #UL E 48285
SPRING: SPRING STEEL, NICKLE PLATED
CONTACTS: SPRING STEEL, NICKLE PLATED
EYELETS: BRASS, NICKLE PLTD.
JUMPER: #24 AWG, 2.5" LONG
ROHS COMPLIANT

Tolerance (Inches)	 Memory Protection Devices, Inc 200 Broad Hollow Road, Farmingdale, New York 11735		
Decimal ±.5 (.020)	Scale	Drawn By B.S. Approved By T.B.	
Fractional ± .8 (.030)	Title 3AA BATTERY HOLDER WITH PC PINS		
Angular ± 3°	Date 3/02/12	Drawing Number BH3AA-PC	