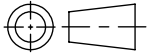
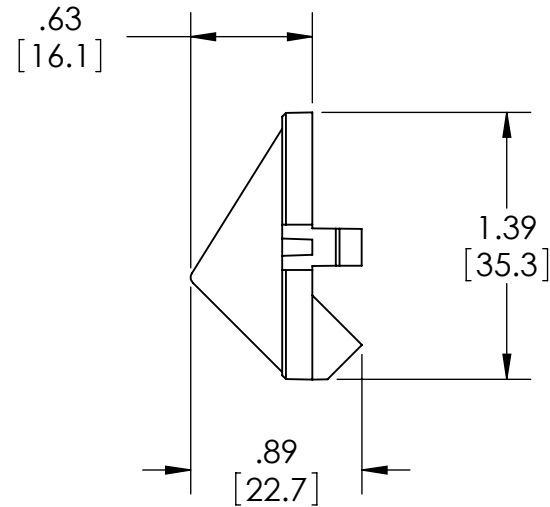
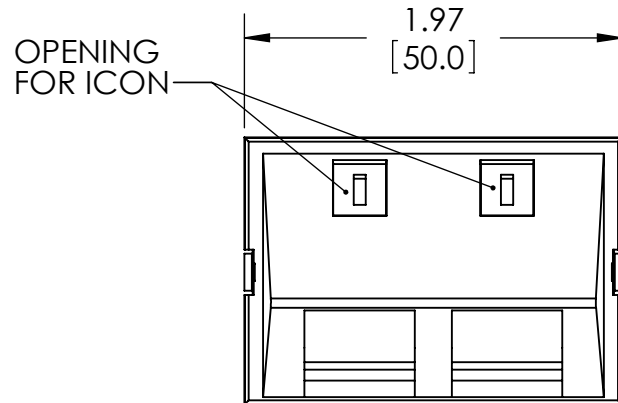
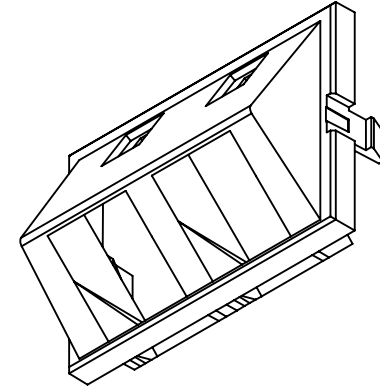
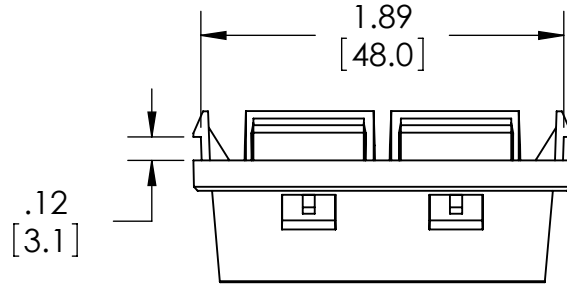


SW2009



Revision level		Revision Record	Changed	Date	Approved	Date
Drawing	Part					
01	-	SEE ECN# 011664	AAC	10/27/2010		



Material  
 ABS VO RATED  
 AVAILABLE COLORS:  
 OFFICE WHITE, WHITE,  
 IVORY

Units inches  
 Dimension without tolerances details to:  
 .xxxx = ±.0005  
 .xxx = ±.005  
 .xx = ±.01  
 .x = ±.03  
 None = ±.06  
 ∠ = ±0.5°

The copyright of this drawing is reserved by HellermannTyton. It is issued on condition that it is not reproduced, copied, or disclosed to a third party, either wholly or in part, without the consent of HellermannTyton.

Drawn	AAC	10/26/2010	Article/Type-No	FPMIAD15	Scale	1:1	
Approved			Title	FPMIAD15 DUAL PORT INSERT W/ICONS	Project Number	PRP10-0943	
<p>North America          Email: corp@htamericas.com          Web: www.hellermann.tyton.com</p>			Drawing-No	MI10-0943-006CST	Production : Phase	Format	AH
						Sheet	1/1