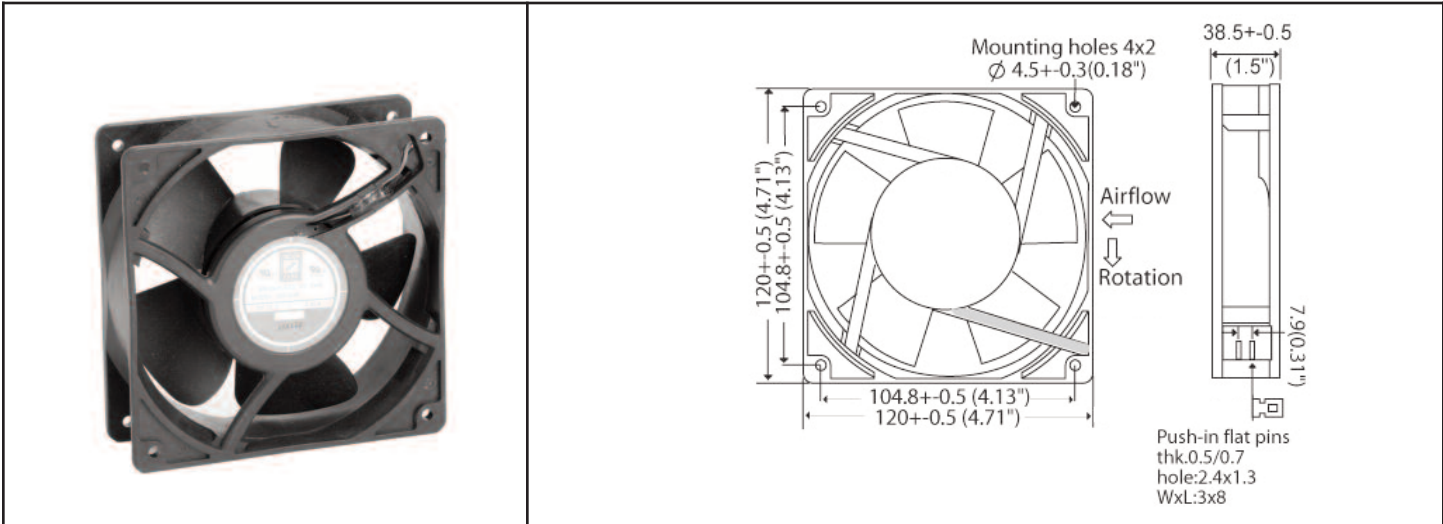


# OD1238 HTB Series



DC Fan - High Speed  
120x38mm (4.7"x 1.5")



Frame & Impeller	PBT, UL94V-0 plastic	Available Options	
Connection	Terminals	Tachometer	
Motor	Brushless DC, auto restart, IC protected	Alarm	
Bearing System	Dual ball bearing	PWM	
Insulation Resistance	10M ohm between leadwire and frame (500VDC)	Thermal control	
Dielectric Strength	1 minute at 500 VAC, max leakage < 500 mA	IP55	
Temperature Range	-15C ~ +65C	Sleeve Bearing	
Life (L10)	65,000 hours (45C)	Ultra High/Ultra Low speed	
Storage Temperature	-40C ~ +80C	Weight: ~0.69 lbs	
		m0	

Model Number	Speed (RPM)	Airflow (CFM)	Noise (dB)	Volts DC	Voltage Range (VDC)	Amps	Max. Static Pressure ("H2O)
OD1238-12HTB	3300	90	42	12	8 ~ 13.8	0.50	0.38
OD1238-24HTB	3300	90	42	24	15 ~ 26	0.23	0.38
OD1238-48HTB	3300	90	42	48	28 ~ 55	0.10	0.38