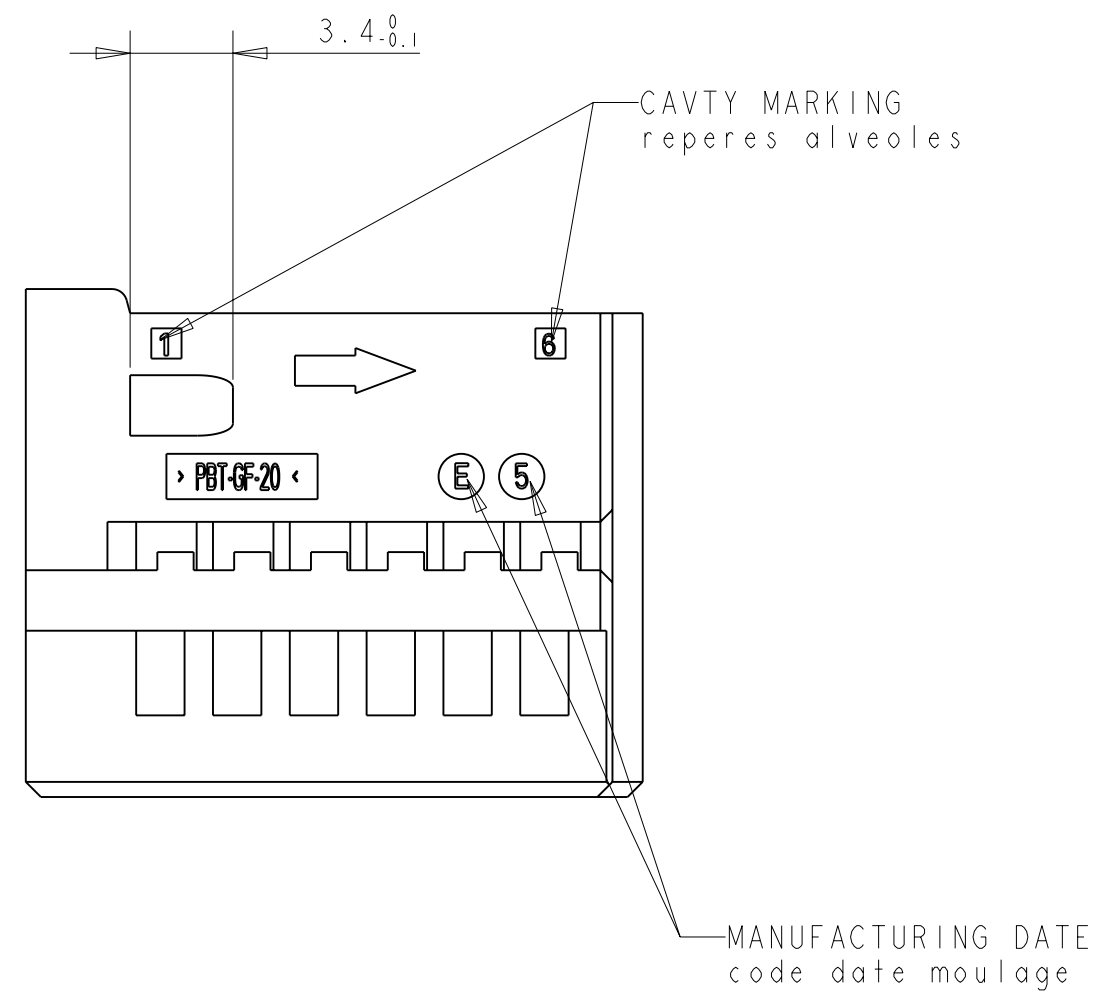
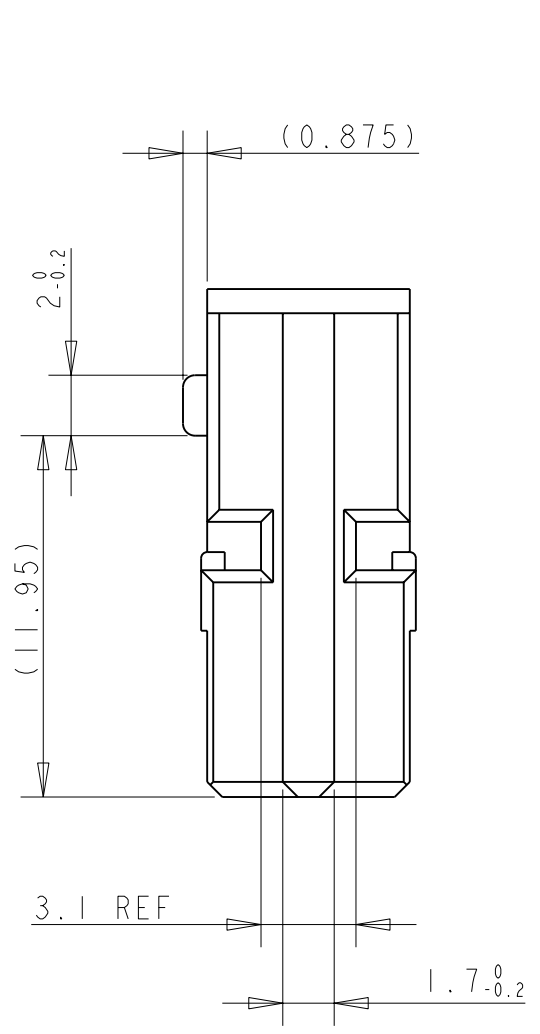


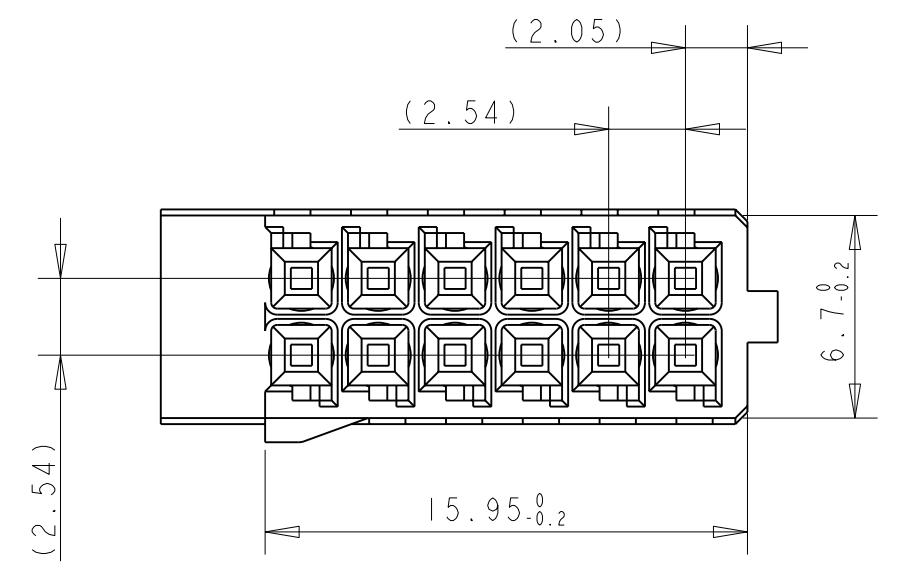
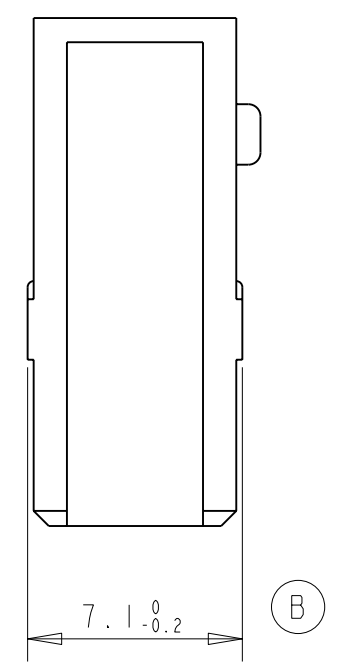
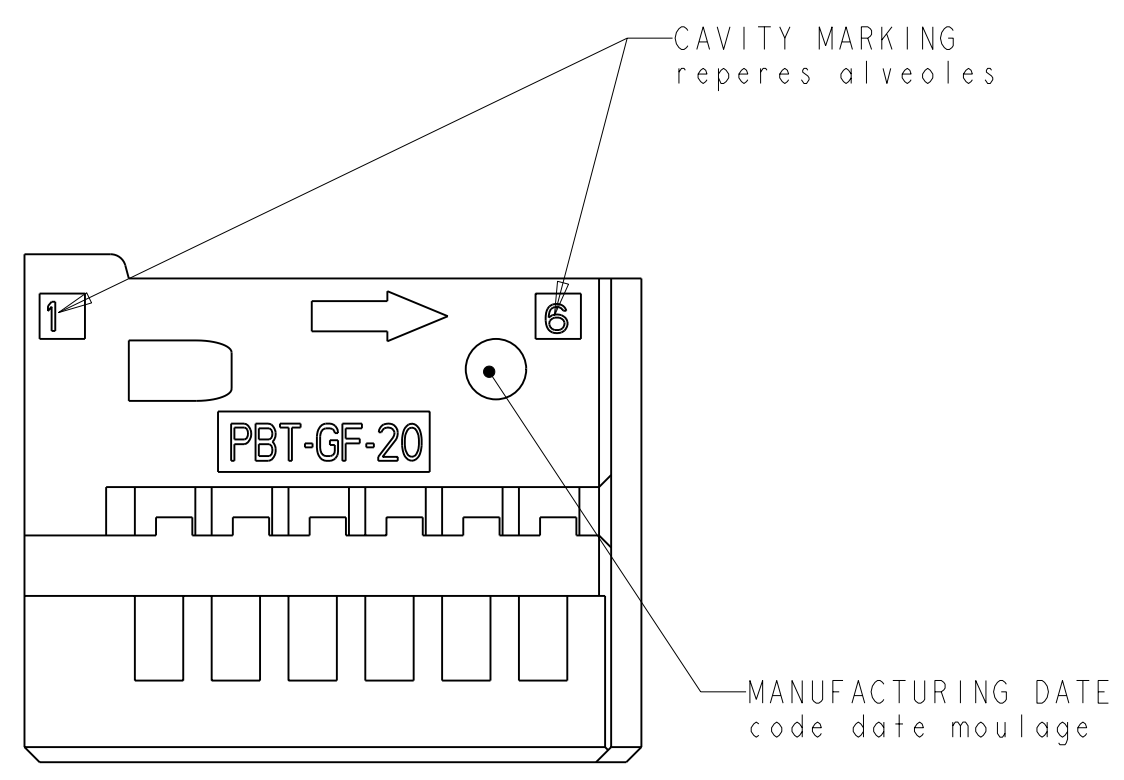
THIS DRAWING IS UNPUBLISHED.  
 DIFFUSION RESTREINTE  
 © COPYRIGHT 2007 BY TYCO ELECTRONICS CORPORATION. ALL RIGHTS RESERVED.  
 TOUS DROITS RESERVES

RELEASED FOR PUBLICATION  
 LIBRE A LA DIFFUSION  
 2007

LOC	DIST	REVISIONS			
P	LTR	DESCRIPTION MODIFICATIONS	DATE	DWN DESS.	APVD APP.
F	00				
	B	7,1 +0/-0.1 -> 7,1 +0/-0.2	10SEP2008	MP	EC

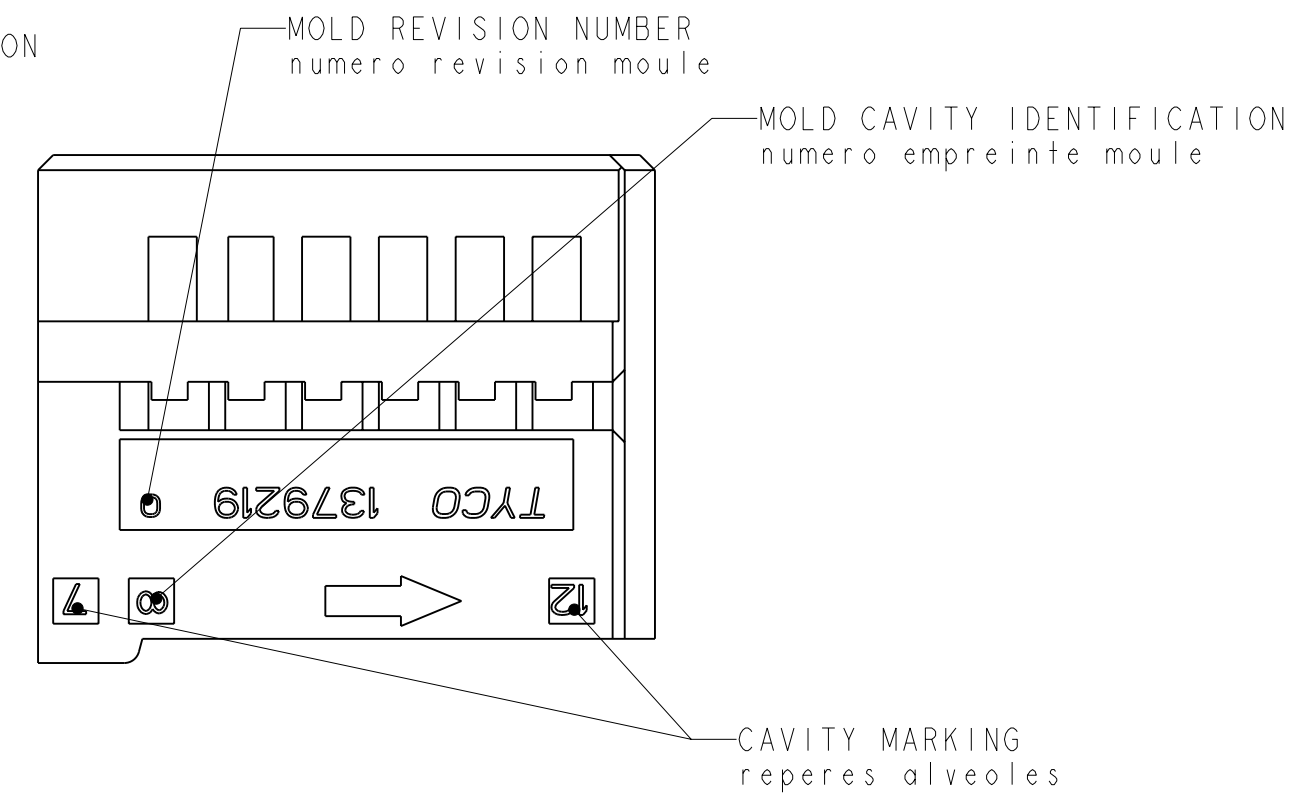
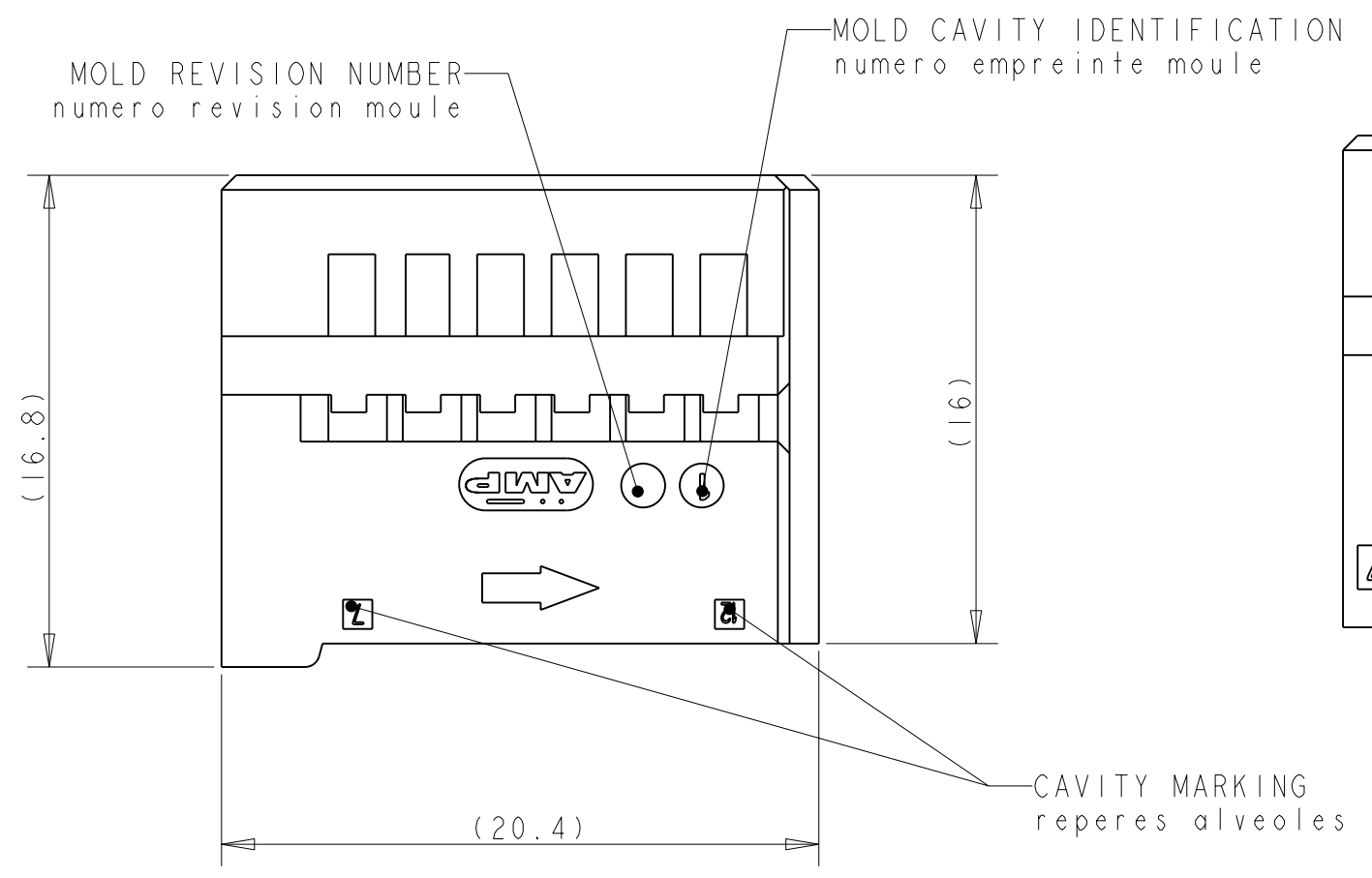


OTHER POSSIBILITY OF MARKING  
 autre possibilite de marquage



OTHER POSSIBILITY OF MARKING  
 autre possibilite de marquage

**PART TO BE USED WITH:**  
 COVER FOR MQS 12 POS GENE 11 0°: 1379095-X  
 COVER FOR MQS 12 POS GENE 11 90° REF: 1379096-X  
 MQS CONTACT REF 144969-X  
 MQS CONTACT LOW COST REF: 1379418-X  
 MQS CONTACT LOW COST REF: 1379419-X



PBT GF 20%	BLACK	1379219-1
PBT 20% FV	noir	
MATERIAL	COLOR	TE REF
matiere	couleur	ref TE

THIS DRAWING IS A CONTROLLED DOCUMENT FOR TYCO ELECTRONICS CORPORATION. IT IS SUBJECT TO CHANGE AND THE CONTROLLING ENGINEERING ORGANIZATION SHOULD BE CONTACTED FOR THE LATEST REVISION. CE PLAN EST UN DOCUMENT CONTROLE PAR TYCO ELECTRONICS INCORPORATED. IL EST SUSCEPTIBLE D'UNE REVISION. CONTACTER LE SERVICE CLIENT DE TYCO ELECTRONICS FRANCE POUR OBTENIR LA DERNIERE REVISION.		DWN/DESSINE M. POLIFONTE 10MAY2007	Tyco Electronics France SAS 95300 Pontoise, France	
DIMENSIONS: mm		CHK/VERIFIE X. ROULLIARD 10MAY2007	NAME MOS SOCKET HOUSING 12 POS GENERATION 11 module 12 voies generation 11	
TOLERANCES UNLESS OTHERWISE SPECIFIED: mm 0 DEC/DEC/4 0.25 DEC/DEC/4 0.5 DEC/DEC/4 1 DEC/DEC/4 1.5 DEC/DEC/4 2 DEC/DEC/4 3 DEC/DEC/4 4 DEC/DEC/4 5 DEC/DEC/4 ANGLES ±5°		APVD/APROUVE J. DAHER 10MAY2007	DRAWING NO No PLAN	
MATERIAL SEE TABLE		FINISH SEE TABLE	PRODUCT SPEC SPEC. PRODUIT 108-15261	RESTRICTED TO RESERVE A
MATERIAL SEE TABLE		FINISH SEE TABLE	APPLICATION SPEC SPEC. APPLICATION 411-15565	SIZE FORMAT A2
MATERIAL SEE TABLE		FINISH SEE TABLE	WEIGHT MASSE APPROX. 2g	CAGE CODE DRAWING NO No PLAN A200779
MATERIAL SEE TABLE		FINISH SEE TABLE	CUSTOMER DRAWING /PLAN CLIENT	UNIQUEMENT POUR REFERENCE
MATERIAL SEE TABLE		FINISH SEE TABLE	SCALE Echelle 4:1	SHEET FEUILLE 1
MATERIAL SEE TABLE		FINISH SEE TABLE	OF DE 1	REV B