

PART NAME: KNOB & SKIRT

SCALE: 1:1

DATE: 8/25/99

DR. BY TL

DAVIES MOLDING COMPANY  
CAROL STREAM, ILLINOIS 60188

P/N 4109AR

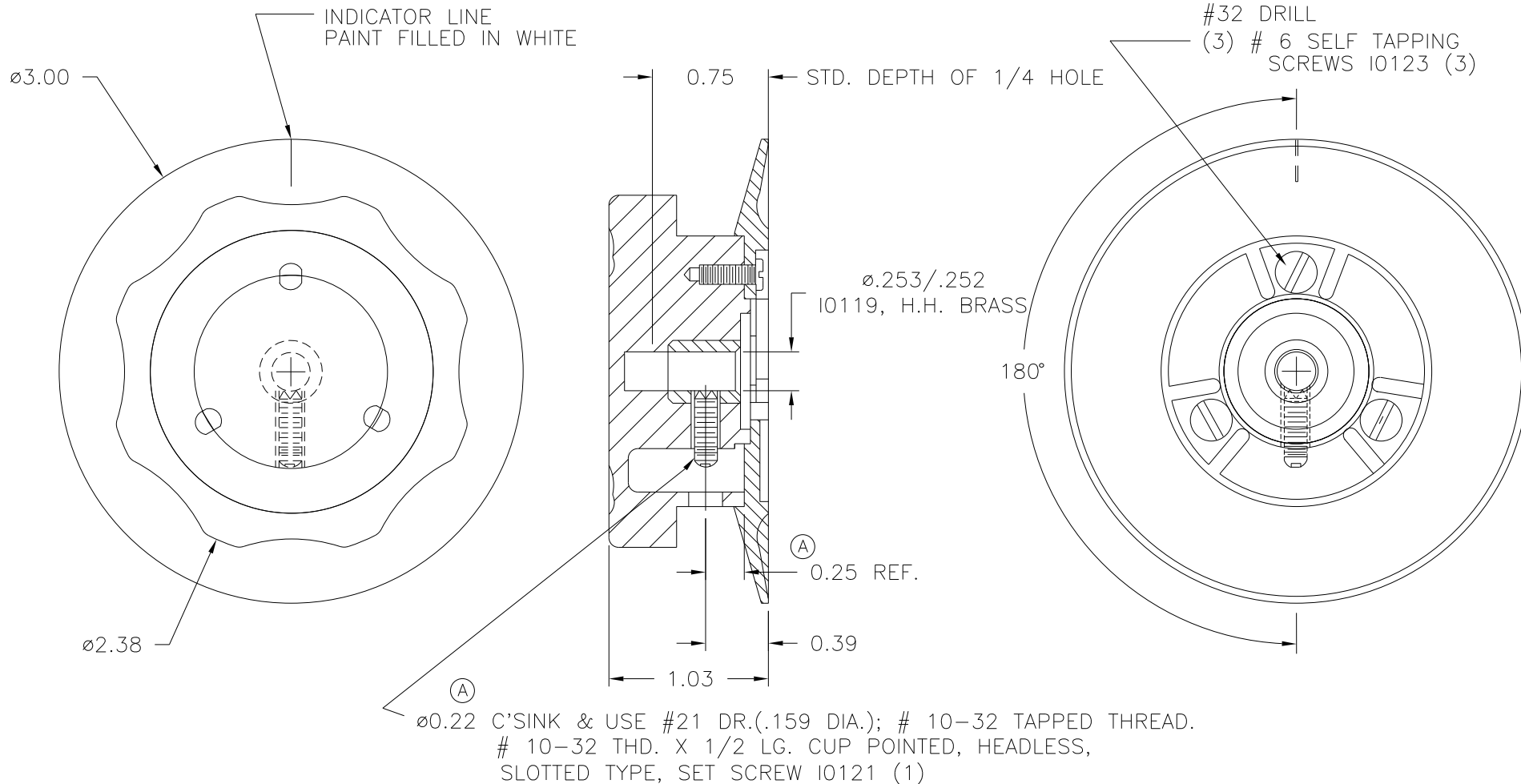
THIS DRAWING IS THE PROPERTY OF DAVIES MOLDING COMPANY, IS SUBMITTED SOLELY AS A DESIGN OR ENGINEERING PROJECT.  
WE ACCEPT NO RESPONSIBILITY WHATSOEVER FOR THE PRACTICAL APPLICATION OF THE PIECES MADE TO THIS DESIGN.

BASE PART 4103-01

SKIRT 4113-M

SCREWS I0123 (3)

SET SCREW I0121



MATERIAL: G.P. PHENOLIC (B11)  
COLOR: BLACK

TOLERANCES: UNLESS OTHERWISE SPECIFIED	DO NOT SCALE DRAWING	B	ADDED DRILL	JAM	10/24/11
DECIMALS: X.XXX ± .005 X.XX ± .015	MM: X.XX ± 0.15MM X.X ± 0.4MM	A	ADDED DIM.	JAM	10/10/11
FRACTIONS ± 1/64	ANG. ± 1°	-	UPDATED TOOLBOX	JAM	2/21/03
CHANGES					