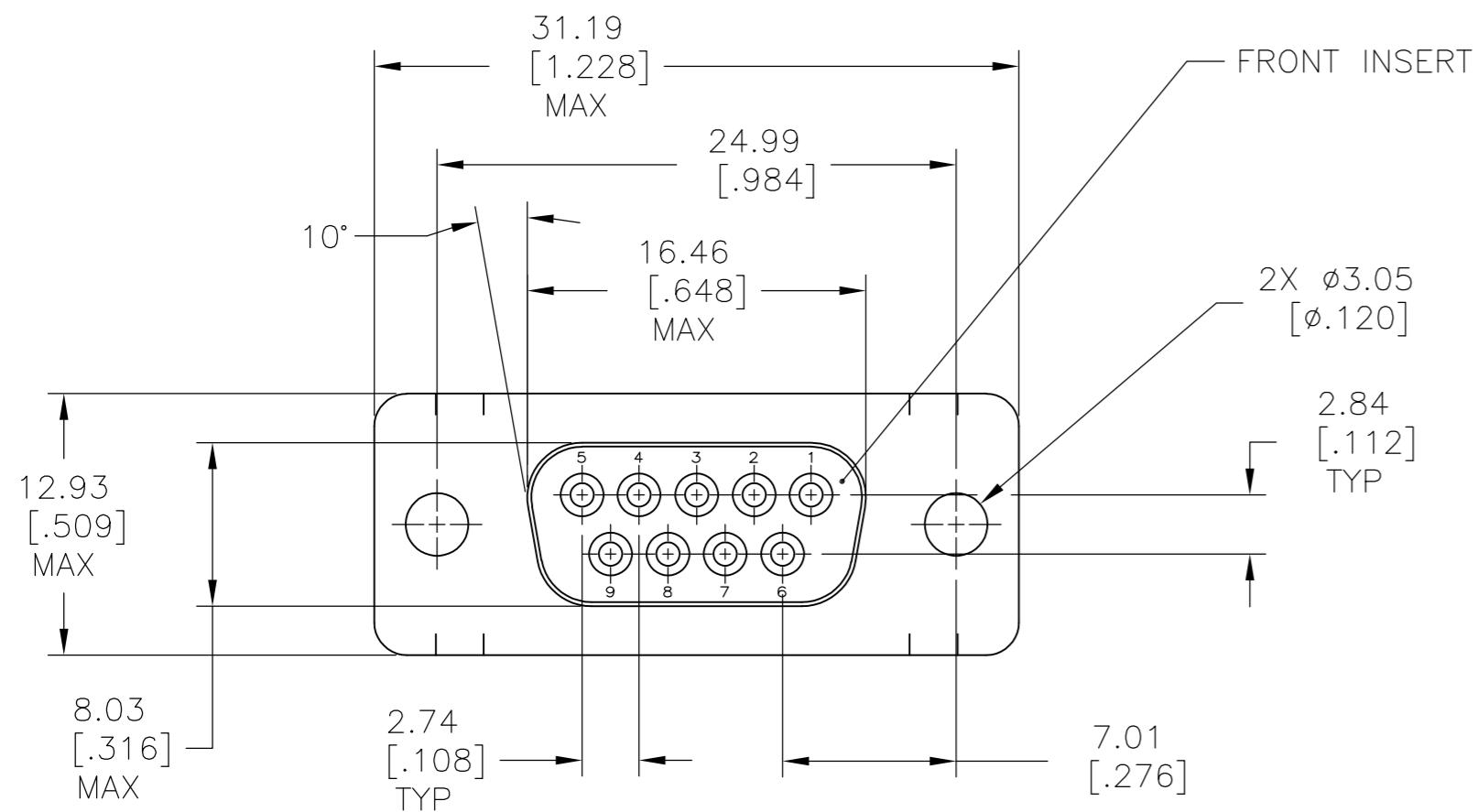
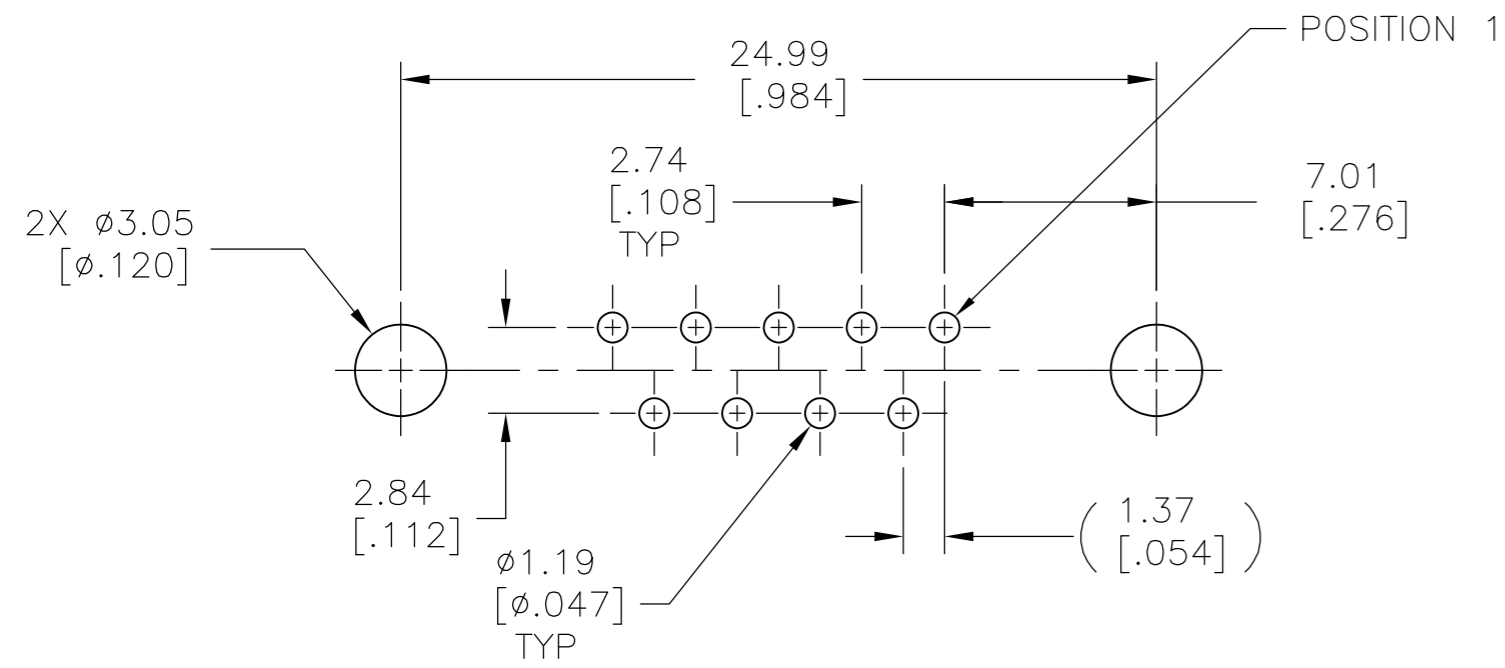
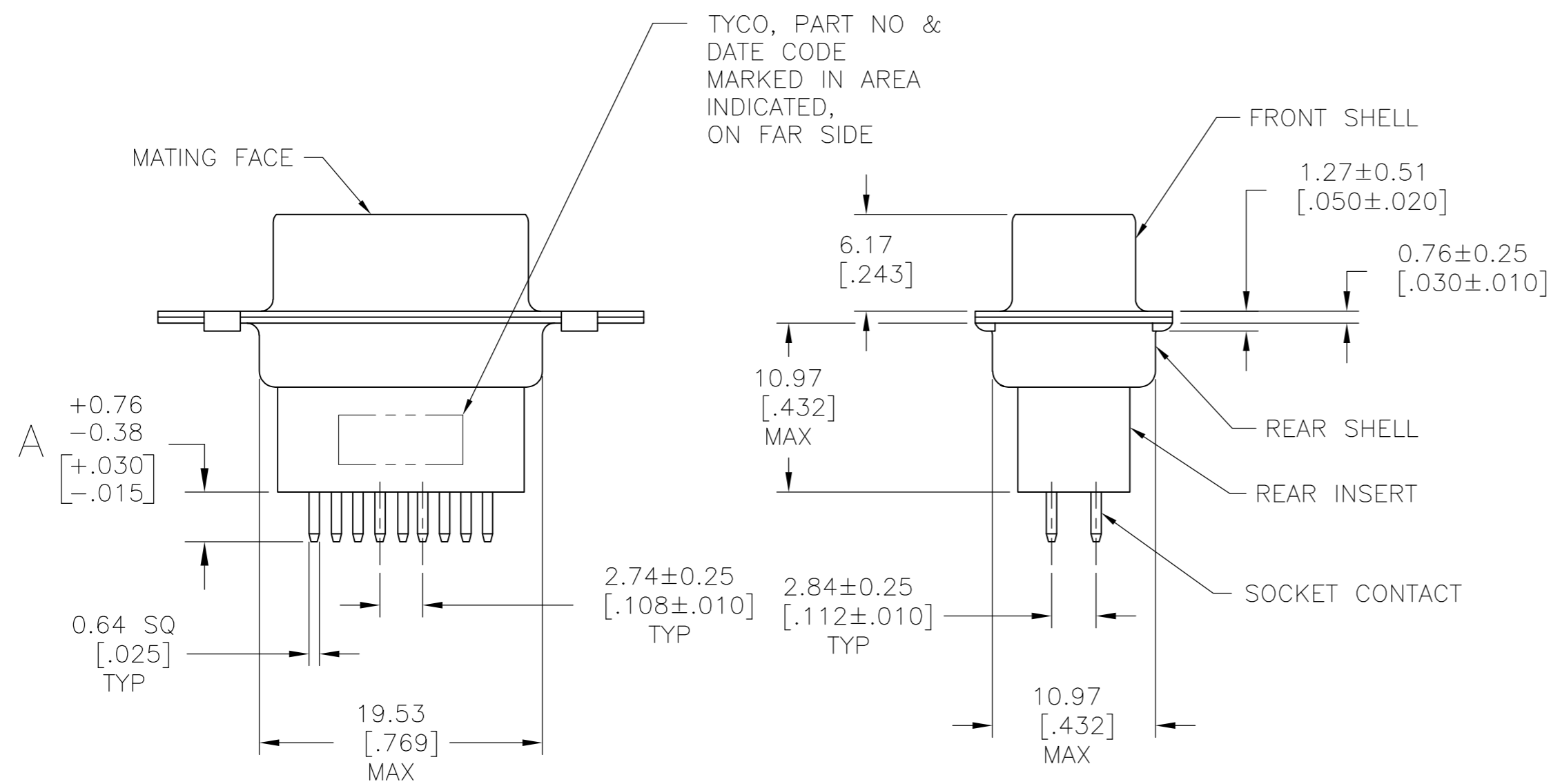


THIS DRAWING IS UNPUBLISHED. RELEASED FOR PUBLICATION  
 © COPYRIGHT 2005 By - ALL RIGHTS RESERVED.

LOC		DIST		REVISIONS			
P	LTR	DESCRIPTION		DATE	DWN	APVD	
GP	00	D		REVISED PER ECO-14-011808	09AUG2014	AP	SB



- 1 MOLDED PARTS: GLASS-FILLED PBT OR GLASS-FILLED NYLON, UL94V-0 RATED.  
 COLOR: BLACK  
 SHELLS: CARBON STEEL.  
 CONTACTS: PHOS BRONZE.
- 2 SHELLS: 5.08 $\mu$ m [.000200] MIN ZINC WITH YELLOW CHROMATE COATING.  
 CONTACTS: GOLD FLASH PLATED FOR LENGTH OF 3.81 [.150] MIN FROM MATING END,  
 2.54 $\mu$ m [.000100] MIN TIN ON SOLDER END, BOTH OVER  
 1.27 $\mu$ m [.000050] MIN NICKEL.
- 3 SHELLS: 5.08 $\mu$ m [.000200] MIN ZINC WITH YELLOW CHROMATE COATING.  
 CONTACTS: GOLD PLATED FOR LENGTH OF 3.81 [.150] MIN FROM MATING END,  
 0.76 $\mu$ m [.000030] MIN GOLD IN MATED AREA,  
 2.54 $\mu$ m [.000100] MIN TIN ON SOLDER END, BOTH OVER  
 1.27 $\mu$ m [.000050] MIN NICKEL.  
 OR  
 GOLD FLASH OVER PALLADIUM-NICKEL PLATED FOR LENGTH OF  
 3.81 [.150] MIN FROM MATING END,  
 0.76 $\mu$ m [.000030] MIN TOTAL IN MATED AREA,  
 2.54 $\mu$ m [.000100] MIN TIN ON SOLDER END, BOTH OVER  
 1.27 $\mu$ m [.000050] MIN NICKEL.



P.C. BOARD MOUNTING DIMENSIONS

3	4.78 [.188]	5205734-7
3	16.54 [.651]	5205734-5
2	10.85 [.427]	5205734-4
3	3.18 [.125]	5205734-1
GOLD FINISH		A
PART NO		

THIS DRAWING IS A CONTROLLED DOCUMENT.		DWN B. LATTUCA 02SEPT05		
DIMENSIONS: mm [INCHES]		CHK S. BOLASH 02SEPT05		
TOLERANCES UNLESS OTHERWISE SPECIFIED:		APVD M. WALMSLEY 02SEPT05	NAME	
0 PLC $\pm$ -	1 PLC $\pm$ -	PRODUCT SPEC	RECEPTACLE ASSEMBLY, SIZE 1, 9 POSN, VERTICAL, AMPLIMITE HDP	
2 PLC $\pm$ -	3 PLC $\pm$ .005	APPLICATION SPEC	-	
4 PLC $\pm$ -	ANGLES $\pm$ -	108-40025	SIZE	CAGE CODE
FINISH		114-40013	A2	00779
MATERIAL		WEIGHT -	DRAWING NO	
1	2 3	CUSTOMER DRAWING	RESTRICTED TO	
			SCALE	SHEET
			NTS	1 OF 1
			REV	D