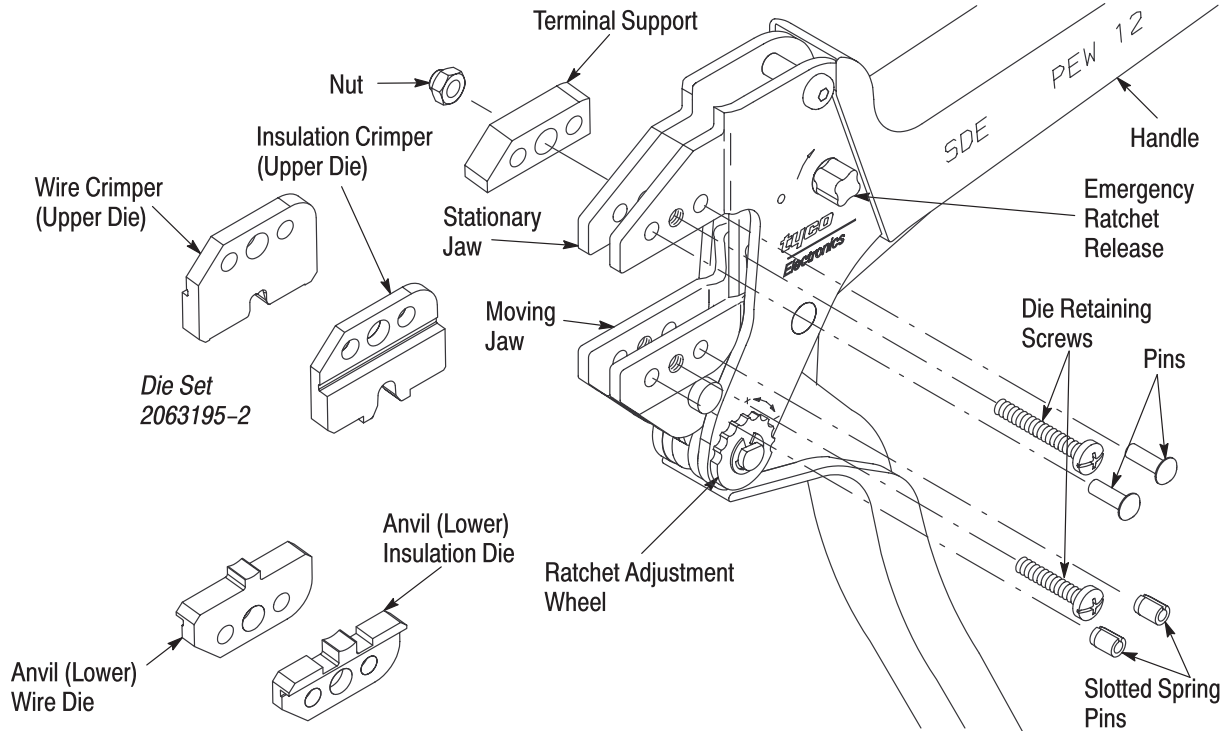


PROPER USE GUIDELINES

Cumulative Trauma Disorders can result from the prolonged use of manually powered hand tools. Hand tools are intended for occasional use and low volume applications. A wide selection of powered application equipment for extended-use, production operations is available.



DIE ASSEMBLY	CONTACT PART NO.	WIRE SIZE mm ² [AWG]	INSULATION	
			SIZE	STRIP LENGTH
2063500-2	1600961-[]	2.0-3.4 [14-12]	3.05-4.47 [.120-.176]	5.97-6.73 [.235-.265]

Figure 1

1. INTRODUCTION



Dimensions in this instruction sheet are in millimeters with [inches in brackets]. Figures and illustrations are for reference only and are not drawn to scale.

SDE PEW-12 Commercial Hand Tool Assembly 2063500-1 consists of SDE PEW-12 Frame Assembly 9-1478240-0 (Instruction Sheet 408-8851) and die set assembly 2063500-2. See Figure 1. The tool is used to crimp terminal numbers provided in the table in Figure 1.

The die set consists of an indenter (upper die) and an anvil (lower die). The tool frame holds a die assembly with two crimping chambers. See Figure 1. Die retaining screws are used to secure the dies in the tool frame.

The tool features a ratchet and an adjustment wheel with a range of settings. The ratchet ensures that the tool has completed the cycle and will not release until the handles have been FULLY closed, unless the emergency ratchet release is rotated to manually release the ratchet. The adjustment wheel controls the amount of handle pressure exerted on the dies during the crimping procedure.

2. DESCRIPTION

The tool frame features two jaws, a handle, ratchet adjustment wheel, and an emergency ratchet release.



The dies bottom before the ratchet releases. This feature ensures maximum tensile performance of the crimp. DO NOT re-adjust the ratchet.

3. INSTALLATION AND REMOVAL OF DIE SET AND LOCATOR ASSEMBLY (Figure 1)

1. Open the tool handles and remove the two die retaining screws from the tool jaws.
2. Place the wire anvil so that the chamfered side and the marked surfaces face outward, when mounted in the moving jaw of the tool frame.
3. Insert the short die retaining screw through the jaw and through the anvil die, and tighten the screw just enough to hold the die in place. Do *not* tighten the screw completely at this time.
4. Place the wire crimper so that the chamfered side and the marked surface face outward, when mounted in the stationary jaw of the tool frame.
5. Insert the long die retaining screw through the jaw and through the crimper die, and tighten the screw just enough to hold the die in place. Do *not* tighten the screw completely at this time.
6. Carefully close the tool handles, making sure that the anvil and crimper align properly. Continue closing the tool handles until the ratchet in the tool frame has engaged sufficiently to hold the anvil and crimper in place, then tighten both die retaining screws.
7. Place the nut onto the end of the long screw and tighten the nut enough to hold the terminal support in place.
8. To disassemble, close the tool handles until the ratchet releases, remove the nut, terminal support, the two die retaining screws, and slide the anvil and crimper out of the tool jaws.



The ratchet has detents with audible “clicks” as the handles are closed. The ratchet releases on the sixth “click”.

4. CRIMPING PROCEDURE



This tool is provided with a crimp adjustment feature. Initially, the crimp height should be verified as specified in Figure 3. Refer to Section 5, CRIMP HEIGHT INSPECTION, and Section 6, CRIMP HEIGHT ADJUSTMENT, to verify crimp height before using the tool to crimp desired contacts and wire sizes.

Refer to the table in Figure 1 and select wire of the specified size and insulation diameter. Strip the wire to the length indicated in Figure 1, taking care not to nick or cut wire strands. Select an applicable contact and identify the appropriate crimp section according to the wire size markings on the tool. Refer to Figure 2 and proceed as follows:

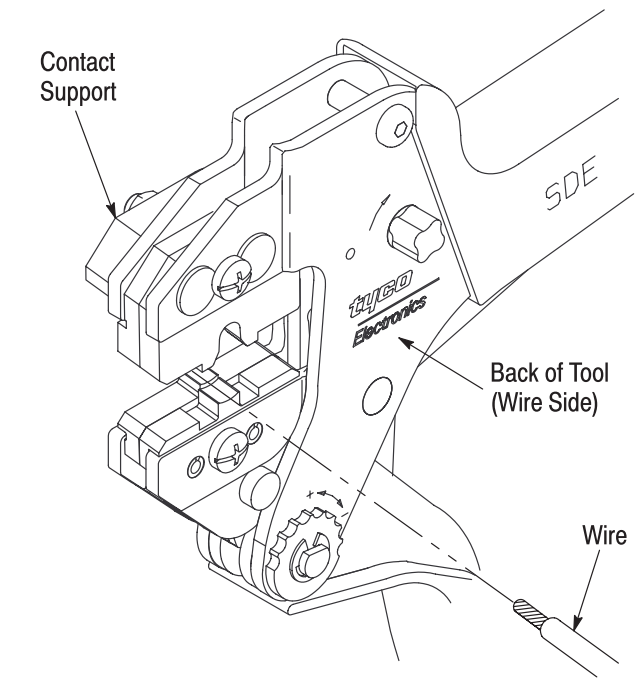


Figure 2

1. Hold the tool so that the back (wire side) is facing you. Squeeze tool handles together and allow them to open fully.
2. Holding the contact by the mating end, insert the contact through the front of the tool and into the appropriate crimp section.

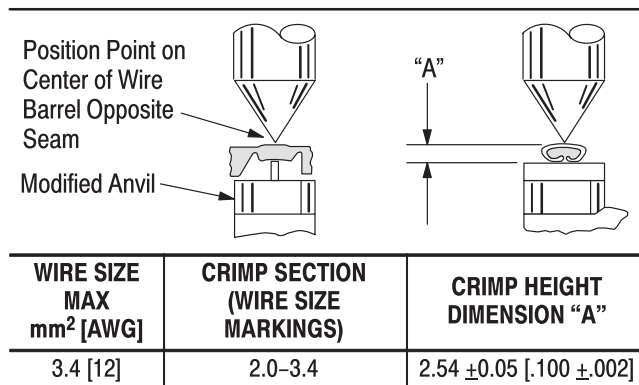


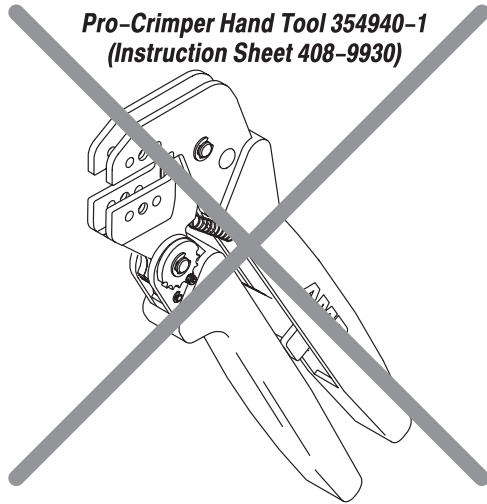
Figure 3

3. Position the contact so that the mating end of the contact is on the terminal support side of the tool, and so that the open “U” of the wire barrel faces the top of the tool. Place the contact up into the nest so that the wire barrel is centered on the wire crimper.

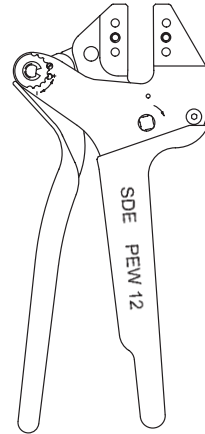


Make sure that both sides of the wire barrel are started evenly into the crimping section. Do NOT attempt to crimp an improperly positioned contact.

2063500-2 Die Set can be Used in Tools Show Below



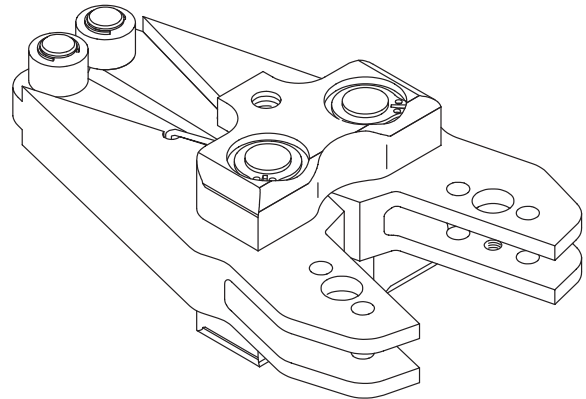
**SDE PEW-12 Hand Tool 9-1478240-0
(Instruction Sheet 408-8851)**



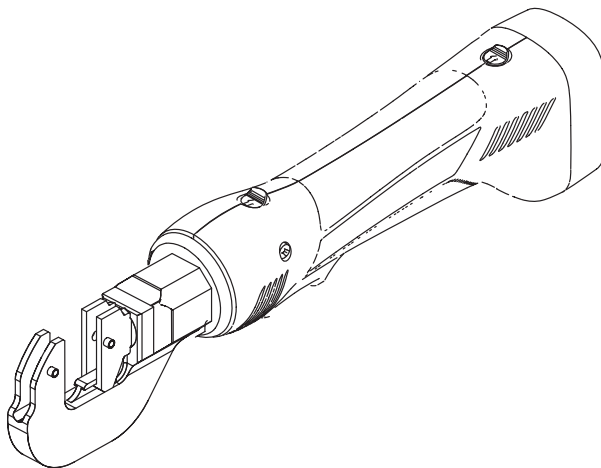
**SDE Bench Terminator 1490076-2
(Customer Manual 409-10052)**



**626 Adapter 679304-1
(Instruction Sheet 408-4070)**



**Battery Tool (Shouldered Die) 1725837-1, -2
(Customer Manual 409-10053)**



**Battery Tool (Pin Die) 1213890-1, -2
(Customer Manual 409-10065)**

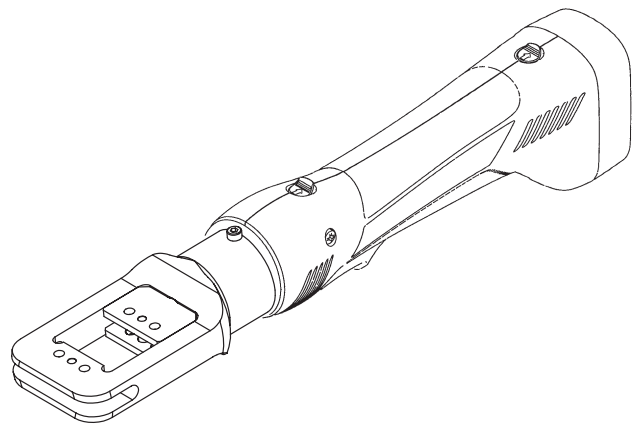


Figure 5