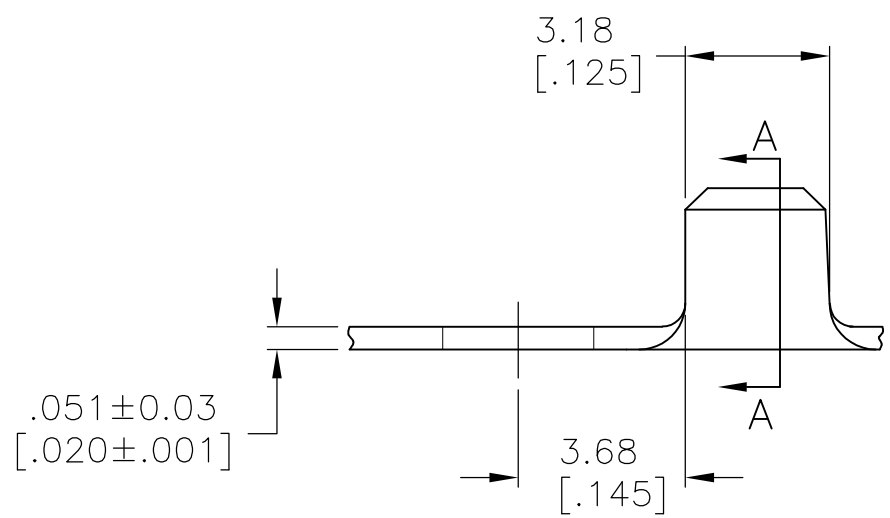
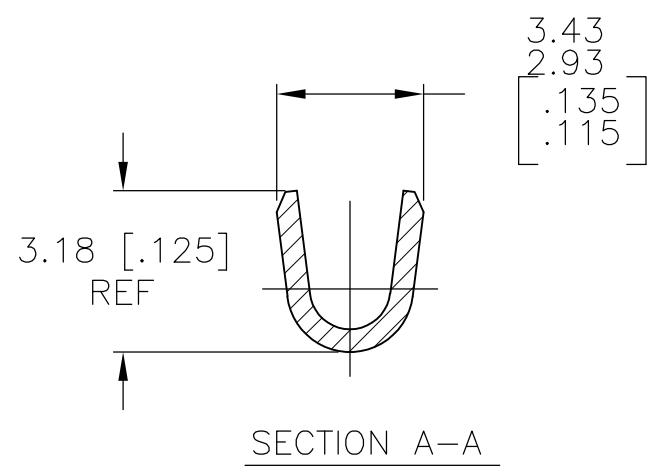
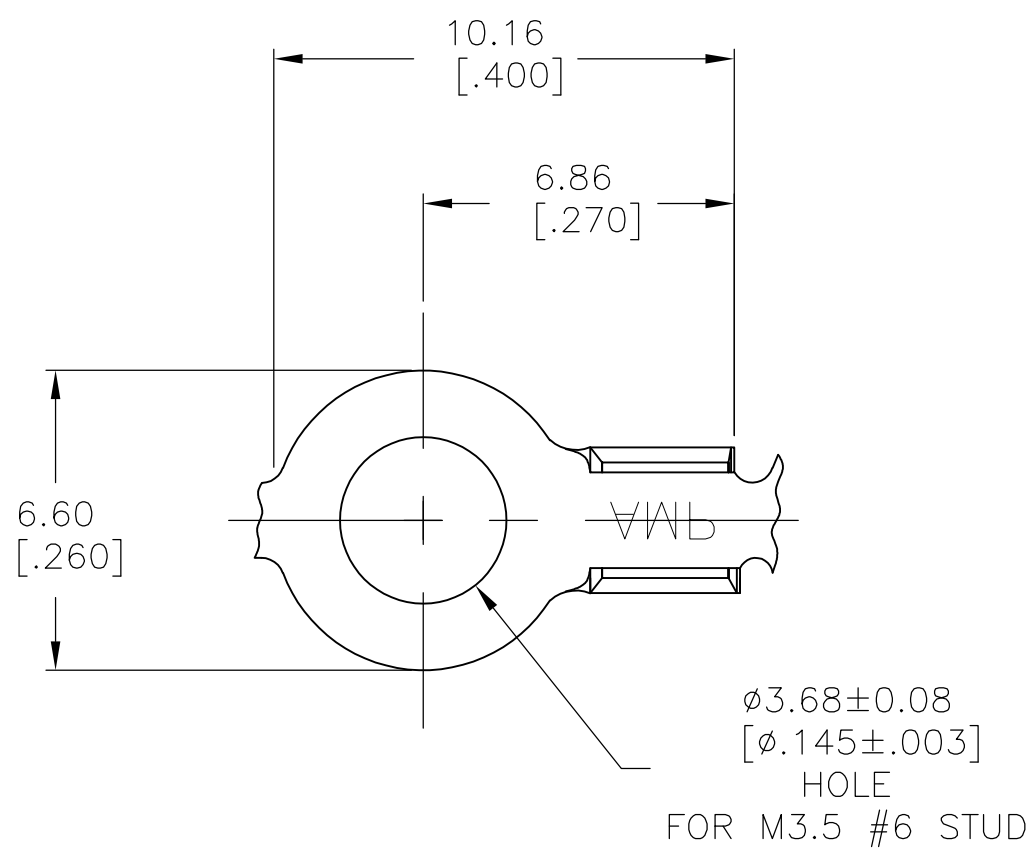


THIS DRAWING IS UNPUBLISHED. RELEASED FOR PUBLICATION
 © COPYRIGHT BY TYCO ELECTRONICS CORPORATION. ALL INTERNATIONAL RIGHTS RESERVED.

LOC	DIST	REVISIONS			
P	LTR	DESCRIPTION	DATE	DWN	APVD
AF	50	D1	REVISED PER ECR-09-001244	03MAR09	HMR JR

1 CONTINUOUS STRIP ON REELS



T3 STEEL	0.5-1.4mm ² [#20-#16]	40811-1
BRASS	0.5-1.4mm ² [#20-#16]	40811
MATERIAL	WIRE RANGE	PART NO

THIS DRAWING IS A CONTROLLED DOCUMENT.		DWN RAGHAVENDRA 23FEB09	Tyco Electronics Corporation Harrisburg, PA 17105-3608	
DIMENSIONS: mm [INCHES]		CHK JEFF RUTH 23FEB09	NAME	
TOLERANCES UNLESS OTHERWISE SPECIFIED:		APVD DON DECKER 23FEB09	RING	
0 PLC ± -		PRODUCT SPEC	SIZE CAGE CODE DRAWING NO RESTRICTED TO	
1 PLC ± -		APPLICATION SPEC	A3 00779 C-40811	
2 PLC ± -		WEIGHT -	SCALE 6:1 SHEET 1 OF 1 REV D1	
3 PLC ± 0.38 [.015]		CUSTOMER DRAWING		
4 PLC ± -				
ANGLES ± -				
MATERIAL SEE TABLE		FINISH TIN		