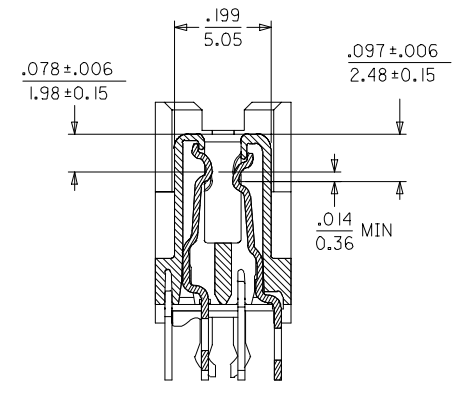
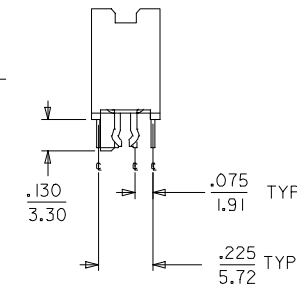
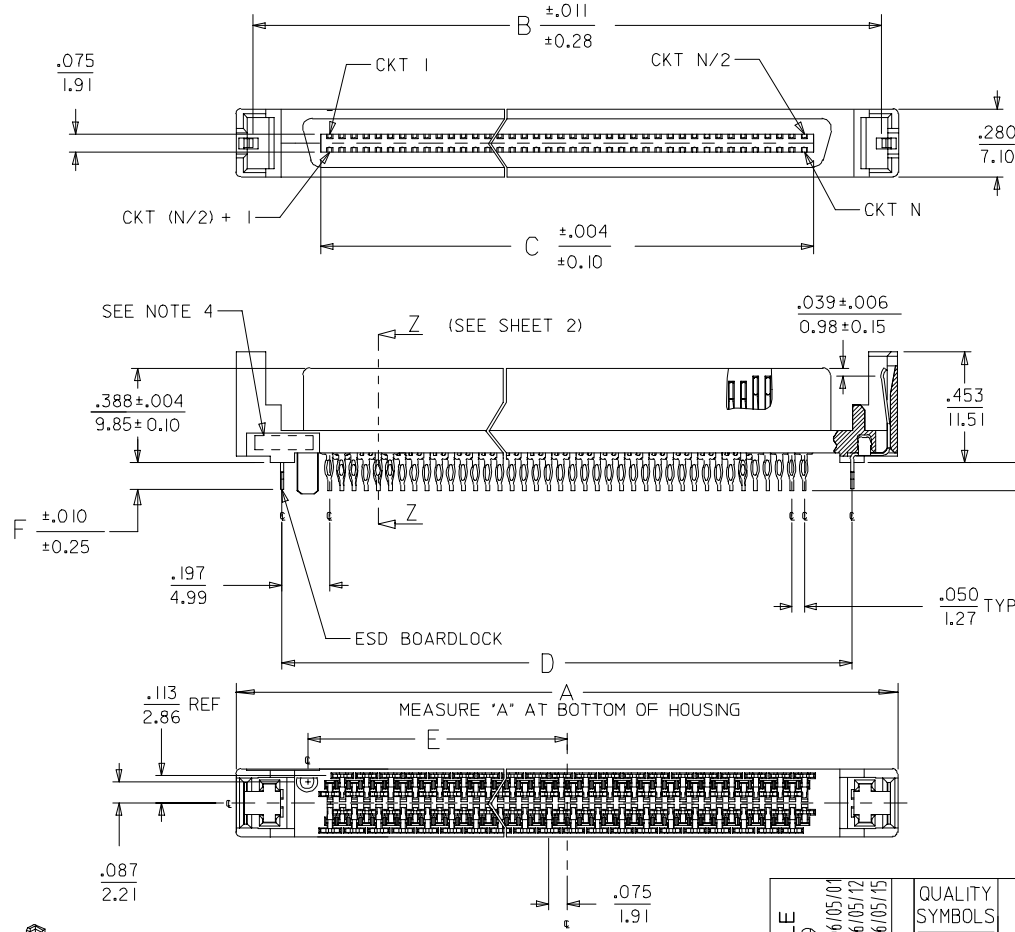


NOTES:

1. MATERIAL:
HOUSING: I.R. COMPATIBLE POLYMER, GLASS FILLED, UL 94 V 0, BLACK
TERMINALS: COPPER ALLOY
BOARDLOCK: COPPER ALLOY
2. FINISH:
TERMINALS: SELECTIVE GOLD IN CONTACT AREA
THICKNESS = 30 MICROINCHES / 0.763 MICROMETERS
SELECTIVE TIN-LEAD IN TAIL AREA
THICKNESS = 100 MICROINCHES / 2.54 MICROMETERS
NICKEL UNDERPLATE OVERALL.
ESD BOARDLOCK:
TIN OVERALL.
3. PRODUCT SPECIFICATION: PS-73826-0000
4. FOUR DIGIT DATE CODE IN THIS LOCATION (WK YR).
5. CONTACT GAP WILL ACCOMMODATE MATING CONNECTOR OF:
.063+/- .003 (1.60+/- 0.08)
6. PART MATES WITH ALL PLUGS MFG. IN ACCORDANCE WITH EIA-700A0AE.



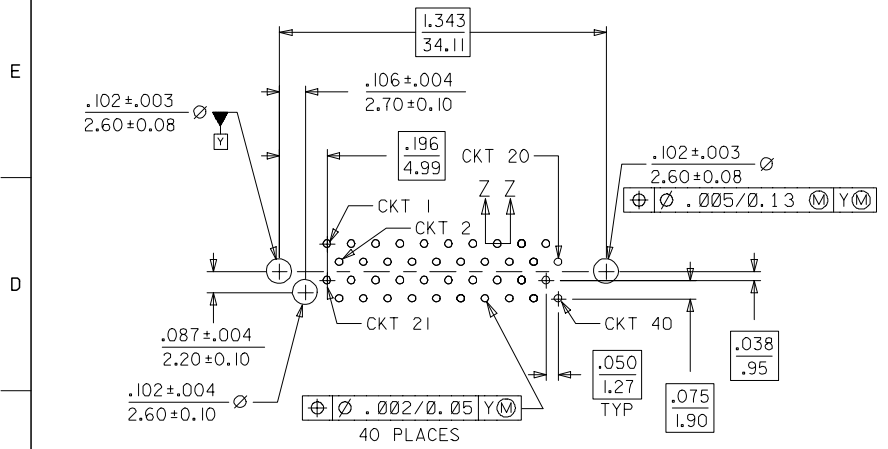
SECTION Z-Z
SCALE - 4:1

2	K
1	K
SHEET REVISION	

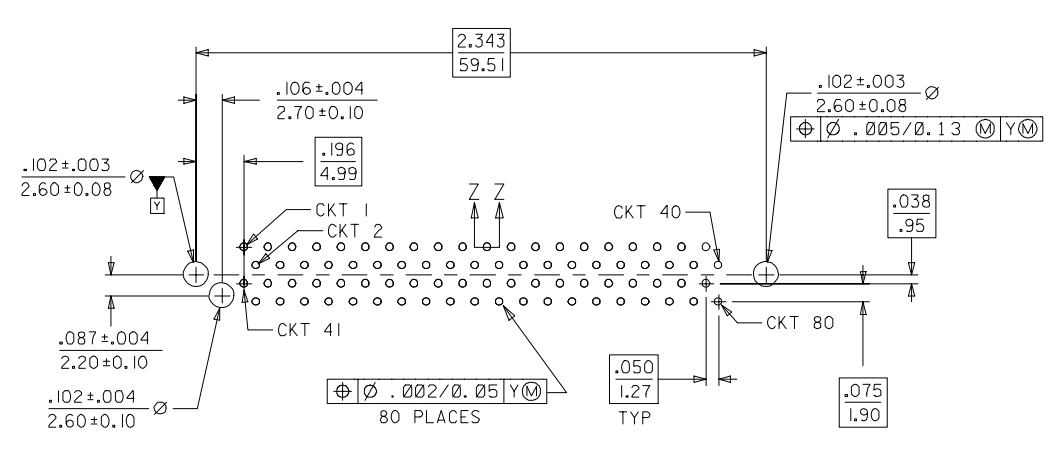
CLARIFY PCB HOLE EC NO: UCP2006-2509 DRWN: BARKER 2006/05/01 CHKD: BSMART 2006/05/12 APPR: SMILLER 2006/05/15	QUALITY SYMBOLS	GENERAL TOLERANCES (UNLESS SPECIFIED)	DIMENSION STYLE	SCALE	DESIGN UNITS	THIRD ANGLE PROJECTION SALES ASSEMBLY MOLEX SCA-2 PRESS-FIT RECEPTACLE MOLEX INCORPORATED
	▽=0 ▽=0	mm INCH 4 PLACES ± --- ± --- 3 PLACES ± --- ± .005 2 PLACES ± 0.13 ± .010 1 PLACE ± 0.25 ± --- ANGULAR ±1/2°	IN/MM	2:1	INCH	
	DRAWN BY: ACHAMMER 12/09/1997 CHECKED BY: ACHAMMER 02/10/1998 APPROVED BY: BANAK IS 02/12/1998	TITLE		MOLEX INCORPORATED DOCUMENT NO. SD-73826-001		
	DRAFT WHERE APPLICABLE MUST REMAIN WITHIN DIMENSIONS	MATERIAL NO. SEE TABLE	SHEET NO. 1 OF 2			

80 CIRCUIT SHOWN
SCALE - 1:1

MATERIAL NUMBER	CIRCUIT SIZE	DIMENSION A	DIMENSION B	DIMENSION C	DIMENSION D	DIMENSION E	DIMENSION F	DIMENSION P	ADVANCED TERMINALS / CIRCUITS (SECTION Z-Z, SHEET 1)
738260001	80	2.717/(69.0)	2.583/(65.6)	2.025/(51.44)	2.343/(59.5)	1.066/(27.06)	.109/(2.77)	.125/(3.18)	1, 36, 37, 38, 39, 40, 41, 42, 43, 45, 46, 75, 76, 77, 78, 79, 80
738260002	40	1.717/(43.6)	1.583/(40.2)	1.025/(26.04)	1.343/(34.1)	.566/(14.38)	.109/(2.77)	.125/(3.18)	21, 22, 23, 26, 29, 32, 35, 36, 37, 38, 39, 40
738260003	80	2.717/(69.0)	2.583/(65.6)	2.025/(51.44)	2.343/(59.5)	1.066/(27.06)	.109/(2.77)	.135/(3.43)	1, 36, 37, 38, 39, 40, 41, 42, 43, 45, 46, 75, 76, 77, 78, 79, 80
738260004	40	1.717/(43.6)	1.583/(40.2)	1.025/(26.04)	1.343/(34.1)	.566/(14.38)	.109/(2.77)	.135/(3.43)	21, 22, 23, 26, 29, 32, 35, 36, 37, 38, 39, 40

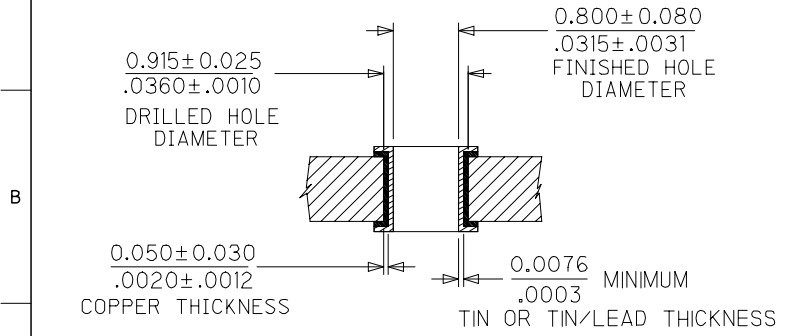


PCB LAYOUT FOR 40 CIRCUIT COMPONENT SIDE



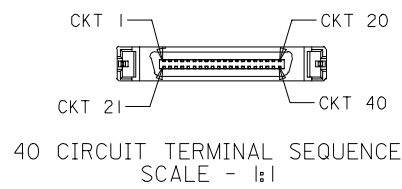
PCB LAYOUT FOR 80 CIRCUIT COMPONENT SIDE

RECOMMENDED BOARD THICKNESS = .093

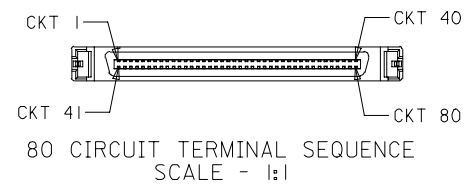


NOTE: SECTION Z-Z - RECOMMENDED PCB HOLE CONFIGURATION

THE DRILLED HOLE SIZE IS BASED ON THE RECOMMENDED PLATING AND THICKNESSES. IF OTHER PLATING TYPES AND/OR THICKNESSES ARE USED, A DRILL SIZE THAT WILL RESULT IN THE FINISHED HOLE SIZE INDICATED WILL NEED TO BE USED.



40 CIRCUIT TERMINAL SEQUENCE SCALE - 1:1



80 CIRCUIT TERMINAL SEQUENCE SCALE - 1:1

CLARIFY PCB HOLE EC NO: UCP2006-2509 DRWN: BARKER 2006/05/01 CHKD: BSMART 2006/05/12 APPR: SMILLER 2006/05/15	QUALITY SYMBOLS ▽=0 ▽=0	GENERAL TOLERANCES (UNLESS SPECIFIED) <table border="1"> <thead> <tr> <th></th> <th>mm</th> <th>INCH</th> </tr> </thead> <tbody> <tr> <td>4 PLACES</td> <td>± .005</td> <td>± .002</td> </tr> <tr> <td>3 PLACES</td> <td>± .005</td> <td>± .005</td> </tr> <tr> <td>2 PLACES</td> <td>± 0.13</td> <td>± .010</td> </tr> <tr> <td>1 PLACE</td> <td>± 0.25</td> <td>± .010</td> </tr> </tbody> </table> ANGULAR ±1/2°		mm	INCH	4 PLACES	± .005	± .002	3 PLACES	± .005	± .005	2 PLACES	± 0.13	± .010	1 PLACE	± 0.25	± .010	DIMENSION STYLE IN/MM DRAWN BY: ACHAMMER DATE: 12/09/1997 CHECKED BY: DATE: APPROVED BY: BANAKIS DATE: 02/10/1998	SCALE 2:1 DESIGN UNITS INCH THIRD ANGLE PROJECTION	TITLE SALES ASSEMBLY MOLEX SCA-2 PRESS-FIT RECEPTACLE
		mm	INCH																	
	4 PLACES	± .005	± .002																	
	3 PLACES	± .005	± .005																	
2 PLACES	± 0.13	± .010																		
1 PLACE	± 0.25	± .010																		
MATERIAL NO. SEE TABLE	DOCUMENT NO. SD-73826-001	SHEET NO. 2 OF 2	MOLEX MOLEX INCORPORATED																	
DRAFT WHERE APPLICABLE MUST REMAIN WITHIN DIMENSIONS		THIS DRAWING CONTAINS INFORMATION THAT IS PROPRIETARY TO MOLEX INCORPORATED AND SHOULD NOT BE USED WITHOUT WRITTEN PERMISSION																		
REV K	DESCRIPTION																			