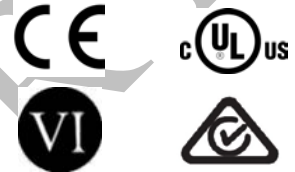




## 36W Medical Grade Adapter with Interchangeable Plugs\*



\*Plugs sold separately

### Features

- Meets DoE Level VI and CoC V Tier 2
- Field Changeable AC Plugs
- IEC60601-1:2005+A:2012 2xMOPP approved
- IEC60601-1-2 Ed4 2014 compliant
- Meets Type BF requirements
- LPS compliant
- OVP, OCP, SCP, OTP, brown-in and brown-out protections

### Applications

- Ventilators
- Workstations
- Monitoring machines
- Ultrasound machine

### Safety Approvals

- UL 60601-1
- CE
- RCM
- IEC 60601-1

### Mechanical Characteristics

- Length: 106.5mm (4.19in)
- Width: 51.5mm (2.03in)
- Height: 38.5mm (1.52in)
- Weight: 220g (7.76oz)

### Output Specifications

Model	DC Output Voltage	Load		Ripple <sup>(1)</sup> P-P (max.)	Regulation Line & Load	Efficiency Level	Case Color
		Min.	Max.				
PMA36R-120PHW	12V	0A	3A	150mV	±5%	VI	White

(1) Test by 20Mhz bandwidth mode hi resolution with 10uF and 0.1uF capacitor

Phihong is not responsible for any error, and reserves the right to make changes without notice. Please visit our website at [www.phihong.com](http://www.phihong.com) for the most up-to-date specifications and contact information.

**Input:****AC Input Voltage Rating**

115 to 230V AC

**AC Input Voltage Range**

90 to 264V AC

**AC Input Frequency**

47 to 63Hz

**Input Current**

1.2A max at 100VAC

**Leakage Current**

&lt;100uA at 264VAC/50Hz

**Inrush Current**

80A maximum at 240V AC

**Output:****Efficiency**

DOE Level VI and CoC V5 tier 2

**Environmental:****Temperature**

Operation	+10°C to +40°C
Non-operation	-20°C to +80°C
Relative Humidity	90% RH Max

**Emissions**

IEC 60601-1-2:2014  
 FCC PART 18 CLASS B  
 EN55011 CLASS B  
 AS/NZS CISPR11 CLASS B

**Immunity**

ESD:	EN 61000-4-2
RS :	EN61000-4-3
EFT/Burst :	EN61000-4-4
Surge:	EN 61000-4-5
CS :	EN61000-4-6
Power Frequency Magnetic Field :	EN61000-4-8
Voltage Dips :	EN61000-4-11

**Over-Voltage Protection**

17V auto recover

**Short-Circuit Protection**

The power supply shall be protected when operating any output in overload condition, or when operating any output in a short. The power supply shall be self-recovering when the fault condition is removed circuit condition.

**Over-Current Protection**

The power supply will be protected when output power at 4.35A(min) of all rated dc output. Auto-recover

**Over-Temperature Protection**

Latch off mode

**Dielectric Withstand (Hi-pot) Test**

Pri. to Sec. &gt;4000VAC 10mA for 1 Minute

**DC Output Connector**

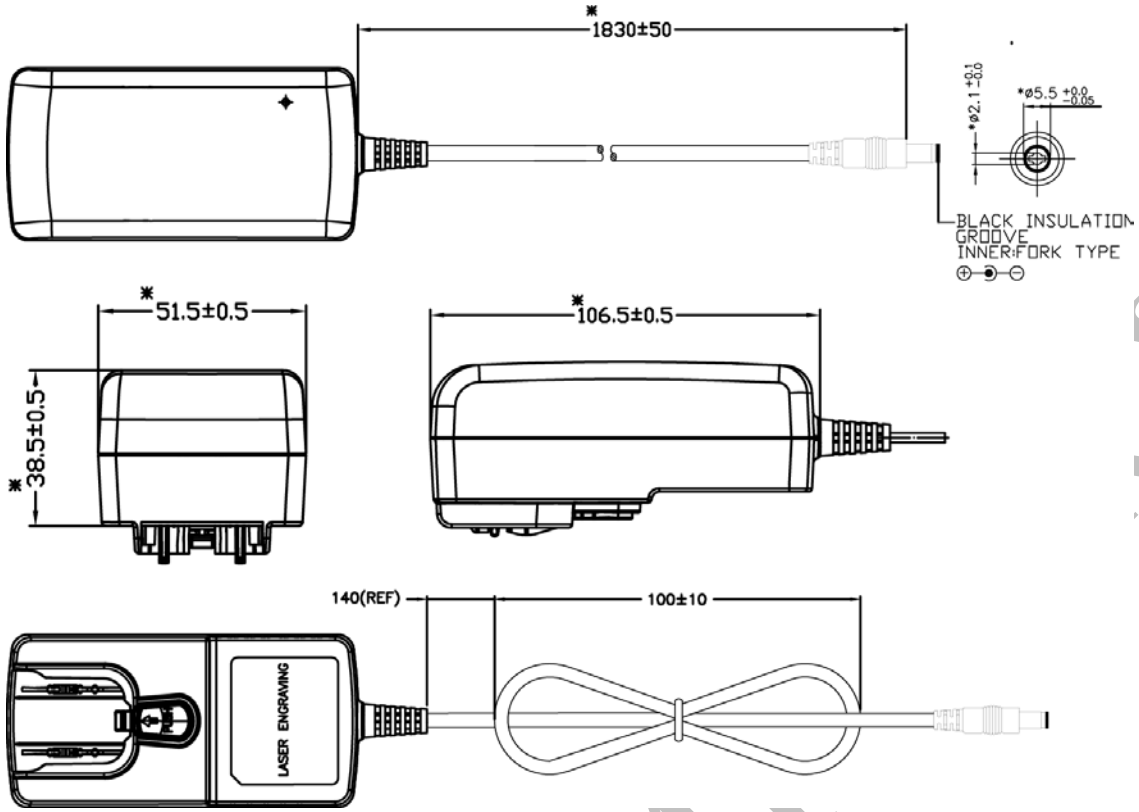
DC plug type 5.5 x 2.1 x 10mm (fork &amp; groove)

DC plug pin assignment: Inner (+V), Outer GND(-)

**Medical AC Input Clips (sold separately)**

<u>Part no:</u>	<u>Description:</u>
RPA-MAB1W	US – white
RPB- MAB1W	Brazil – white
RPE- MAB1W	Euro – white
RPH- MAB1W	Korea – white
RPK- MAB1W	UK – white
RPN-MAB1W	Argentina – white
RPS- MAB1W	AU – white

Dimension Diagram Unit: mm (inch)



PRELIM