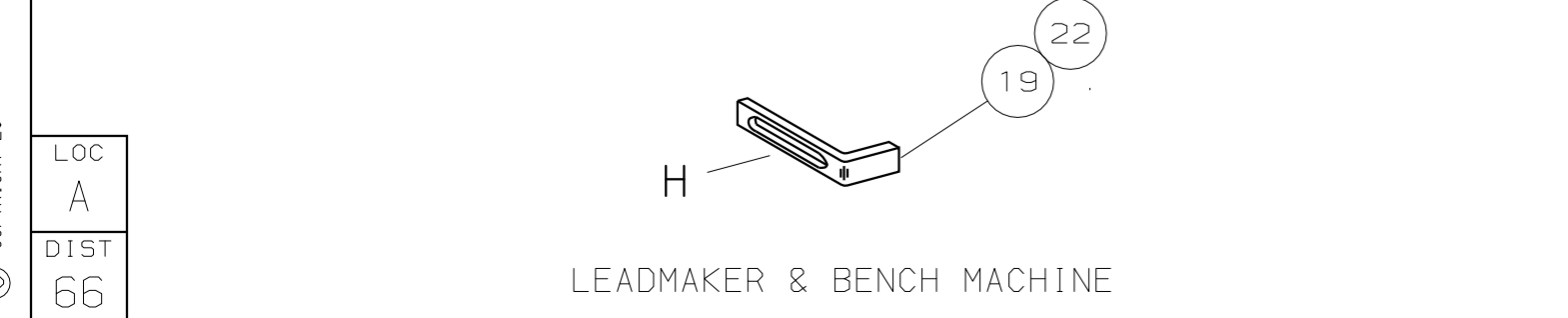
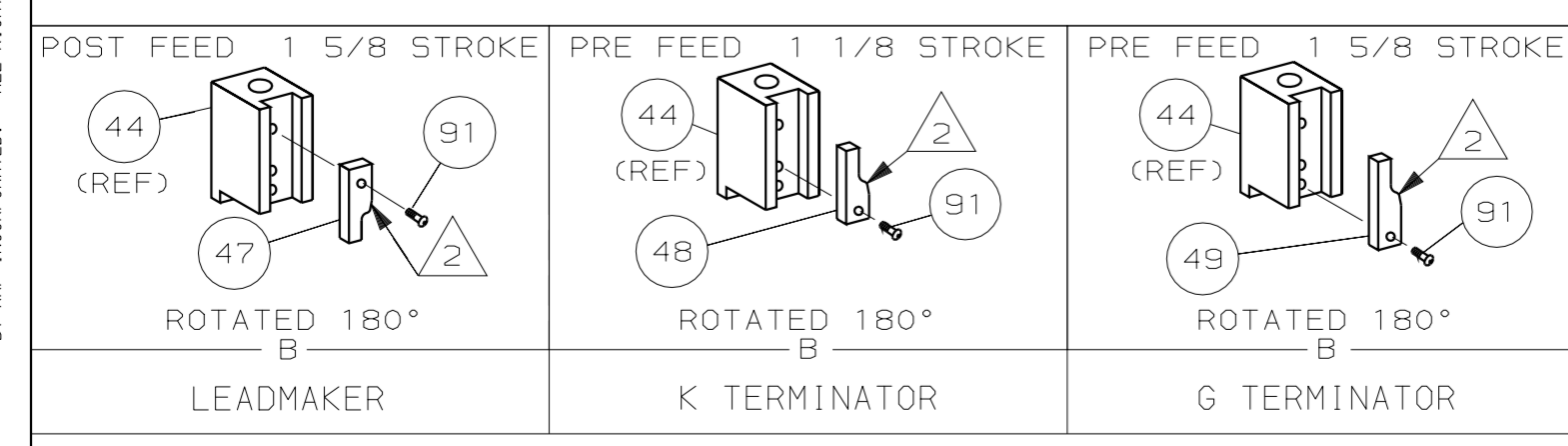
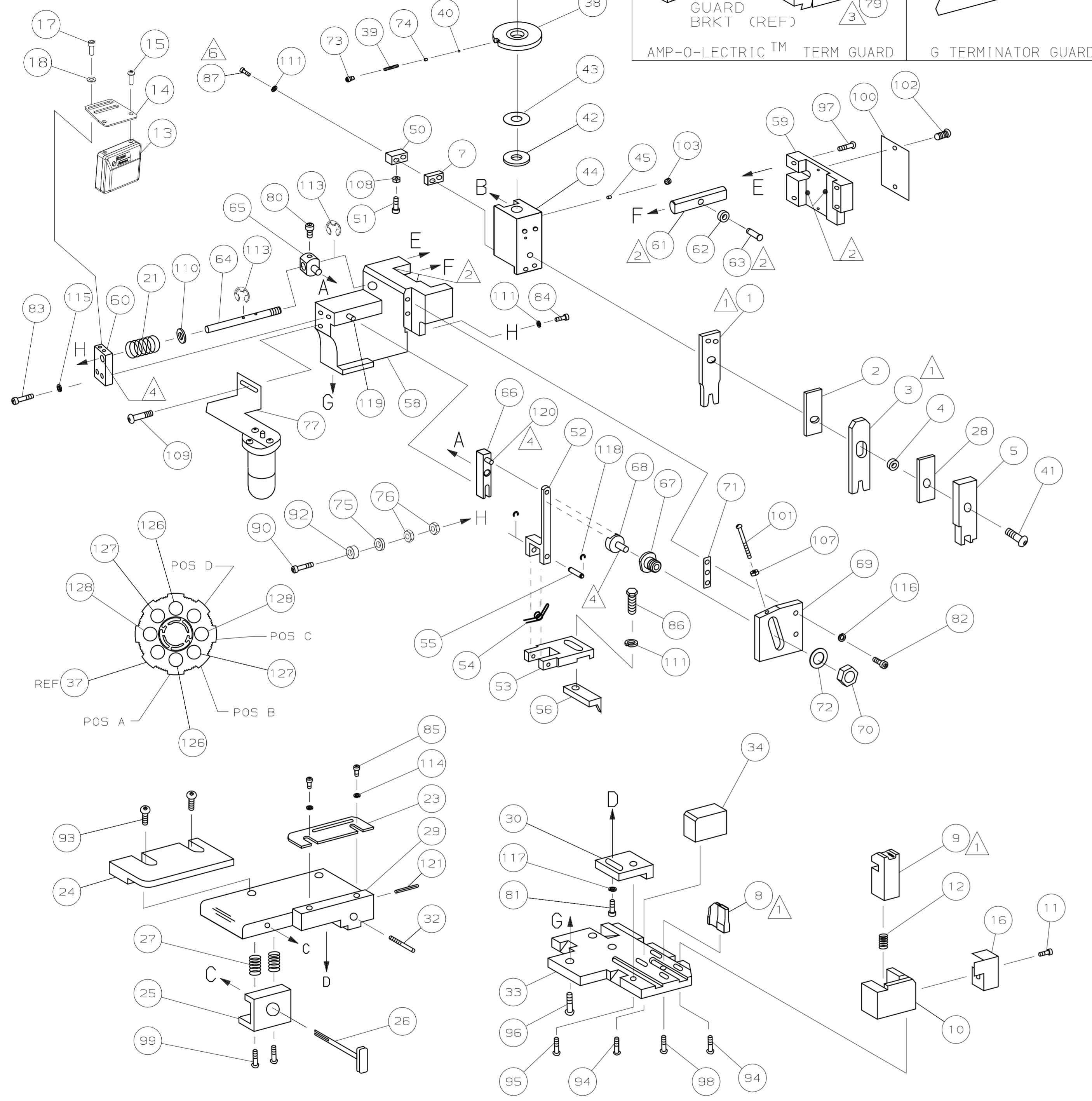
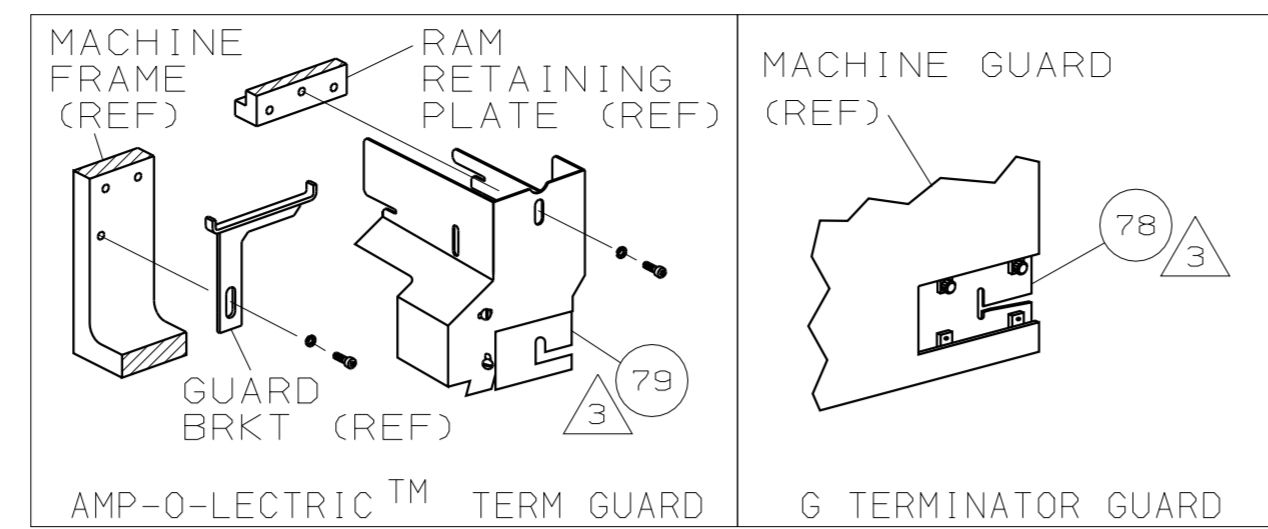


PART NUMBER	REV	FIRST USED
567051-1	A	122500-1
567051-2	B	565435-5
567051-3	B	354500-1

OBSOLETE



- 1 RECOMMENDED SPARE PARTS.
- 2 GREASE LIGHTLY.
- 3 GUARD MUST BE IN PLACE WHEN OPERATING APPLICATOR IN A BENCH MACHINE.
- 4 LUBRICATE DAILY USING NO. 20 MACHINE OIL.
- 5. ITEMS WITH QTY OF REF SPECIFIED (EXCEPT ITEMS 78 AND 79) ARE USED ON ITEM 46.
- 6 CUT TO LENGTH AT ASSY

TERMINAL NAME: MULTI-INTERLOCK CONN RECPT			
AMP TERMINAL		AMP CRIMP SPECS	
PAD LTR	CRIMP HEIGHT	WIRE SIZE	
A	.055 ±.002 [1.41 ±0.05mm]	18	
B	.050 ±.002 [1.27 ±0.05mm]	20	
C	.046 ±.002 [1.17 ±0.05mm]	22	
D	NOT	USED	
CRIMP	SIZE	TYPE	RANGE
WIRE	.070 [1.78mm]	F	22-18
INSUL	.130 [3.30mm]	F	.059-.102

QTY	REF	REF	REF	U/M	DWG SIZE	PART NO	DESCRIPTION	ITEM NO
2	2	2	-	C		3-354779-0	PIN, WIRE DISC (.3140)C	129
2	2	2	-	C		2-354779-2	PIN, WIRE DISC (.3100)B	127
2	2	2	-	C		1-354779-2	PIN, WIRE DISC (.3050)A	126
1	1	1	-	A		986950-1	WASHER, FLAT PRECISION	125
1	1	1	-	A		217238-1	GENERAL INSTRUCTION PACKAGE	124
1	1	1	-	-		4088040	SF APPL INST 408-8040	123
1	1	1	-	A		4-21028-0	PIN,SLT SPR(Ø.093x.75)ST GDE PL	122
REF	REF	REF	-	A		1-21030-1	PIN,DOWEL(Ø.187x.50)LEVER	120
REF	REF	REF	-	A		1-21030-6	PIN,DOWEL(Ø.187x1.25)HOUSING	119
REF	REF	REF	-	A		21045-3	RING,RET "C"(Ø.187)FD FING PIN	118
1	1	1	-	A		21024-5	WASHER, LOCK(#10)ADJ BLK	117
REF	REF	REF	-	A		21024-5	WASHER,LOCK(#10)ADJ PLATE	116
REF	REF	REF	-	A		21024-5	WASHER,LOCK(#10)FEED GDE ROD	115
2	2	2	-	A		21024-2	WASHER,LOCK(#4)FRONT STP GUIDE	114
REF	REF	REF	-	A		1-21046-6	RING, RET, EXT 5/16	113
4	4	4	-	A		21024-4	WASHER, LOCK(#8)STRIPPER	112
REF	REF	REF	-	A		21899-4	WASHER,FLAT(Ø5/16)SCREW ADJ	111
-	1	-	-	A		2-21002-6	SCR,BHC(10-32x.38)LUBE ASSY	109
1	1	1	-	A		21018-5	NUT, HEX(NO. 6)HOLDDOWN	108
REF	REF	REF	-	A		21068-5	NUT, HEX(6-32)FEED ADJ	107
								106
								105
								104
1	1	1	-	A		21009-2	SCR,SKT SET(1/4-20x.25 LW)RAM	103
2	2	2	-	A		21017-2	SCR,DRIVE(#2x.19)ID PLATE	102
REF	REF	REF	-	A		6-23715-5	SCR,PAN HD(6-32x1.50)FEED ADJ	101
1	1	1	-	B		461264-1	PLATE, IDENTIFICATION	100
2	2	2	-	A		3-21002-0	SCR,BHC(10-32x.88)DRAG	99
1	1	1	-	A		22733-8	SCR,BHC(8-32x.38 LW)ANVIL	98
REF	REF	REF	-	A		2-21002-9	SCR,BHC(10-32x.75)CAP	97
REF	REF	REF	-	A		2-22733-8	SCR,BHC(1/4-20x.62)HOUSING	96
REF	REF	REF	-	A		2-21002-7	SCR,BHC(10-32x.50)SG ADJ BLOCK	95
4	4	4	-	A		2-21002-2	SCR,BHC(8-32x.50)TERM H DWN	94
2	2	2	-	A		2-21002-3	SCR,BHC(8-32x.62)R STP GDE	93
REF	REF	REF	-	A		1804299-1	SPACER, MAGNET	92
1	1	1	-	A		1-21002-7	SCR,BHC(6-32x.38)CAM	91
REF	REF	REF	-	A		3-21081-3	SCR, SHC 1/4-20 X 1.25	90
								89
								88
2	2	2	-	A		2-21000-8	SCR,SHC(8-32x.62)DEP-HOLD	87
1	1	1	-	A		2-22603-0	SCR,HEX HD(8-32x.31)FEED FINGER	86
2	2	2	-	A		1-21000-3	SCR,SHC(4-40x.25)FR ST GUIDE	85
1	1	1	-	A		2-21000-7	SCR,SHC(8-32x.50)STRIPPER	84
REF	REF	REF	-	A		3-21000-7	SCR,SHC(10-32x.75)FEED ROD GD	83
REF	REF	REF	-	A		3-21000-6	SCR,SHC(10-32x.62)FD ADJ BLK	82
1	1	1	-	A		3-21000-4	SCR,SHC(10-32x.38)SG ADJ BL	81
REF	REF	REF	-	A		3-21000-4	SCR,SHC(10-32x.38)PIVOT BLK	80
-	REF	-	-	B		455749-1	GUARD, WINDOW	79
REF	-	-	-	B		679532-1	INSERT, GUARD	78
-	1	-	-	C		1-465184-0	LUBRICATOR ASSY	77
REF	REF	REF	-	A		22593-1	NUT, HEX JAM	76
REF	REF	REF	-	A		1804310-1	MAGNET, RING	75
1	1	1	-	A		690603-1	SPRING, ASSIST	74
1	1	1	-	A		23030-1	SCR,SHC(6-32x.25 SL)INS DISC	73
REF	REF	REF	-	A		458109-1	WASHER, SPECIAL	72
REF	REF	REF	-	A		690517-1	SPACER	71
-3	-2	-1	U/M	DWG SIZE		PART NO	DESCRIPTION	ITEM NO

QTY	REF	REF	REF	U/M	DWG SIZE	PART NO	DESCRIPTION	ITEM NO
1	1	1	-	B		458537-2	PAWL, FEED	56
REF	REF	REF	-	B		240624-1	PIN, FEED FINGER	55
REF	REF	REF	-	B		691499-1	SPRING, FEED FINGER	54
REF	REF	REF	-	B		690541-1	HOLDER, FEED FINGER	53
REF	REF	REF	-	A		455679-1	LEVER, TERMINAL FEED ARM	52
1	1	1	-	A		811242-2	BUMPER, HOLDDOWN	51
1	1	1	-	A		690753-1	SPACER, TONKER	50
1	-	-	-	B		690602-6	CAM, PRE-FEED 1 5/8 ST	49
-	1	-	-	B		690602-5	CAM, PRE-FEED 1 1/8 ST	48
-	-	-	-	B		690501-4	CAM, POST-FEED 1 5/8 ST	47
1	1	1	-	B		459456-1	APPLICATOR, BASIC (SUBASSY)	46
1	1	1	-	A		690191-1	PLUG, NYLON	45
1	1	1	-	C		455673-1	RAM	44
1	1	1	-	A		690125-1	WASHER, LAMINATED	43
1	1	1	-	A		690124-1	WASHER, RAM	42
1	1	1	-	A		7-21002-9	BOLT, CRIMPER(5/16x1.00)	41
1	1	1	-	A		23241-6	BALL, STEEL	40
1	1	1	-	A		690170-1	SPRING, COMPRESSION	39
1	1	1	-	C		690142-1	DISC, INSULATION	38
1	1	1	-	D		354777-1	DISC, WIRE	37
1	1	1	-	A		22480-5	WASHER, SPRING	36
1	1	1	-	B		690212-1	POST, RAM	35
1	1	1	-	B		690786-3	SUPPORT, TERMINAL	34
REF	REF	REF	-	D		455675-1	PLATE, BASE	33
1	1	1	-	A		690432-3	SCREW, ADJUSTMENT	32
								31
REF	REF	REF	-	B		455689-1	BLOCK, STRIP GUIDE ADJ	30
1	1	1	-	C		455671-1	PLATE, STRIP GUIDE	29
1	1	1	-	C		1-455888-0	SPACER, FRONT SHEAR DEP	28
2	2	2	-	A		1-22284-0	SPRING, DRAG	27
1	1	1	-	B		690546-1	LEVER, DRAG RELEASE	26
1	1	1	-	B		240792-1	DRAG, TERMINAL	25
1	1	1	-	D		7-690504-9	GUIDE, STRIP (REAR)	24
1	1	1	-	A		690438-1	GUIDE, STRIP (FRONT)	23
-	-	-	-	B		690472-2	STRIPPER	22
REF	REF	REF	-	A		4-22284-9	SPRING, FEED RETURN	21
								20
1	1	1	-	B		691353-1	STRIPPER	19
REF	REF	REF	-	A		18028-2	WASHER, FLAT M4	18
REF	REF	REF	-	A		9-21000-9	SCR, SHC 8-32 X .44	17
1	1	1	-	B		318563-1	GUARD, CHIP, FRONT	16
REF	REF	REF	-	A		994991-5	SCR, OVL HD M4 X 12	15
REF	REF	REF	-	A		1804303-1	BRACKET, COUNTER MTG	14
REF	REF	REF	-	A		1804300-1	APPLICATOR COUNTER ASSY	13
1	1	1	-	A		3-22280-3	SPRING, SHEAR	12
1	1	1	-	B		690461-1	STOP, SHEAR	11
1	1	1	-	C		690459-1	HOLDER, SHEAR (FRONT)	10
1	1	1	-	C		454276-1	SHEAR, FLOAT (FRONT)	9
1	1	1	-	C		803653-8	ANVIL	8
1	1	1	-	C		240641-7	SPACER, DEPRESSOR (REAR)	7
								6
1	1	1	-	C		455889-9	DEPRESSOR, SHEAR (FRONT)	5
1	1	1	-	B		238011-7	SPACER, BLOCK CRIMPER	4
1	1	1	-	C		6-456134-9	CRIMPER, INSULATION	3
1	1	1	-	C		455888-6	SPACER, CRIMPER	2
1	1	1	-	C		1-456404-0	CRIMPER, WIRE	1
-3	-2	-1	U/M	DWG SIZE		PART NO	DESCRIPTION	ITEM NO