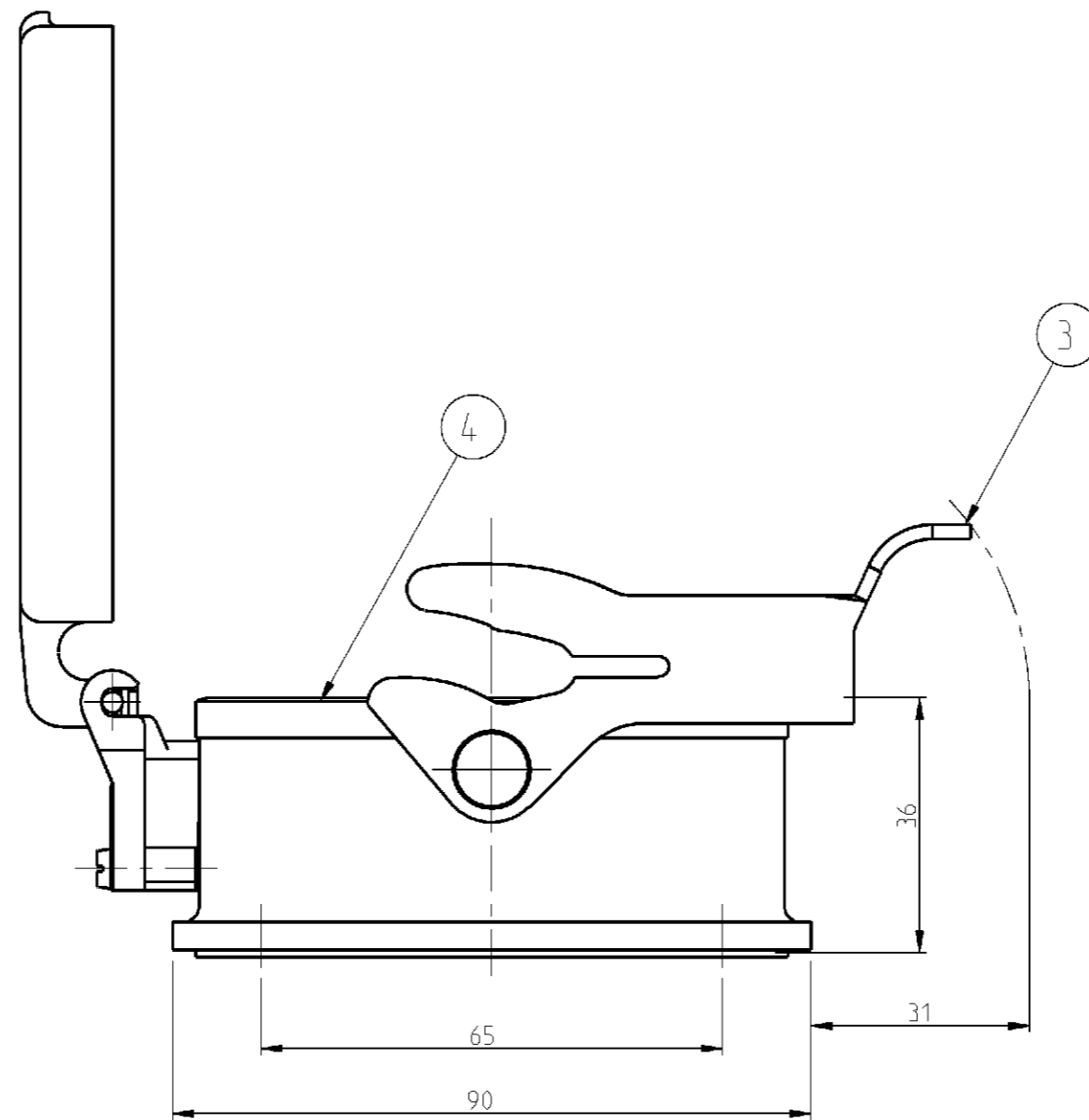
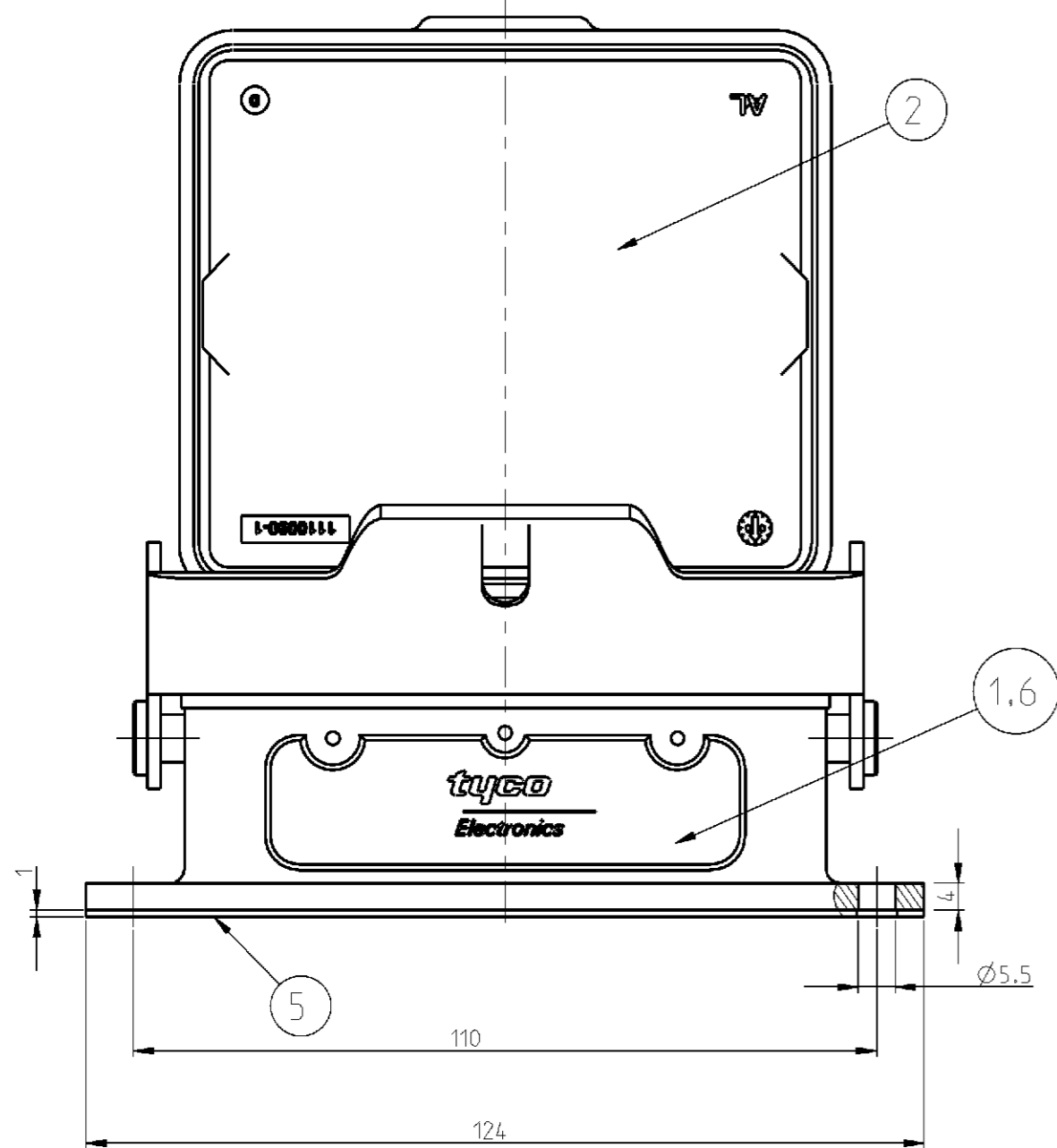


THIS DRAWING IS UNPUBLISHED. RELEASED FOR PUBLICATION
 © COPYRIGHT 20 BY TYCO ELECTRONICS CORPORATION. ALL RIGHTS RESERVED.

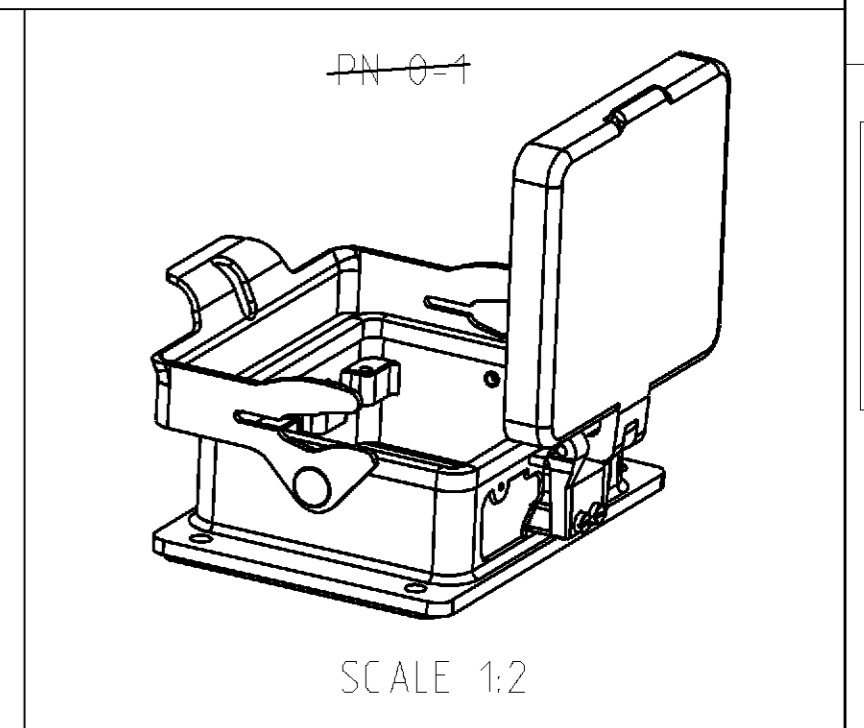
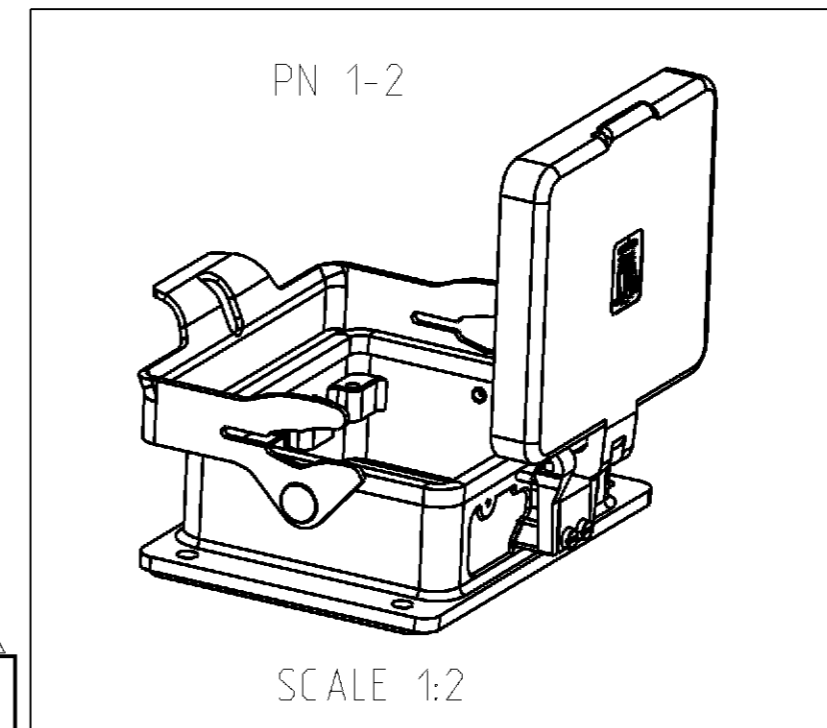
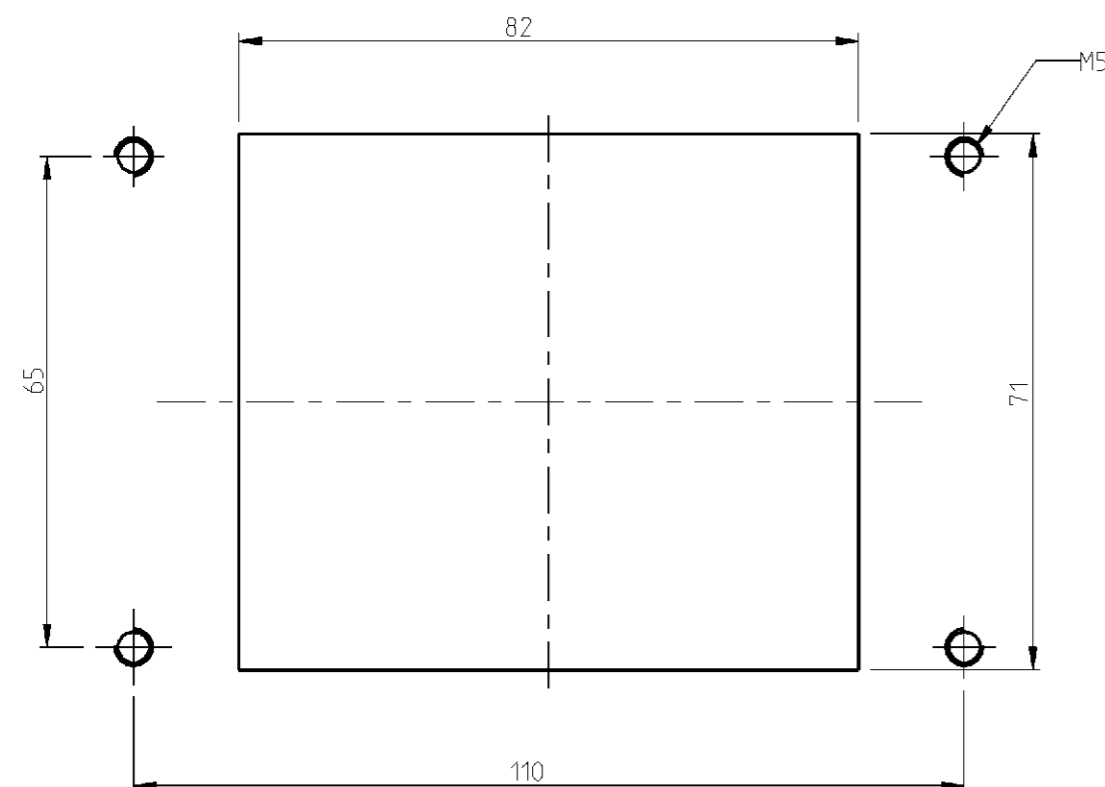
LOC	DIST	REVISIONS			
P	LTR	DESCRIPTION	DATE	DWN	APVD
A1	-				
A2		Released as per ECR-07-010741	02-MAY-07	SK	TS
A3		REVISED PER ECO-09-027197	19JAN10	KK	HMR



NOTES

- 1 Varnish on the inside not necessarily
- 2 neutral execution with out HTS - Logo
- 3 Packaging : 3 pieces in a box
- 6 **OBSOLETE PARTS: OBSOLETE CIS STREAMLINING PER D.RENAUD/D.SINISI**

Panel Cut Out



OBSOLETE 6

QTY	DESCRIPTION	MATERIAL	SURFACE	COLOUR	ITEM NO	REMARK
1	Mounting housing HA.48	Aluminium		Grey	6	
1	Flange seal	Neoprene			5	
1	Profile seal	Neoprene		Black	4	
1	Side clip	Steel	Zincplated	Blue	3	
1	Cover	Aluminium		Grey	2	
1	Mounting housing HA.48	Aluminium		Grey	1	

HA.48.AGD-LB

HA.48.AGD-LB

THIS DRAWING IS A CONTROLLED DOCUMENT FOR TYCO ELECTRONICS CORPORATION. IT IS SUBJECT TO CHANGE AND THE CONTROLLING ENGINEERING ORGANIZATION SHOULD BE CONTACTED FOR THE LATEST REVISION.

DWN Schneider 11.10.02
 CHK Schwelger 11.10.02
 APVD -
 PRODUCT SPEC -
 APPLICATION SPEC -
 WEIGHT -

Tyco Electronics Tyco Electronics, AMP GmbH
 D-53819, Neunkirchen, Germany

NAME Surface mounted housing bottom entry
 HA.48.AGD-LB

SIZE A2 CAGE CODE 00779 DRAWING NO C-1102177 RESTRICTED TO -

CUSTOMER DRAWING SCALE 1:1 SHEET 1 OF 1 REV A3