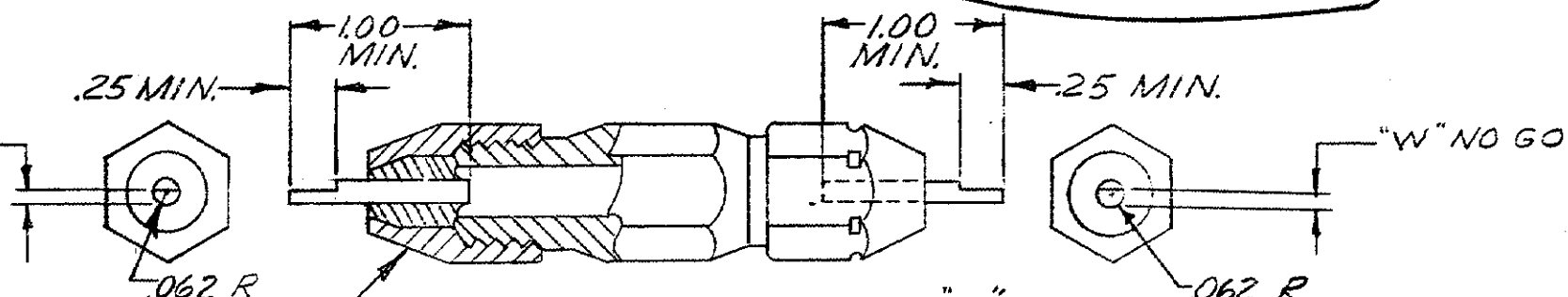


SUGGESTED GAGE FOR "G" DIM. INSULATION CRIMP

SUPERSEDED BY INSTRUCTION SHEET 1535
DATE *11-14-62* **ECN.**

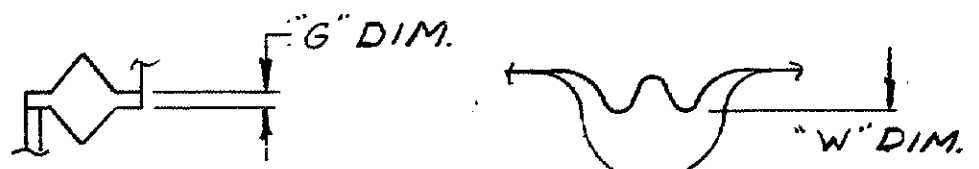


SUGGESTED GAGE FOR "W" DIM. BARREL CRIMP

DOUBLE END HANDLE A.G.D. STANDARD

GAGE DIMENSIONS APPLY WHEN TOOL IS BOTTOMED BUT NOT UNDER PRESSURE.

FOR REPLACEMENT OF PARTS OTHER THAN LISTED, TOOL SHOULD BE RETURNED TO OUR FACTORY TO INSURE PROPER CERTI-CRIMP ADJUSTMENT.



INSULATION CRIMP

BARREL CRIMP

2	A	39207	PIN-ADJUSTMENT	7
2	A	21045-6	RING-RETAINING	6
1	A	300449	PIN-RETAINING	5
1	A	39364	SPRING	4
1	A	39366	COLLAR	3
2	A	300432	PIN-RETAINING	2
4	A	21045-3	RING-RETAINING	1

GAGE DIM.			
"G" AT POS. #1		"W" DIM.	
GO	NOGO	GO	NOGO
.045	.065	.067	.073

REV	DESCRIPTION	BY	CHK	DATE
G	SUPERSEDED	EJF	10-21-70	
F	REVISED	B.S. DJF	4-29-67	
E	REVISED	B.S. DJF	4-29-67	
D	REVISED	C.M. C.M.	12-22-63	
C	REVISED	C.M. C.M.	1-23-63	
B	REVISED	R.Y. DJF	6-14-62	

QTY	DESCRIPTION
1	46988

DWG NO	46988
NUMBER	46988
NAME	46988
REMARKS	46988
ITEM NO	46988
©1959 BY AMP INCORPORATED. ALL RIGHTS RESERVED. AMP PRODUCTS COVERED BY PATENTS AND/OR PATENTS PENDING.	
CUSTOMER COPY REFERENCE ONLY	
AMP INCORPORATED HARRISBURG, PENNA.	
CLASS HIGH TEMPERATURE & HEAT RESISTANT	
TYPE "W" DIAMOND GRIP STRATOTHERM	
WIRE - RANGE	16-14
NEELED ON	H
TOLERANCE EXCEPT AS NOTED	SCALE 1/2" = 1"
LOC	M
NO	B
REV	G
NAME: E.J. Frank 6-14-62	
HAND TOOL ASSEMBLY	

PRINTED IN U.S.A. DIMENSIONS IN INCHES (10 NOT SCALE PRINT)