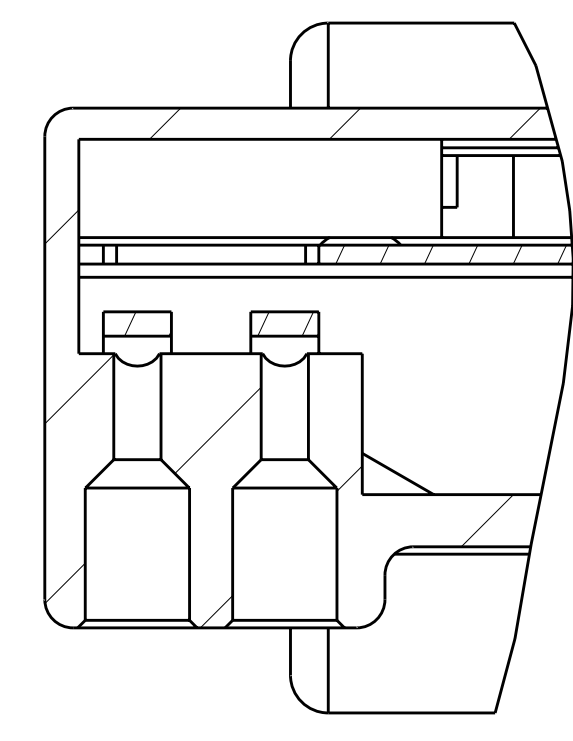


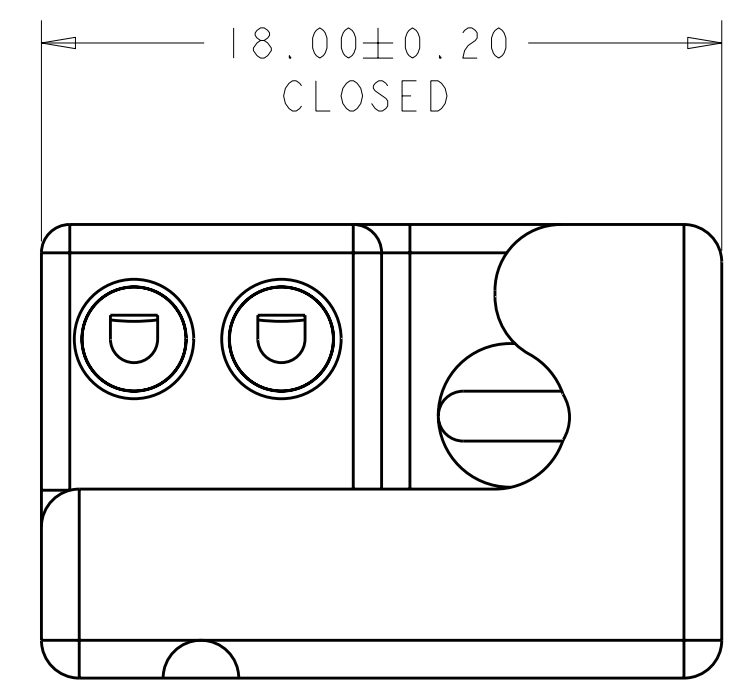
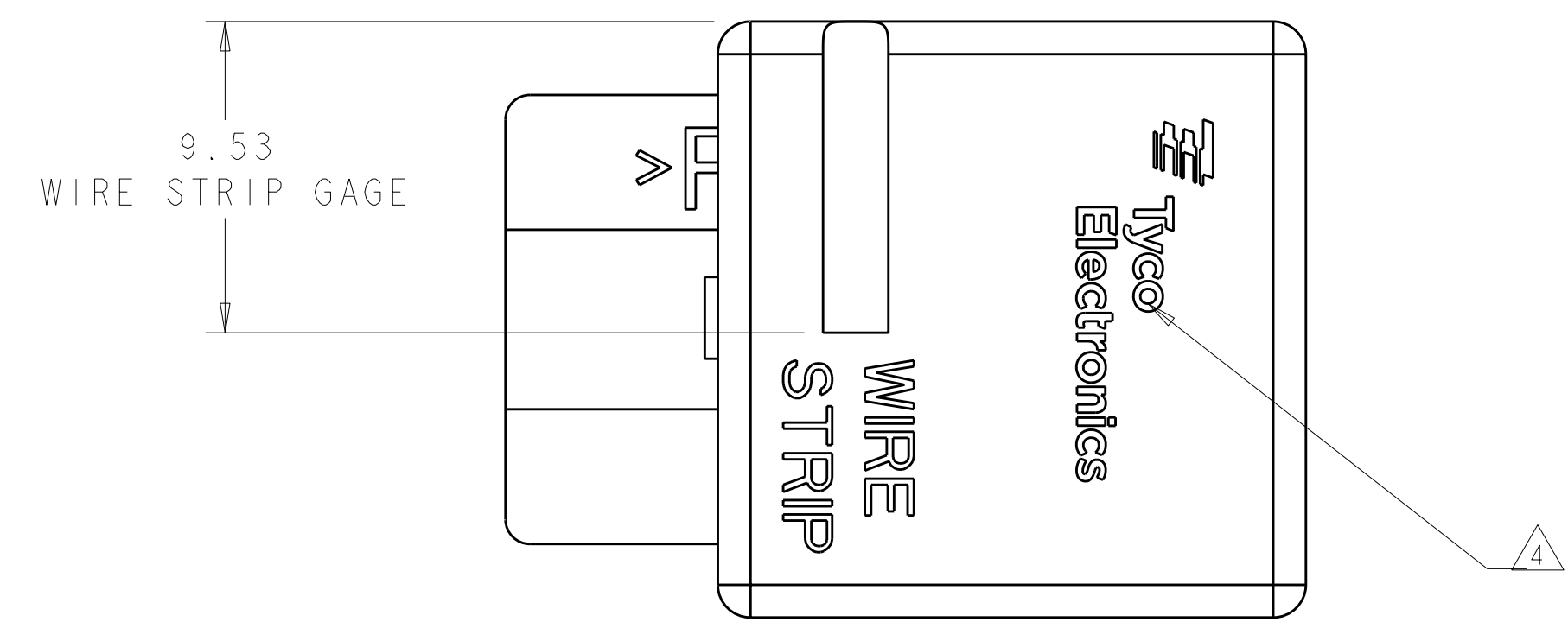
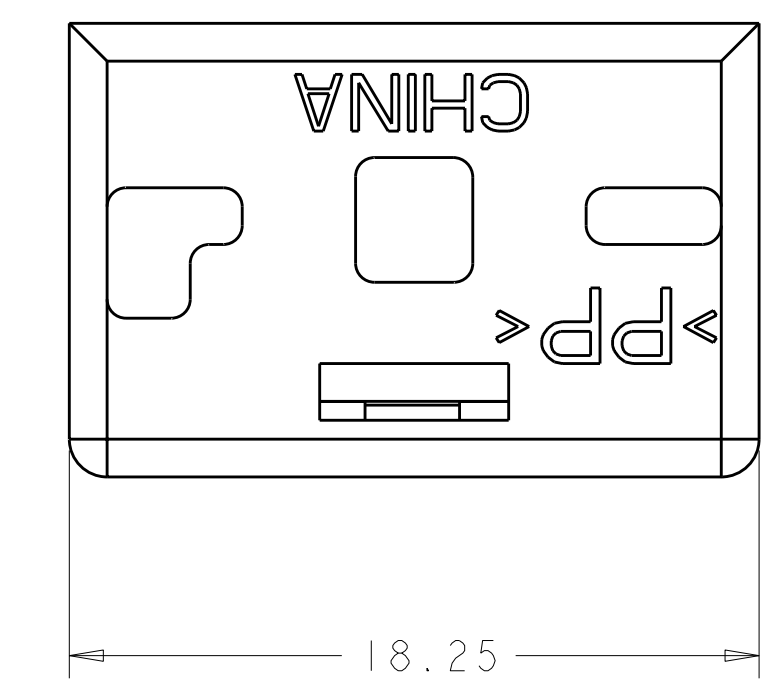
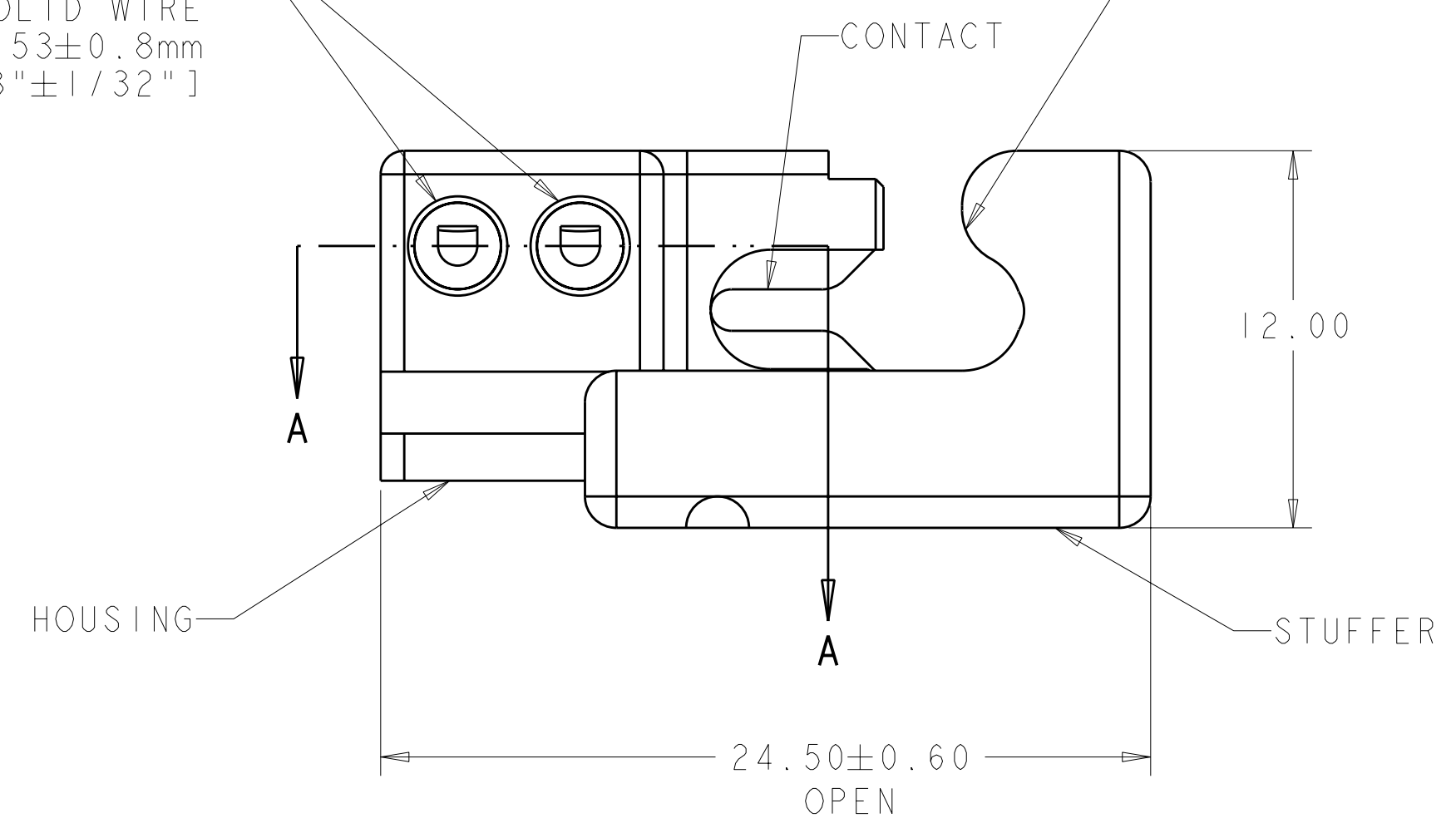
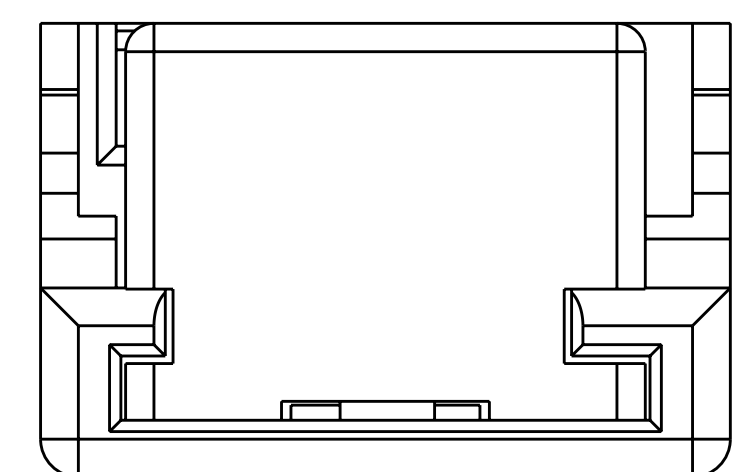
LOC		DIST		REVISIONS			
P	LTN	DESCRIPTION	DATE	DWN	APVD		
B1		REVISED PER ECO-11-005027	17MAR2011	RK	HMR		



SECTION A-A

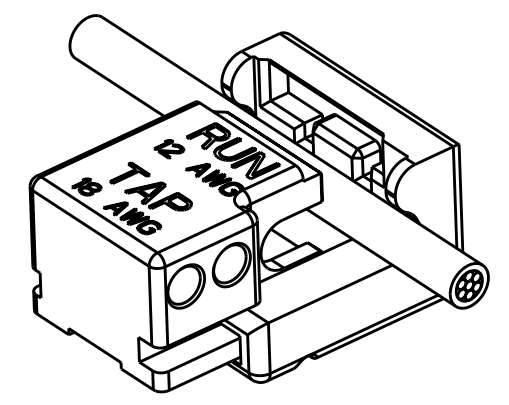
POKE-IN CAVITIES
ACCEPTS 18 AWG PRE-STRIPPED
SOLID WIRE
STRIP LENGTHS: 9.53±0.8mm
[3/8"±1/32"]

IDC AREA
1811027-1 ACCEPTS 12 AWG SOLID OR STRANDED (19 STRANDS MAX), THHN WIRE
1811027-2 ACCEPTS 18 AWG SOLID TFN/TEWN WIRE
CONTINUOUS (FEEDTHRU) WIRE

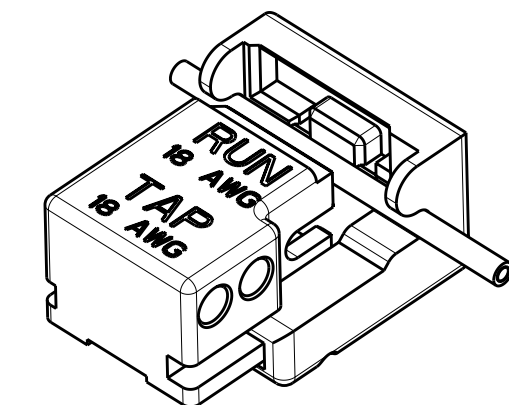


TERMINATED DETAIL

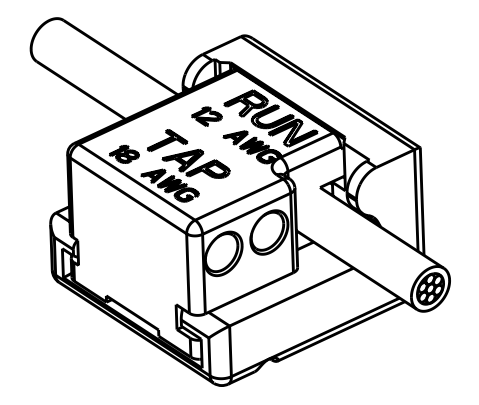
- △ MATERIAL:
HOUSING: THERMOPLASTIC, COLOR: SEE TABLE
STUFFER: THERMOPLASTIC, COLOR : SEE TABLE
CONTACT: COPPER ALLOY, 0.50 THICK
- △ FINISH:
CONTACT: TIN PLATE
- 3. PRODUCT SPECIFICATION: 108-2219
APPLICATION SPECIFICATION: 114-13151
- △ THE LOGO MAY BE JUST "TYCO" UNTIL COMPONENTS ARE CONVERTED.



SCALE 2:1

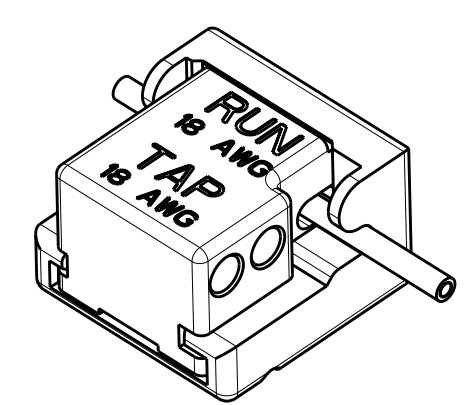


SCALE 2:1



SCALE 2:1

1811027-1



SCALE 2:1

1811027-2

BLUE	18 AWG	1811027-2
BROWN	12 AWG	1811027-1
CONNECTOR COLOR	FEED THRU WIRE SIZE	PART NUMBER

THIS DRAWING IS A CONTROLLED DOCUMENT.		DWN: D. FABIAN 28-Oct-04	TE Connectivity	
DIMENSIONS: mm		CHK: J. ALLISON 16-Nov-07	NAME: ASSEMBLY, WIRE SPLICE IDC / POKE-IN	
TOLERANCES UNLESS OTHERWISE SPECIFIED:		APVD: J. ALLISON 16-Nov-07	PRODUCT SPEC: 108-2219	
0 PLC ±		APVD: J. ALLISON 16-Nov-07	APPLICATION SPEC: 114-13151	
1 PLC ±0.13		WEIGHT: -	SIZE: A100779C=1811027	
2 PLC ±0.013		CUSTOMER DRAWING	SCALE: 5:1 SHEET 1 OF 1 REV: B1	
3 PLC ±				
4 PLC ±				
ANGLES ±#1				
MATERIAL				
FINISH				