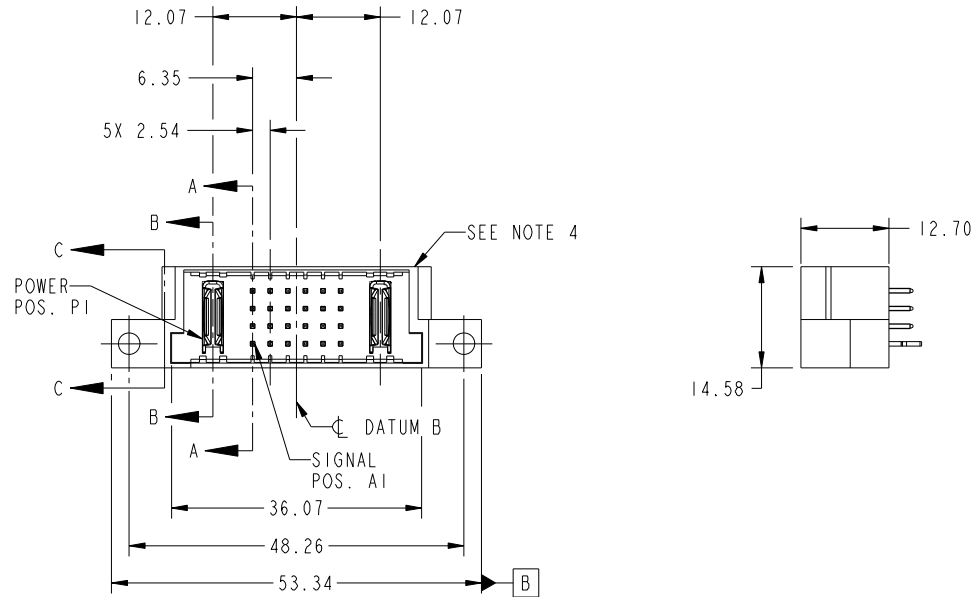


Tous droits strictement réservés. Reproduction ou communication a des tiers interdite sous quelque forme que ce soit sans autorisation écrite du propriétaire. Propriété de c FCI. Droits de reproduction FCI.



All rights strictly reserved. Reproduction or issue to third parties in any form whatever is not permitted without written authority from the proprietor. Property of FCI. Copyright FCI.

| | | | | | | | | | | | | | | | | | | | | | |
|------------------------------------|--------------------------|----|-----|---|---|---|---|---|--------|----|---|---|---|---|-----|---|----|---|---|---|----|
| PRODUCT NO. 51963-043 NOTE ③ | ROWS D C B A | E1 | PWR | | | | | | SIGNAL | | | | | | PWR | | | | | | E2 |
| | | | P1 | 1 | 2 | 3 | 4 | 5 | 6 | P2 | 1 | 2 | 3 | 4 | 5 | 6 | P2 | 1 | 2 | 3 | |



| CODE | DIM "M" MATING LENGTH | CONTACT TYPE |
|------|-----------------------|--------------|
| E | [6.86] | SIGNAL |
| PA | [N/A] | POWER |
| HA | [N/A] | HOLD-DOWN |

| | | | | | | | | | | | |
|-------------|-----------|----------------|-----------|------------|-----------------------|---------------------------------------|----------------|----------|--------------------------------------|--------------|------|
| mat'l code | | | | SEE NOTE 2 | | tolerances unless otherwise specified | | CUSTOMER | | FCI | |
| ltr | ecn no. | dr | date | linear | 0.X ±0.50 | projection | COPY | | www.fciconnect.com | | |
| A | DG09-0320 | JC | 21-Oct-09 | angles | 0.XX ±0.25 | | title | | IP + 24S + IP VERTICAL SOLDER HEADER | | |
| | | | | | 0.XXX ±0.10 | | product family | | PwrBlade | | code |
| | | | | dr | 0° ±2° | MIM | | size | dwg no | 213 | |
| | | | | enr | Jerome Chen 25-Sep-09 | scale | | A | 51963-043 | sheet 1 of 4 | |
| | | | | chr | Jerome Chen 25-Sep-09 | 1:1 | | | | | |
| | | | | appd | PM Zheng 25-Sep-09 | | | | | | |
| sheet index | | revision sheet | A 1 | A 2 | A 3 | A 4 | | | | | |

cage code 22526

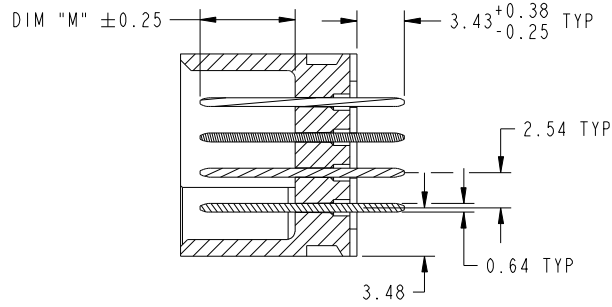
Pro/E

Tous droits strictement reserves. Reproduction ou communication a des tiers interdite sous quelque forme que ce soit sans autorisation écrite du propriétaire. Propriete de c FCI. Droits de reproduction FCI.

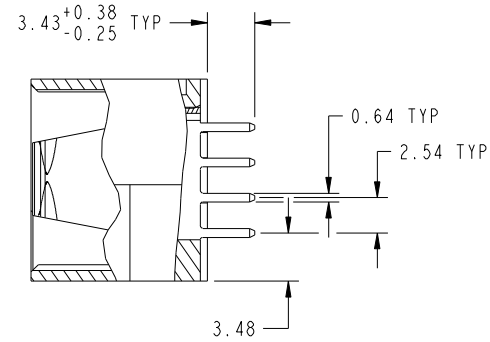
All rights strictly reserved. Reproduction or issue to third parties in any form whatever is not permitted without written authority from the proprietor. Property of FCI. Copyright FCI.



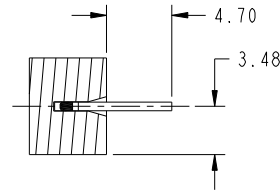
PRODUCT NUMBER
51963-043--
NOTE ③



SECTION A-A
SCALE 2:1



SECTION B-B
SCALE 2:1



SECTION C-C
SCALE 2:1

| | | | | | | | | | |
|-------------|---------|----------------|------|---------------------------------------|-----------------------|------------|--|---|--|
| mat'l code | | SEE NOTE 2 | | tolerances unless otherwise specified | | CUSTOMER | | www.fciconnect.com | |
| ltr | ecn no. | dr | date | linear | 0.X ±0.50 | COPY | | title | |
| A | | | | | 0.XX ±0.25 | projection | | IP + 24S + IP VERTICAL SOLDER HEADER | |
| | | | | angles | 0.XXX ±0.10 | | | product family | |
| | | | | dr | 0° ±2° | MIM | | PwrBlade | |
| | | | | enr | Jerome Chen 25-Sep-09 | scale | | code | |
| | | | | chr | Jerome Chen 25-Sep-09 | 1:1 | | 213 | |
| | | | | appd | PM Zheng 25-Sep-09 | | | sheet | |
| | | | | | Joseph Hsia 25-Sep-09 | | | 2 of 4 | |
| sheet index | | revision sheet | | | | | | cage code | |
| | | | | | | | | 22526 | |

Pro/E

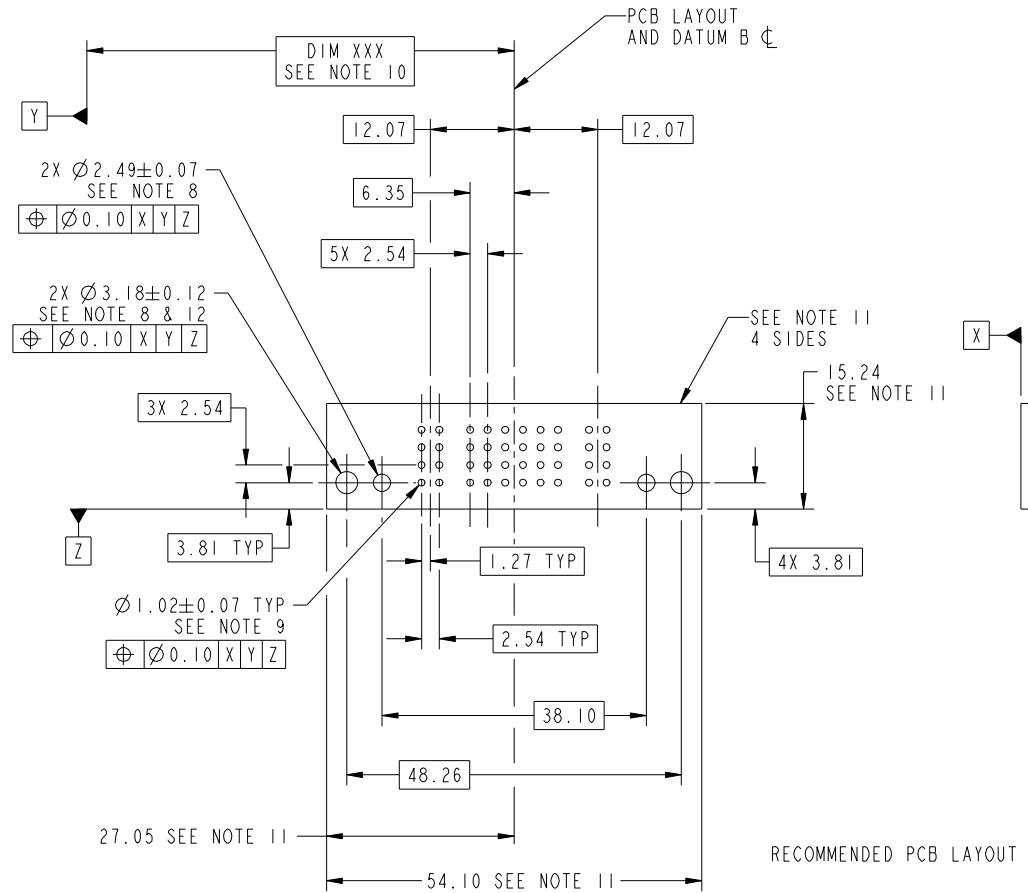
cage code 22526

Tous droits strictement reserves. Reproduction ou communication a des tiers interdite sous quelque forme que ce soit sans autorisation écrite du propriétaire. Propriete de c FCI. Droits de reproduction FCI.

All rights strictly reserved. Reproduction or issue to third parties in any form whatever is not permitted without written authority from the proprietor. Property of FCI. Copyright FCI.



PRODUCT NUMBER
51963-043--
NOTE ③



| | | | | | | | | | |
|-------------|---------|----------------|------|---------------------------------------|-----------------------|------------|--|---|--|
| mat'l code | | SEE NOTE 2 | | tolerances unless otherwise specified | | CUSTOMER | | www.fciconnect.com | |
| ltr | ecn no. | dr | date | linear | 0.X ±0.50 | COPY | | title | |
| A | | | | | 0.XX ±0.25 | projection | | IP + 24S + IP VERTICAL SOLDER HEADER | |
| | | | | angles | 0.XXX ±0.10 | | | product family | |
| | | | | dr | Jerome Chen 25-Sep-09 | MIM | | PwrBlade | |
| | | | | enrg | Jerome Chen 25-Sep-09 | | | code | |
| | | | | chr | PM Zheng 25-Sep-09 | scale | | 213 | |
| | | | | appd | Joseph Hsia 25-Sep-09 | 1:1 | | sheet | |
| sheet index | | revision sheet | | | | | | 3 of 4 | |

cage code 22526

Pro/E

Tous droits strictement reserves. Reproduction ou communication a des tiers interdite sous quelque forme que ce soit sans autorisation écrite du propriétaire. Propriete de c FCI. Droits de reproduction FCI.



All rights strictly reserved. Reproduction or issue to third parties in any form whatever is not permitted without written authority from the proprietor. Property of FCI. Copyright FCI.

| |
|----------------|
| PRODUCT NUMBER |
| 51963-043 |
| NOTE (3) |

NOTES:

1. DIMENSIONS AND TOLERANCES ARE IN ACCORDANCE WITH ASME Y14.5M, 1994 UNLESS OTHERWISE SPECIFIED.

CONNECTOR NOTES:

- (2) HOUSING MATERIAL: UL 94 V-0 GLASS FILLED HIGH-TEMP THERMOPLASTIC
- POWER CONTACT MATERIAL: COPPER ALLOY
- SIGNAL PIN MATERIAL: COPPER ALLOY
- 3. SEE ITEM 1 & 2 IN PRINT 10064183 FOR PLATING SPEC OF 51963-043 AND 51963-043LF RESPECTIVELY
- 4. MANUFACTURER'S NAME, DATE CODE AND OPTIONAL P/N TO APPEAR ON THIS SURFACE. THE P/N CAN BE OMITTED IF THERE IS NOT ENOUGH SPACE ON THIS SURFACE.
- 5. PRODUCT SPECIFICATION GS-12-149. APPLICATION SPECIFICATION BUS-20-067.
- 6. PACKAGED IN TRAYS.

PCB NOTES:

- 7. ALL HOLE DIAMETERS ARE FINISHED HOLE SIZE.
- 8. MOUNTING HOLES, WHERE APPLICABLE, ARE UNPLATED.
- 9. $\varnothing 1.151 \pm 0.025$ DRILLED HOLES PLATED WITH 0.008 MIN SnPb OVER 0.03 TO 0.08 Cu PLATING TO ACHIEVE $\varnothing 1.02 \pm 0.07$ HOLE.
- 10. "DIM XXX" TO BE DETERMINED BY THE CUSTOMER.
- 11. CONNECTOR KEEP-OUT ZONE.
- 12. CUSTOMER SUPPLIES (2) #4-40 UNC SCREWS, HARDWARE TO MOUNT HEADER TO PC BOARD.

| | | | | | | | | | | | |
|-------------|----------------|------------|------|---------------------------------------|-------------|-----------|------|----------------|--|--------------------|--------|
| mat'l code | | SEE NOTE 2 | | tolerances unless otherwise specified | | CUSTOMER | | FCI | | www.fciconnect.com | |
| ltr | ecm no. | dr | date | linear | 0.X ±0.50 | COPY | | projection | title IP + 24S + IP VERTICAL SOLDER HEADER | | |
| A | | | | | 0.XX ±0.25 | MIM | | | | | |
| | | | | angles | 0.XXX ±0.10 | 1:1 | | | | | |
| | | | | | 0° +2° | scale | | product family | | PwrBlade | code |
| | | | | dr | Jerome Chen | 25-Sep-09 | size | | dwg no | | 213 |
| | | | | enrg | Jerome Chen | 25-Sep-09 | A | | 51963-043 | | sheet |
| | | | | chr | PM Zheng | 25-Sep-09 | | | | | 4 of 4 |
| | | | | appd | Joseph Hsia | 25-Sep-09 | | | | | |
| sheet index | revision sheet | | | | | | | | | | |

cage code 22526

Pro/E