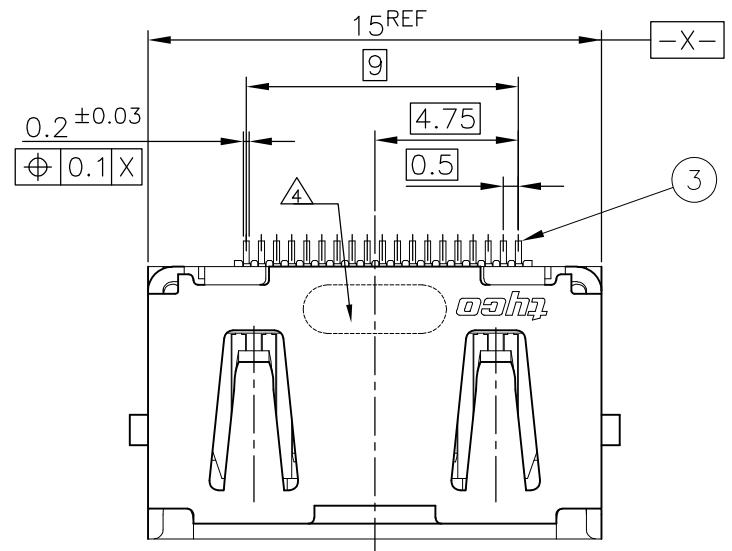


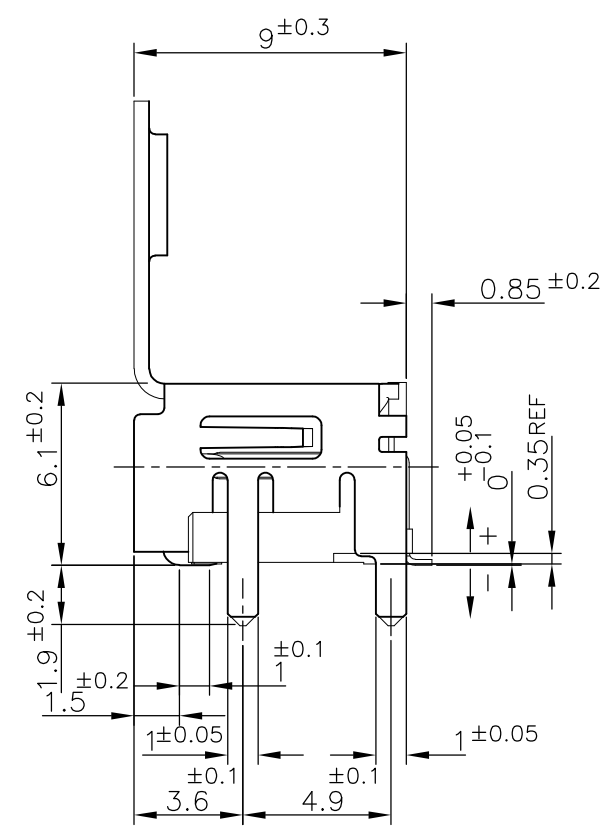
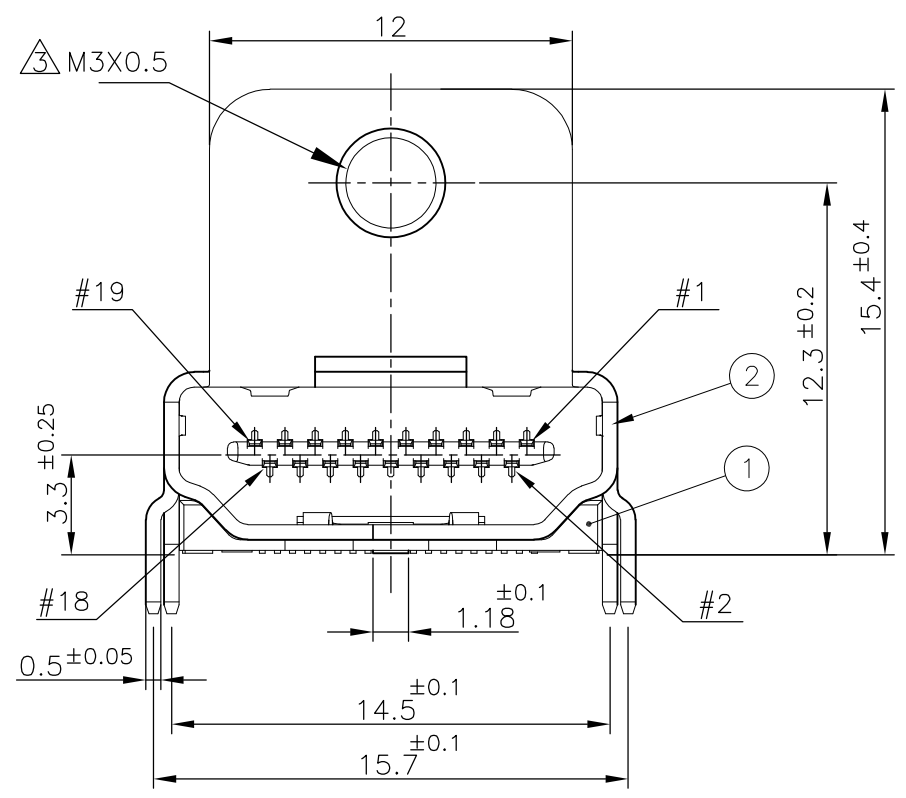
THIS DRAWING IS UNPUBLISHED. RELEASED FOR PUBLICATION
 © COPYRIGHT 2005 BY TYCO ELECTRONICS CORPORATION. ALL RIGHTS RESERVED.

LOC	DIST	REVISIONS		
ES	00	P	LTR	DESCRIPTION
				DATE
				DWN
				APVD
		16	ADD MATERIAL IN TABLE	27NOV2009
				A.H
				S.Y

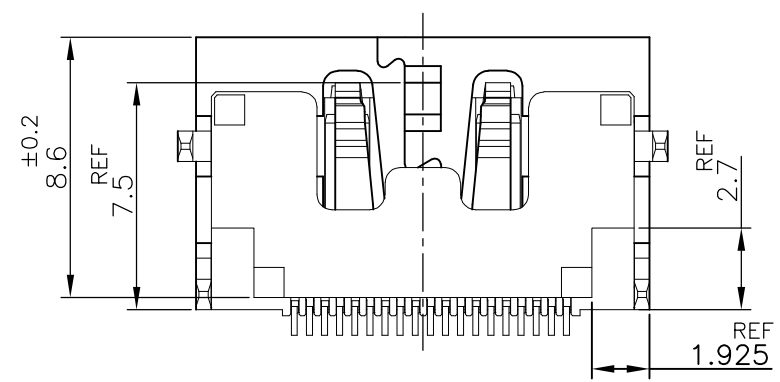


1932382-1, 1932382-2,
 1932382-3, 1932382-4; AS SHOWN

THIS PRINT IS
PRELIMINARY
 UNQUALIFIED PRODUCT
 CONTACT PRODUCT ENGINEERING
 BEFORE USING THIS PRINT



BRASS	CONTACT	3
BRASS	SHELL	2
GLASS FILLED LCP UL94V-0, BLACK COLOR	HOUSING	1
MATERIAL	DESCRIPTION	ITEM



THIS DRAWING IS A CONTROLLED DOCUMENT.

DWN	A.HU	18MAY2009
CHK	M.LI	18MAY2009
APVD	S.YAO	18MAY2009
NAME	S.YAO	
PRODUCT SPEC	製品規格	
APPLICATION SPEC	取付適用規格	
WEIGHT	A3 00779	
SCALE	4:1	SHEET 1 OF 4
RESTRICTED TO	—	

DRAWING NO: G-1932382

CUSTOMER DRAWING

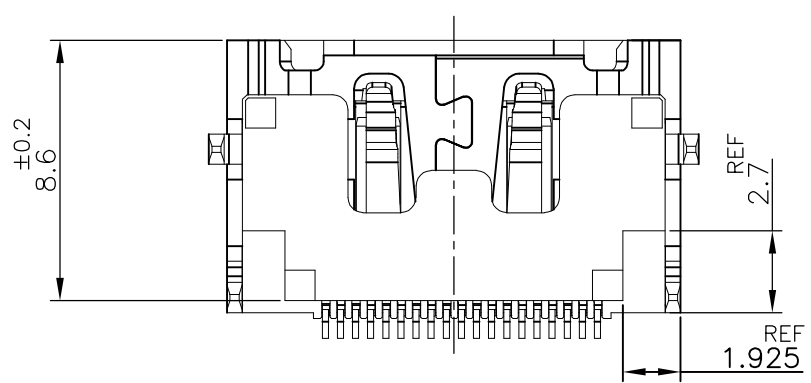
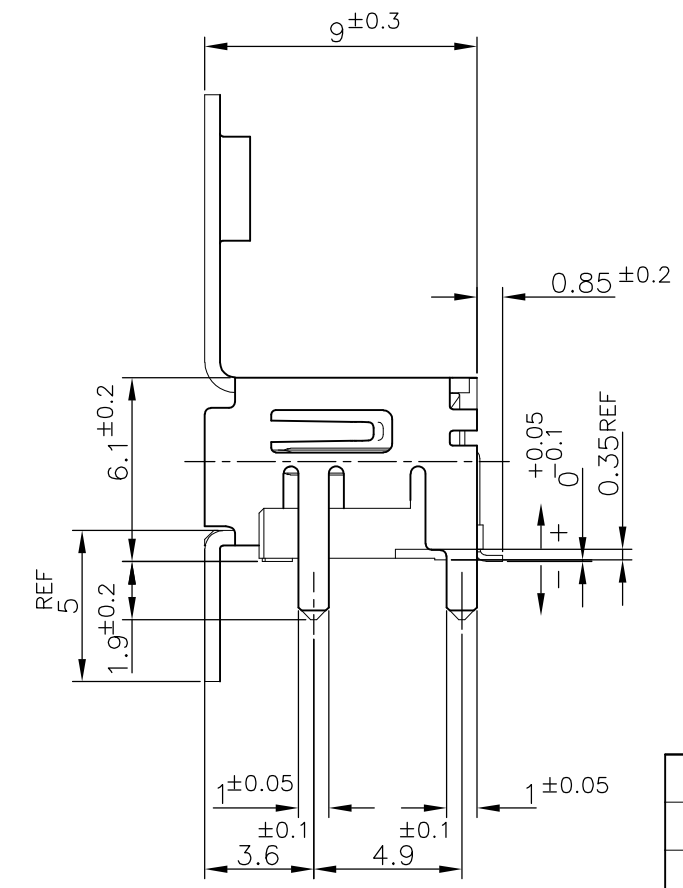
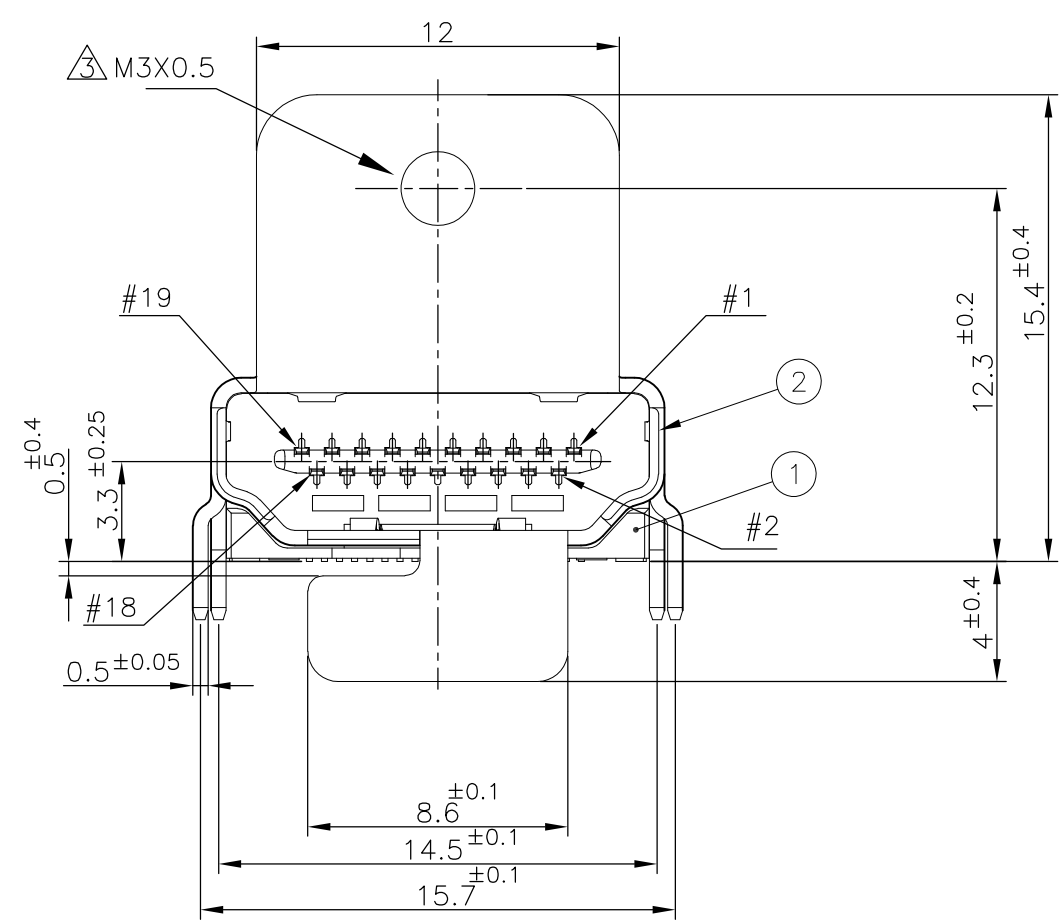
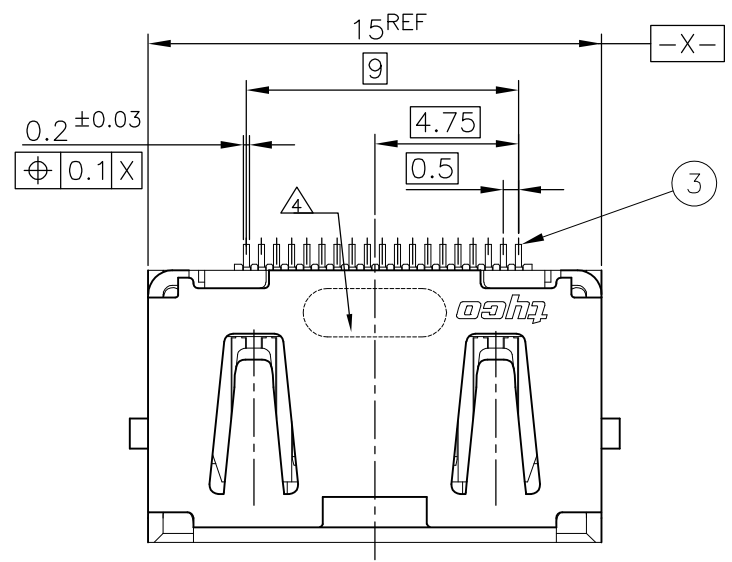
SCALE 4:1 SHEET 1 OF 4 REV 16

THIS DRAWING IS UNPUBLISHED. RELEASED FOR PUBLICATION
 © COPYRIGHT 2005 BY TYCO ELECTRONICS CORPORATION. ALL RIGHTS RESERVED.

LOC	DIST	REVISIONS					
ES	00	P	LTR	DESCRIPTION	DATE	DWN	APVD
		-		SEE SHEET1	-	-	-

1-1932382-1, 1-1932382-2,
 1-1932382-3, 1-1932382-4; AS SHOWN

THIS PRINT IS
PRELIMINARY
 UNQUALIFIED PRODUCT
 CONTACT PRODUCT ENGINEERING
 BEFORE USING THIS PRINT



BRASS	CONTACT	3
BRASS	SHELL	2
GLASS FILLED LCP UL94V-0, BLACK COLOR	HOUSING	1
MATERIAL	DESCRIPTION	ITEM

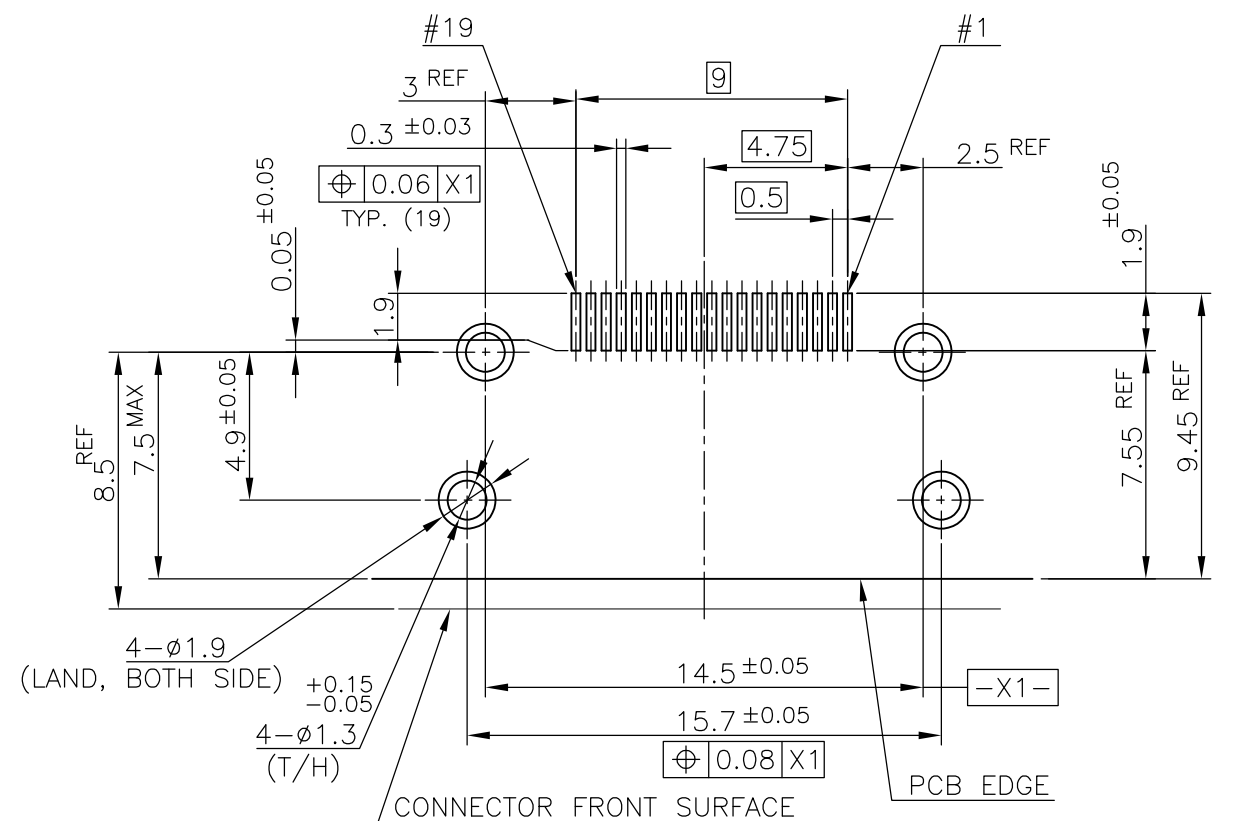
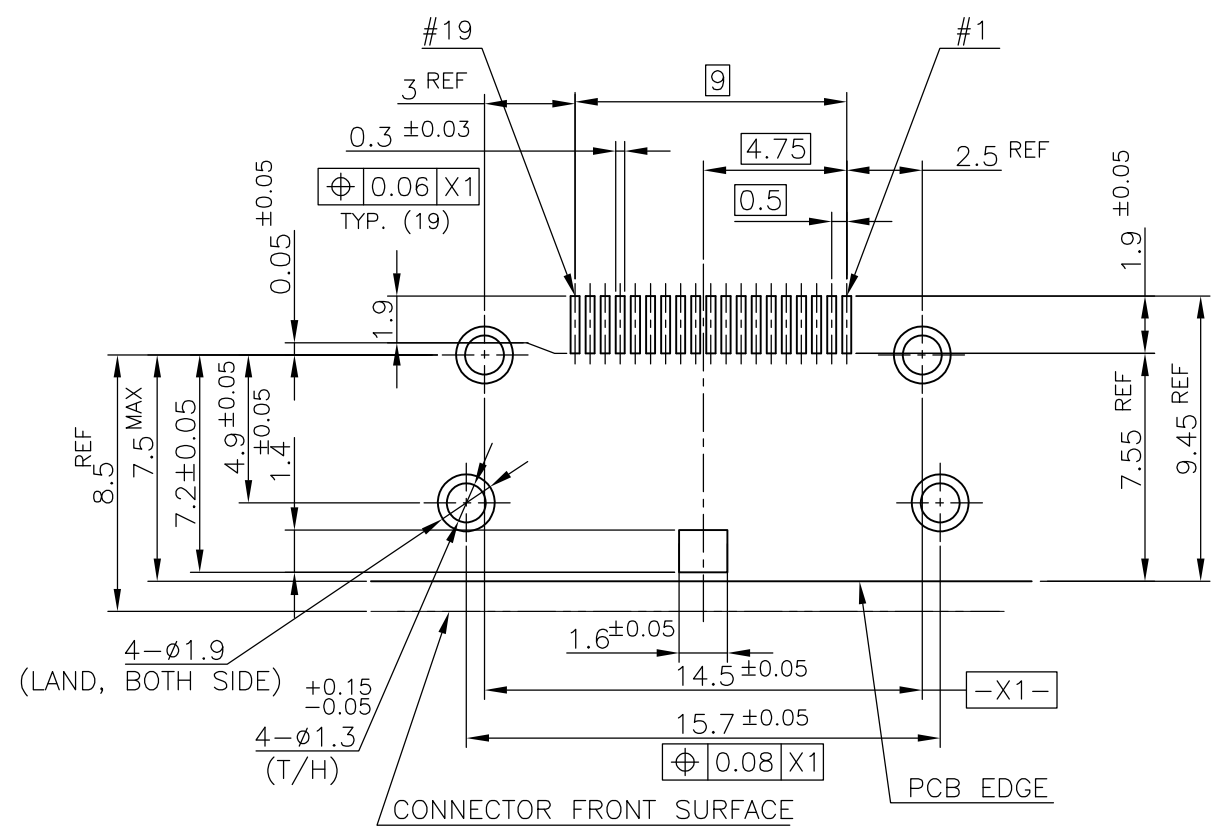
THIS DRAWING IS A CONTROLLED DOCUMENT.		DWN	A.HU	18MAY2009	Tyco Electronics Corporation Shanghai, PRC, 200233		
DIMENSIONS: 單位: 耗 mm		CHK	M.LI	18MAY2009	NAME 名稱		
TOLERANCES UNLESS OTHERWISE SPECIFIED: 一般公差		APVD	S.YAO	18MAY2009	HDMI 19 POS RECEPTACLE ASSY SMT SHORT TYPE		
0 PLC ±		PRODUCT SPEC 製品規格		SIZE			
1 PLC ±		APPLICATION SPEC 取付適用規格		CAGE CODE	DRAWING NO 番号	RESTRICTED TO	
2 PLC ±		WEIGHT		A3	00779	G-1932382	-
3 PLC ±		CUSTOMER DRAWING		SCALE 尺度		SHEET	REV
4 PLC ±				4:1		2 OF 4	16
ANGLES ±							
FINISH 仕上							
MATERIAL 材料							

THIS DRAWING IS UNPUBLISHED. RELEASED FOR PUBLICATION
 © COPYRIGHT 2005 BY TYCO ELECTRONICS CORPORATION. ALL RIGHTS RESERVED.

LOC	DIST	REVISIONS					
ES	00	P	LTR	DESCRIPTION	DATE	DWN	APVD
				SEE SHEET 1			

1932382-1, 1932382-2
 1932382-3, 1932382-4; AS SHOWN

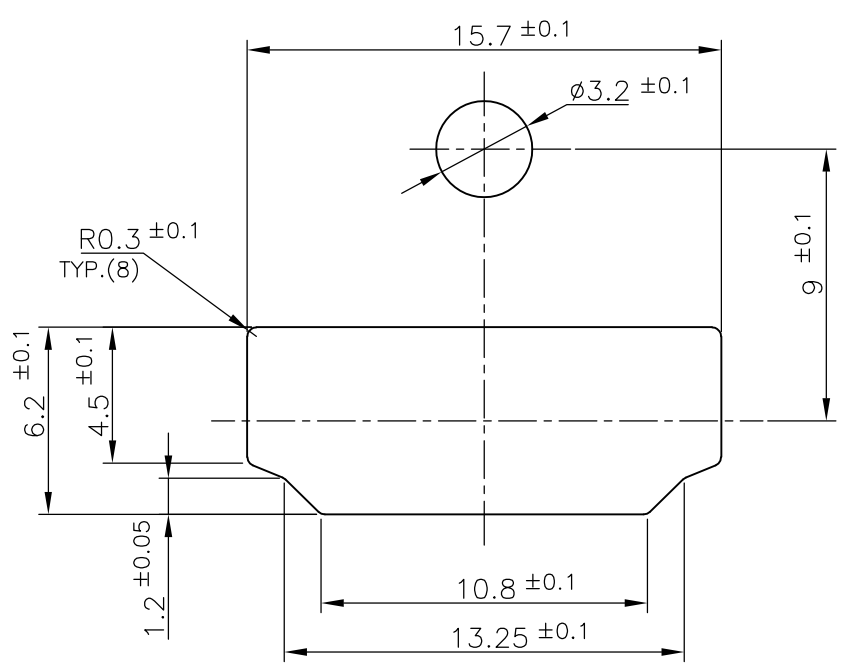
1-1932382-1, 1-1932382-2
 1-1932382-3, 1-1932382-4; AS SHOWN



P.C.B LAYOUT (REFERENCE)
 SHOWN AS CONNECTOR MOUNTING SIDE
 TOLERANCE: NON-CUMULATIVE

P.C.B LAYOUT (REFERENCE)
 SHOWN AS CONNECTOR MOUNTING SIDE
 TOLERANCE: NON-CUMULATIVE

THIS PRINT IS
PRELIMINARY
 UNQUALIFIED PRODUCT
 CONTACT PRODUCT ENGINEERING
 BEFORE USING THIS PRINT



PANEL CUT OUT DIMENSION (REFERENCE)

- △ CONTACT COPLANALITY IS 0.1 MAX.
- △ FINISH
 CONTACT: T1 um Au PL. ON CONTACT AREA
 T2 um TIN/Au PL. ON TERMINAL AREA
 Ni UNDER PL. ALL OVER
 SHELL: Sn PL. (MATTE) ALL OVER
 Ni UNDER PL. ALL OVER
- ③ M3 TAPPING + BVTP RECOMMENDED TORQUE: 68.6N (7Kgf) MAX.
- ④ DATE CODE: 5DIGIT NUMBER.

COUPLE	Au 0.05~0.13um	0.1umMIN	1-1932382-4
COUPLE	MATTE TIN	0.1umMIN	1-1932382-3
COUPLE	MATTE TIN	0.3umMIN	1-1932382-2
COUPLE	Au 0.05~0.13um	0.3umMIN	1-1932382-1
SINGLE	Au 0.05~0.13um	0.1umMIN	1932382-4
SINGLE	MATTE TIN	0.1umMIN	1932382-3
SINGLE	MATTE TIN	0.3umMIN	1932382-2
SINGLE	Au 0.05~0.13um	0.3umMIN	1932382-1
FLANGE TYPE	T2 △	T1 △	PART NUMBER

THIS DRAWING IS A CONTROLLED DOCUMENT.		DWN	18MAY2009	Tyco Electronics Corporation Shanghai, PRC, 200233
DIMENSIONS: 單位: 耗 mm		CHK	18MAY2009	
TOLERANCES UNLESS OTHERWISE SPECIFIED: 一般公差		APVD	18MAY2009	
0 PLC ± 1 PLC ± 2 PLC ± 3 PLC ± 4 PLC ± ANGLES ±		NAME 名稱 HDMI 19 POS RECEPTACLE ASSY SMT SHORT TYPE		
MATERIAL 材料		PRODUCT SPEC 製品規格 APPLICATION SPEC 取付適用規格 WEIGHT		SIZE A3
FINISH 仕上		CAGE CODE 00779		DRAWING NO 番号 1932382
CUSTOMER DRAWING		SCALE 尺度 4:1		RESTRICTED TO SHEET 3 OF 4 REV 16

