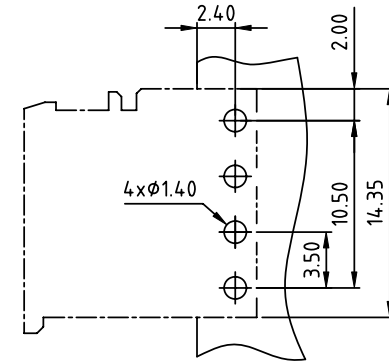
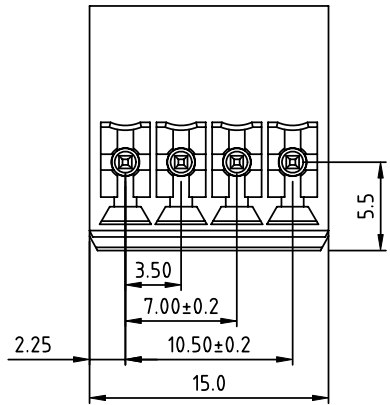
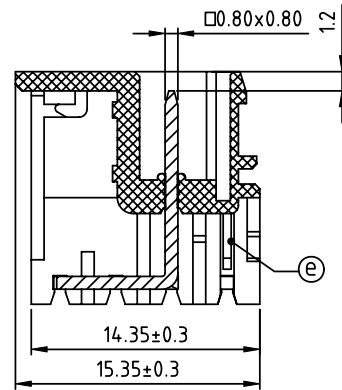
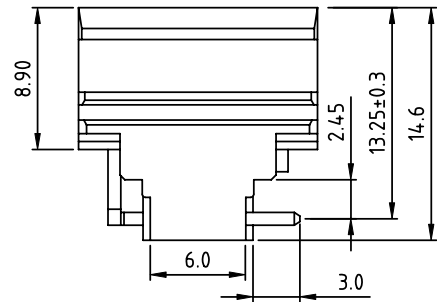


PRODUCT NUMBER	PITCH
EU0410x000J0G	3.50 mm



RECOMMENDED P.C.B LAYOUT
TOP VIEW



Section P-P

Material:

- Item (a) Pin-01: Copper, Tin plated
- Item (b) Pin-02: Copper, Tin plated
- Item (c) Pin-03: Copper, Tin plated
- Item (d) Pin-04: Copper, Tin plated
- Item (e) Terminal(housing): Thermoplastic (UL94V-0)

Electrical:

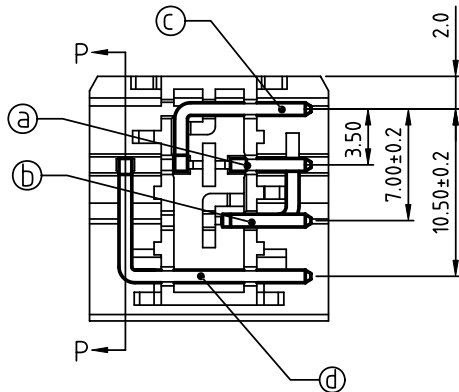
- Voltage rating: cULus 300V
- Current rating: 10A
- Withstanding Voltage: 1.6 KV
- Operating temperature: -40°C to +115°C
- Soldering temperature: 260°C±5°C/5 Sec
- Safety Approval:

PART NO.: EU 04 10 x 0 00J0 G

Color

- 0 Black (RAL9005)
- 2 Red (RAL3001/D)
- 3 Orange (RAL2011/P)
- 4 Yellow (RAL1018/A)
- 5 Green (RAL6018/T)
- 6 Blue (RAL5015/A)
- 8 Grey (RAL7035/D)
- 9 White (RAL1102)
- C Green (RAL6018/U)

RoHS compliant
(lead<4%
in copper Alloy)



mat'l. code		surface ASME Y14.5	tolerance ASME Y14.5	projection	product family TERMINAL BLOCK
ltr	ecn no	dr	date	tolerances unless otherwise specified	title
				angles X±1°	TERMINAL BLOCK PLUGGABLE SOCKET, RIGHT TYPE
				scale	dwg no
				dr EVIN ZHONG 050914	sheet 1 of 1
				enr EVIN ZHONG 050914	size A4
				chr HANKE FENG 050914	EU0410x000J0G
				appd SHI JUN 050914	type CUSTOMER Drawing
sheet index	revision sheet	A	1		