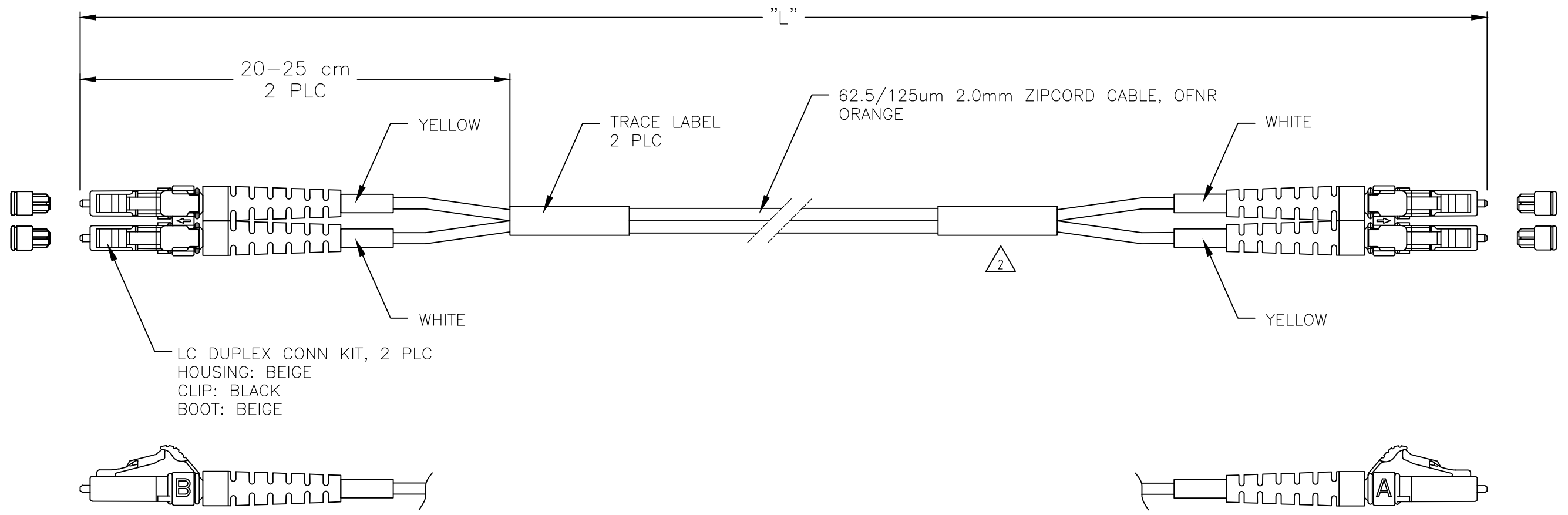


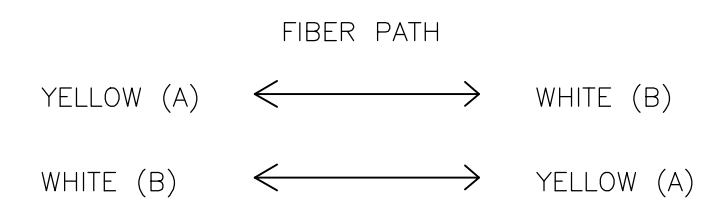
THIS DRAWING IS UNPUBLISHED. RELEASED FOR PUBLICATION
 © COPYRIGHT - By - ALL RIGHTS RESERVED.

LOC	DIST	REVISIONS					
HG	-	P	LTR	DESCRIPTION	DATE	DWN	APVD
		A		ECR-15-018476	23DEC15	SW	RZ



NOTES:

- 1 INSERTION LOSS ≤ 0.3 dB, MEASURED AT 1300 nm
- 2 SECOND TRACE LABEL WILL NOT BE PRESENT ON ANY CABLE ASSEMBLY THAT IS LESS THAN 1 METER IN LENGTH.



PART NUMBER	"L" (METER)	* THE TOLERANCES OF STANDARD LENGTH REFER TO CUSTOMER DRAWING 1206850
X-2064865-Y	XY,0	
2064865-3	3.0	

THIS DRAWING IS A CONTROLLED DOCUMENT.		DWN SIMON WU 11APR12	TE Connectivity															
DIMENSIONS: METERS		CHK PHILIP LIU 11APR12				NAME RICHARD ZHAO 11APR12												
TOLERANCES UNLESS OTHERWISE SPECIFIED:		APVD RICHARD ZHAO 11APR12	PRODUCT SPEC FOMM62.5 LEAD 2.0TZ LC/DPX - LC/DPX, OFNR															
<table border="1"> <tr><td>0 PLC</td><td>± -</td></tr> <tr><td>1 PLC</td><td>± -</td></tr> <tr><td>2 PLC</td><td>± -</td></tr> <tr><td>3 PLC</td><td>± -</td></tr> <tr><td>4 PLC</td><td>± -</td></tr> <tr><td>ANGLES</td><td>± -</td></tr> </table>		0 PLC	± -	1 PLC	± -	2 PLC	± -	3 PLC	± -	4 PLC	± -	ANGLES	± -	APPLICATION SPEC	SIZE	CAGE CODE	DRAWING NO	RESTRICTED TO
0 PLC	± -																	
1 PLC	± -																	
2 PLC	± -																	
3 PLC	± -																	
4 PLC	± -																	
ANGLES	± -																	
MATERIAL		WEIGHT	A3	00779	C-2064865	-												
FINISH		CUSTOMER DRAWING		SCALE	SHEET	REV												
				NTS	1 OF 1	A												