

## Electronic housing - EG 45-GP/ABS GY - 2764111

Please be informed that the data shown in this PDF Document is generated from our Online Catalog. Please find the complete data in the user's documentation. Our General Terms of Use for Downloads are valid (<http://phoenixcontact.com/download>)



Housing base, with snap foot and test opening with side cover

Illustration shows fully mounted versions of the electronic housing, in green



### Key commercial data

|                                      |           |
|--------------------------------------|-----------|
| Packing unit                         | 1 pc      |
| Weight per Piece (excluding packing) | 52.73 GRM |
| Custom tariff number                 | 85369010  |
| Country of origin                    | Germany   |

### Classifications

#### eCl@ss

|            |          |
|------------|----------|
| eCl@ss 4.0 | 27180401 |
| eCl@ss 4.1 | 27180401 |
| eCl@ss 5.0 | 27180506 |
| eCl@ss 5.1 | 27180506 |
| eCl@ss 6.0 | 27180802 |
| eCl@ss 7.0 | 27182702 |
| eCl@ss 8.0 | 27182702 |

#### ETIM

|          |          |
|----------|----------|
| ETIM 2.0 | EC001031 |
| ETIM 3.0 | EC001031 |
| ETIM 4.0 | EC001031 |
| ETIM 5.0 | EC001031 |

# Electronic housing - EG 45-GP/ABS GY - 2764111

## Classifications

### UNSPSC

|               |          |
|---------------|----------|
| UNSPSC 6.01   | 31261501 |
| UNSPSC 7.0901 | 31261501 |
| UNSPSC 11     | 31261501 |
| UNSPSC 12.01  | 31261501 |
| UNSPSC 13.2   | 31261501 |

## Approvals

### Approvals

---

#### Approvals

UL Recognized

---


Ex Approvals

---

Approvals submitted

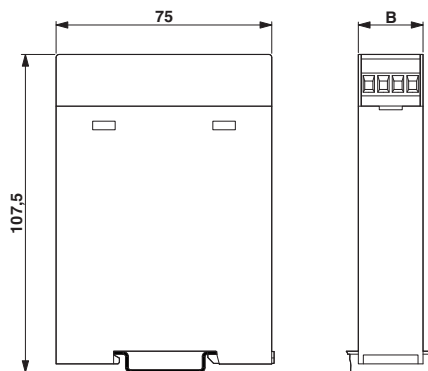
---

### Approval details

UL Recognized 

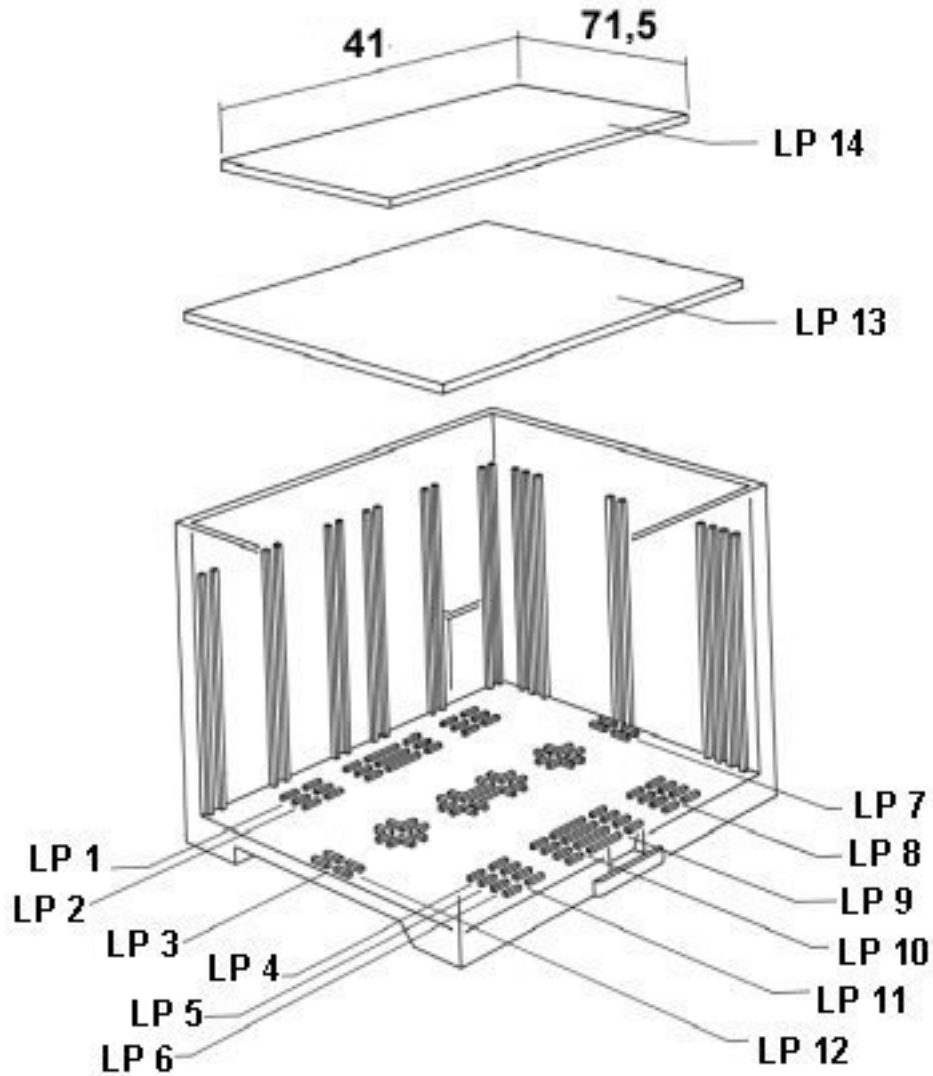
## Drawings

Dimensioned drawing



# Electronic housing - EG 45-GP/ABS GY - 2764111

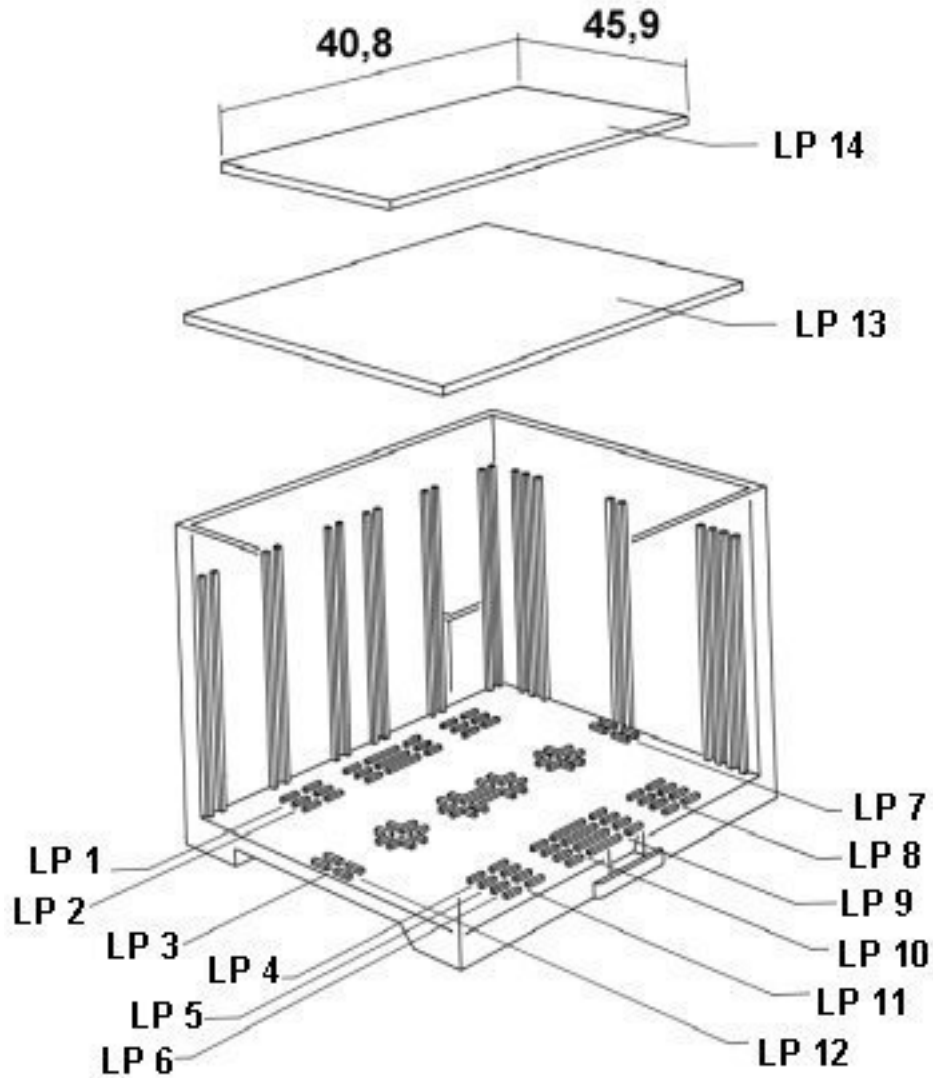
Explosion drawing



valid for PCB 13

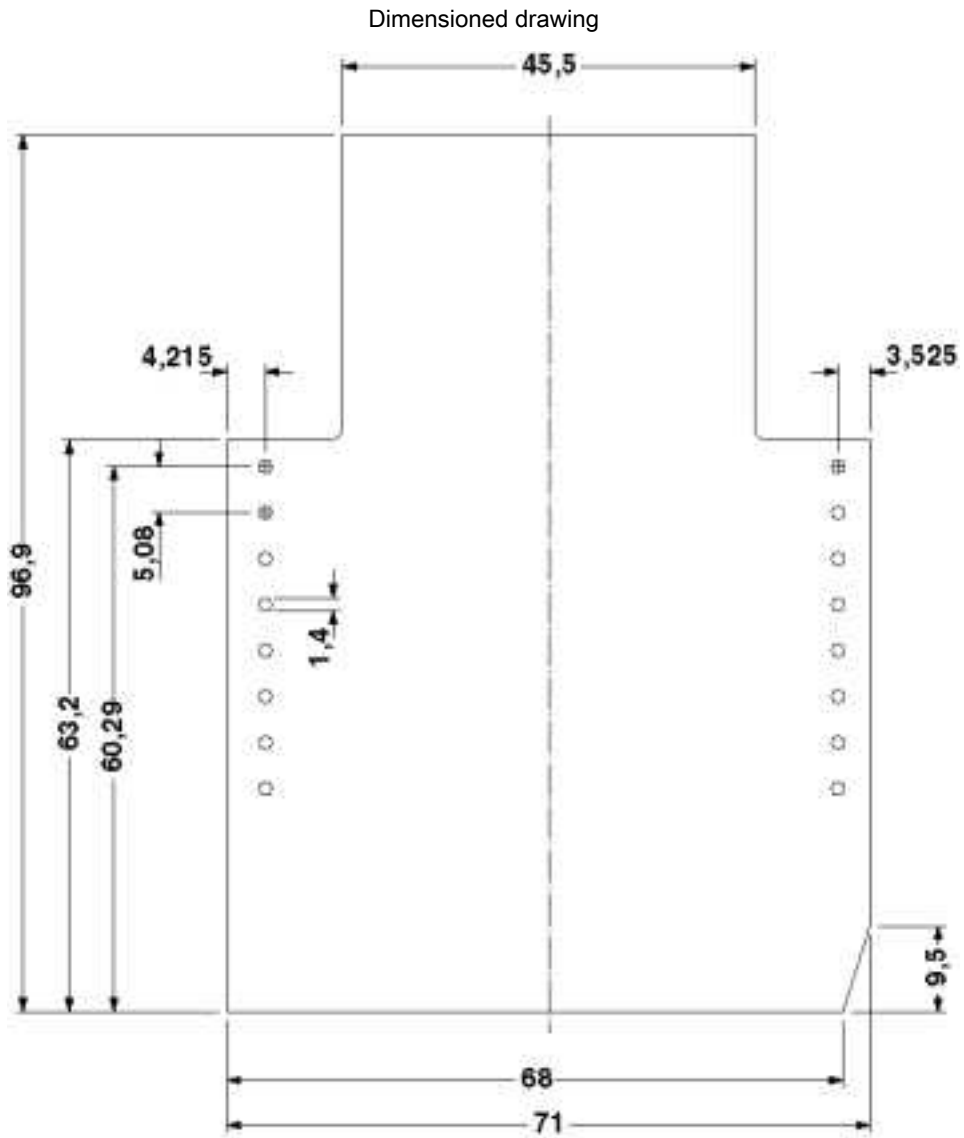
# Electronic housing - EG 45-GP/ABS GY - 2764111

Explosion drawing



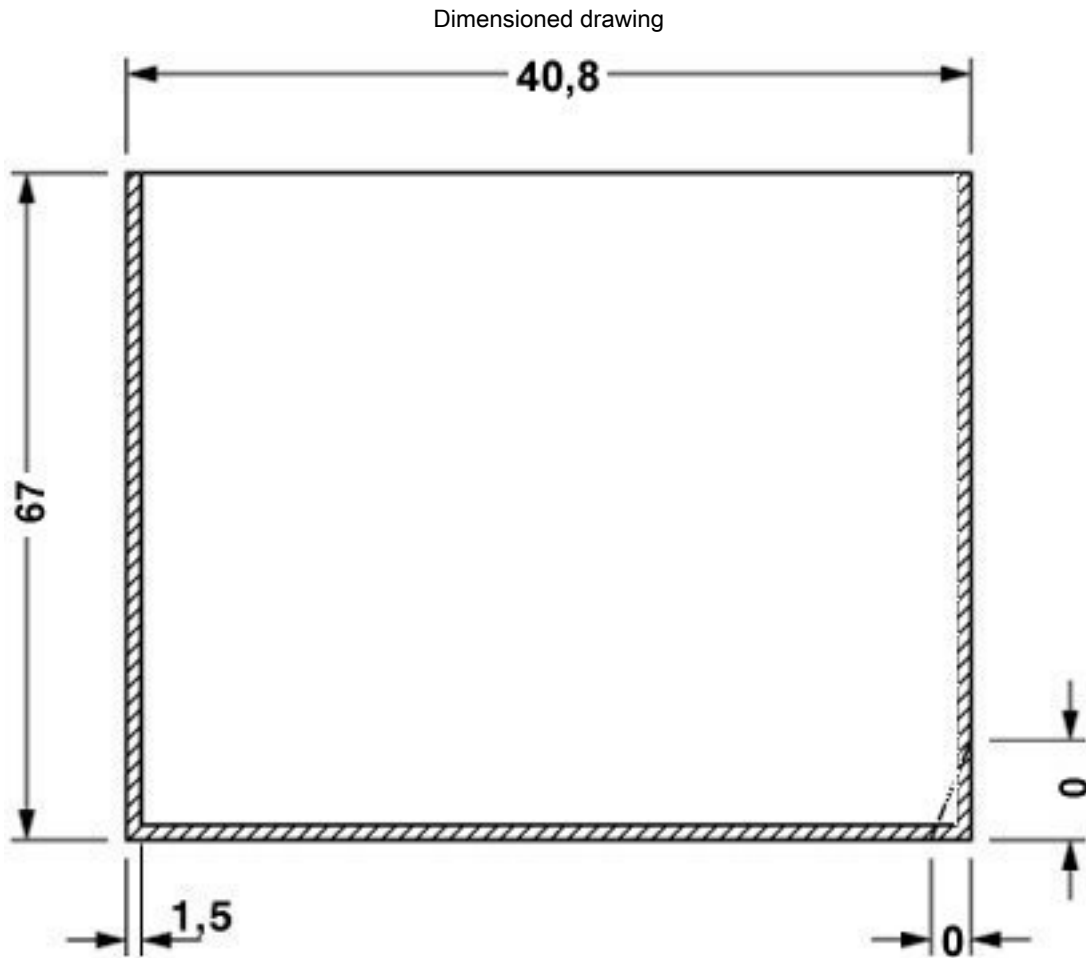
valid for PCB 14

# Electronic housing - EG 45-GP/ABS GY - 2764111



Component mounting side, if the double-level upper part is used

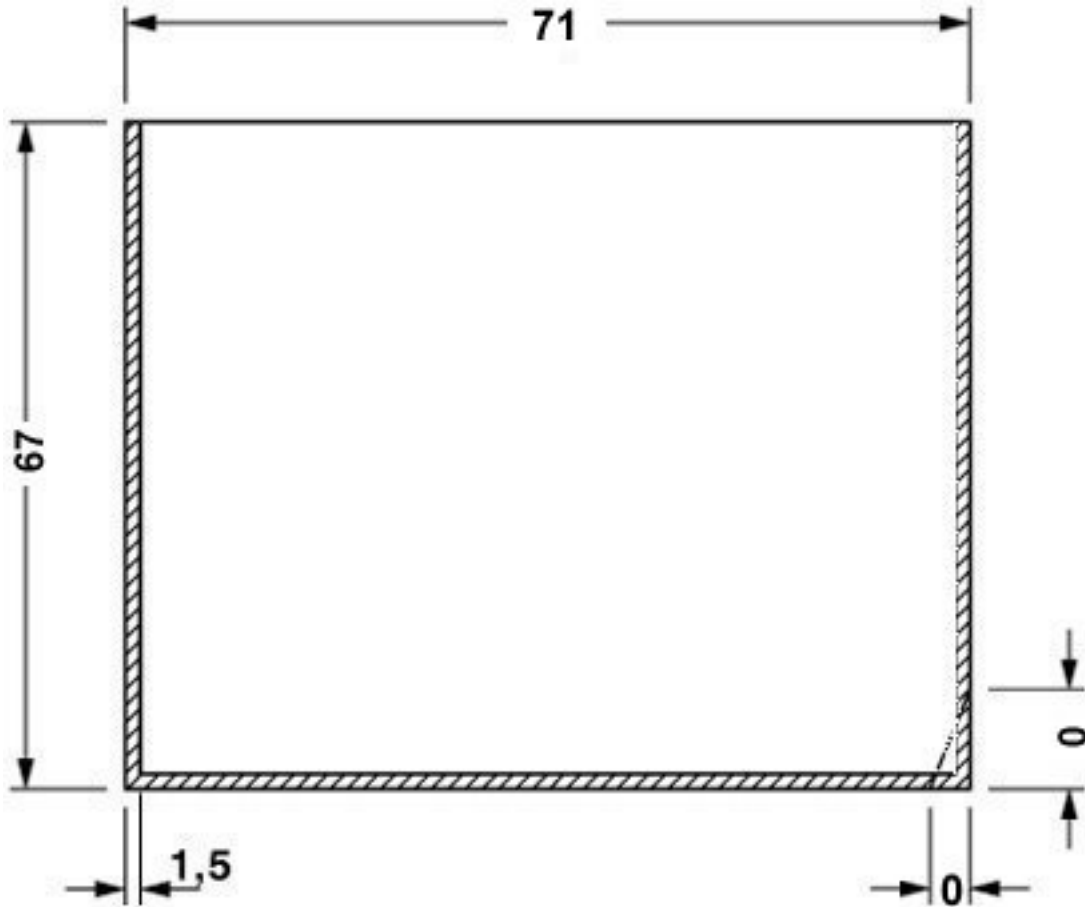
# Electronic housing - EG 45-GP/ABS GY - 2764111



valid for PCB 1; 3; 5 and 6, see explosion drawing

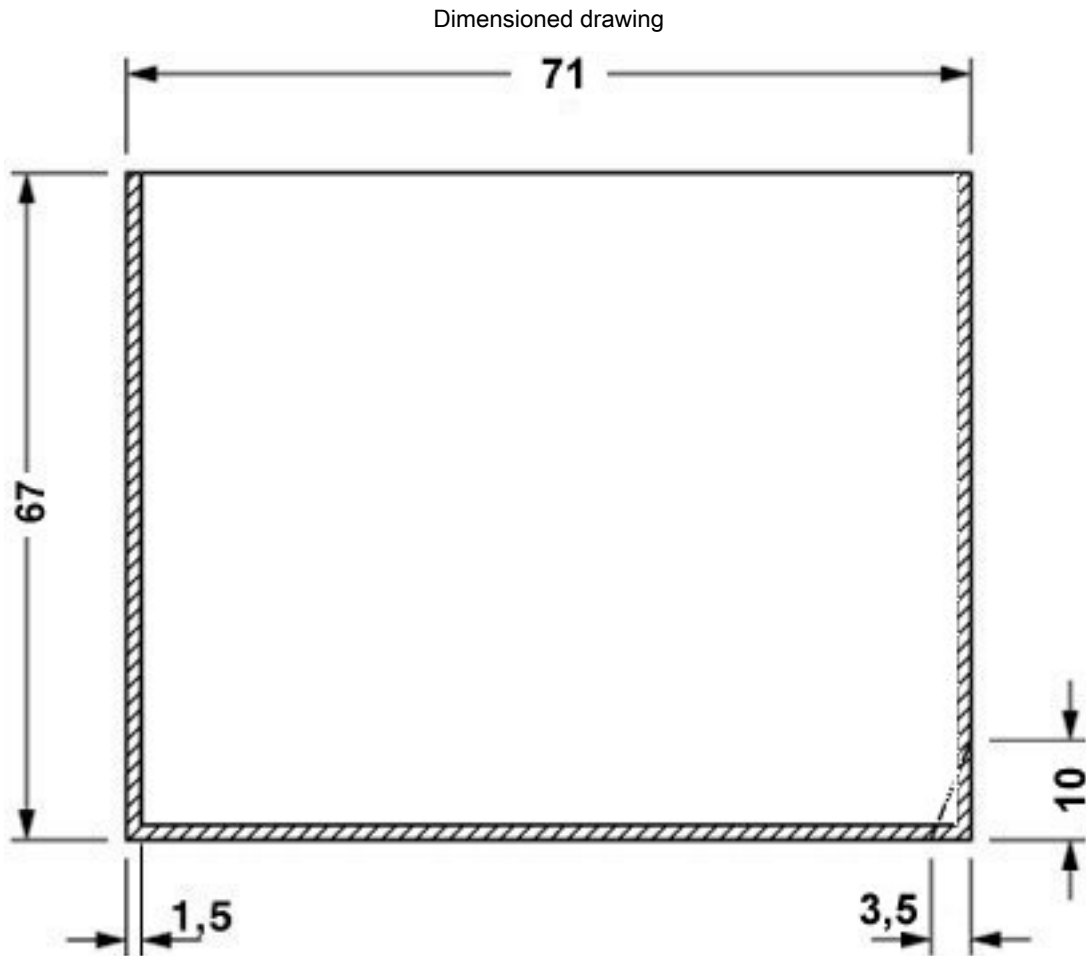
# Electronic housing - EG 45-GP/ABS GY - 2764111

Dimensioned drawing



valid for PCB 7 and 12, see explosion drawing

## Electronic housing - EG 45-GP/ABS GY - 2764111



valid for PCB 10, see explosion drawing