

BOURNS[®] TEL-NOTES

Mobile Broadband Power Supplies



LTE RRU POWER MODULE Current or Voltage Adjustment

Objective

4G/LTE RRU power modules often require precise current and/or voltage output adjustment. The purpose of this note is to introduce an efficient and low-cost solution for the adjustment of 4G/LTE RRU power modules.

A miniature SMD trimming potentiometer can be added to circuitry to adjust either the voltage output or precision current in 4G/LTE RRU power modules.

Solution

4 mm SMD Trimpot[®] Trimming Potentiometer: 3224W-1-102E*

*Additional part numbers included in Design Kit:

- 3224W-1-103E
- 3224W-1-503E
- 3224J-1-102E
- 3224J-1-103E
- 3224J-1-503E

Features & Benefits

- Low profile 4 mm SMD trimmer
- Sealed for board processing, consistent with Bourns guidelines
- Multiturn cermet element
- Wide range of resistance values
- Wiper pre-set at 50 % ± 10 % of actual total resistance for quick adjustment
- RoHS compliant**
- Halogen free***

**RoHS Directive 2002/95/EC Jan. 27, 2003 including annex and RoHS Recast 2011/65/EU June 8, 2011.

***Bourns follows the prevailing definition of "halogen free" in the industry. Bourns considers a product to be "halogen free" if (a) the Bromine (Br) content is 900 ppm or less; (b) the Chlorine (Cl) content is 900 ppm or less; and (c) the total Bromine (Br) and Chlorine (Cl) content is 1500 ppm or less. Specifications are subject to change without notice. The device characteristics and parameters in this Bourns Tel Note can and do vary in different applications and actual device performance may vary over time.

Product

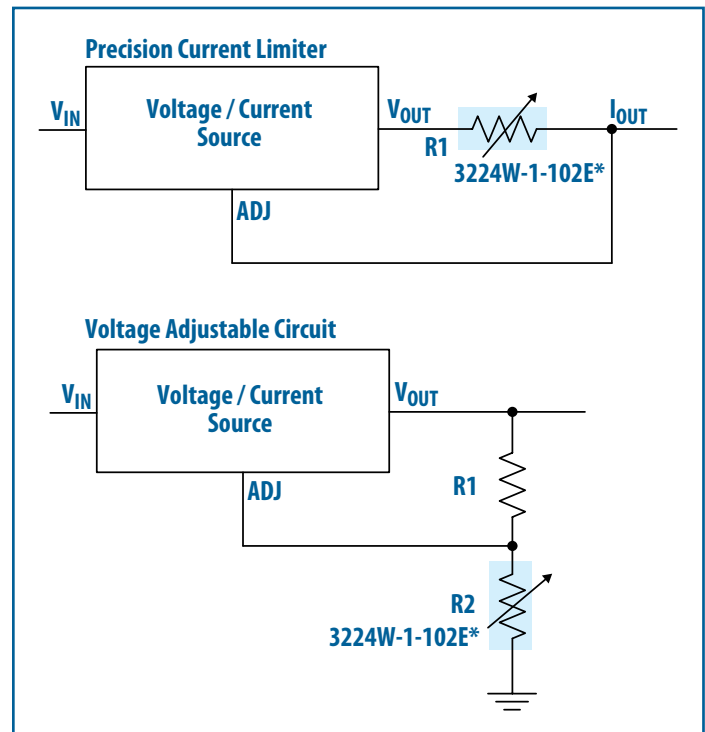


3224W-1-102E

Design Kit



H-852



The schematic shown here illustrates the application protection and does not constitute the complete circuit design. Customers should verify actual device performance in their specific applications.

BOURNS[®]

For more information, go to:

www.bourns.com

or email: protection@bourns.com

Americas: Tel +1-951 781-5500
Fax +1-951 781-5700

EMEA: Tel +36 88 520 390
Fax +36 88 520 211

Asia-Pacific: Tel +886-2 256 241 17
Fax +886-2 256 241 16

COPYRIGHT © 2014 • BOURNS, INC. • 12/14 • PSG • XX/K1450
"Bourns" and "Trimpot" are registered trademarks of Bourns, Inc. in the U.S. and other countries.