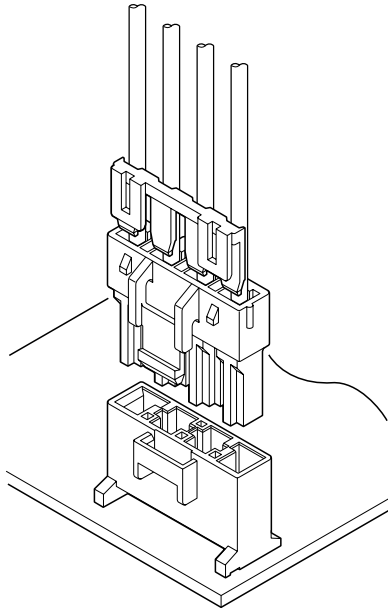


# VYH CONNECTOR

6.5mm pitch/Disconnectable Crimp style connectors



**This VYH connector is designed for wire-to-board 6.5mm pitch connector corresponding to large current. Secondary retainer, which prevents from insufficient insertion of contact and coming off contact, may use and large current circuit can be connected certainly and safely.**

- Corresponding to large current
- Misinsertion prevention
- Housing lance for contact retention
- Secondary retainer

## Specifications

- Current rating: 15A AC, DC (2 circuits/ AWG #14)
- Voltage rating: 300V AC, DC
- Temperature range: -25°C to +85°C  
(including temperature rise in applying electrical current)
- Contact resistance: Initial value/10m Ω max.  
After environmental testing/20m Ω max.
- Insulation resistance: 1,000M Ω min.
- Withstanding voltage: 1,500V AC/minute
- Applicable wire: AWG #26 to #14
- Applicable PC board thickness: 1.6mm

Note: The current rating differs depending on the number of circuits and the wire size used in each connector. The table below lists the current rating as a function of the number of circuits and the wire size.

Circuits	Wire size(AWG)						
	# 14	# 16	# 18	# 20	# 22	# 24	# 26
2	15	10	7	5	4	3	2
3	14	9	6	4	4	3	2
4	13	9	6	4	4	3	2
6	12	8	5	3	3	2	2

Note: Do not branch in parallel current which exceeds the rated current (eg. more than 15A in the case of 2 circuits with AWG #14). If branched in parallel, current imbalance or other problems may develop. If it is absolutely necessary to branch such a large current in parallel, design the circuits without causing any imbalance and provide an extra margin for each circuit.

- \* Compliant with RoHS.
- \* Refer to "General Instruction and Notice when using Terminals and Connectors" at the end of this catalog.
- \* Contact JST for details.

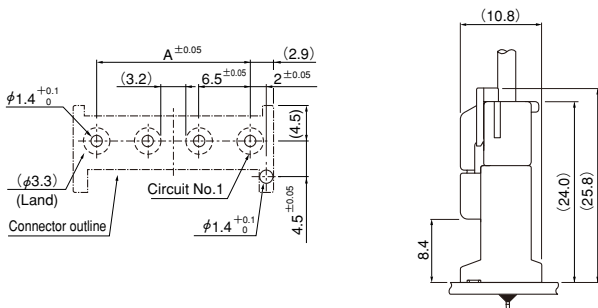
## Standards

Recognized E60389

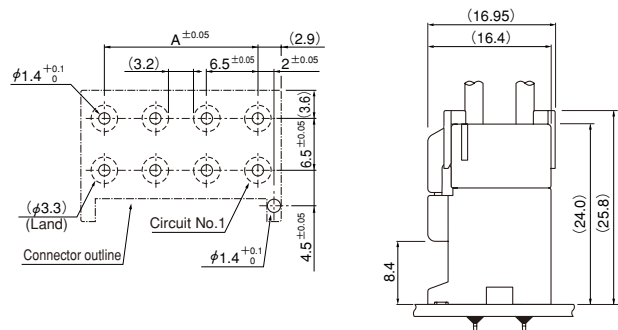
R50036139

## PC board layout (viewed from component side) and Assembly layout

### Single-row type



### Double-row type

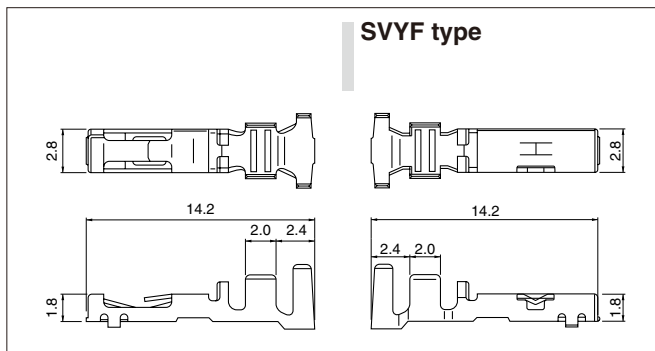


Note: 1. Tolerances are non-cumulative: ±0.05mm for all centers.

2. Hole dimensions differ according to the kind of PC board and piercing method. The dimensions above should serve as a guideline. Contact JST for details.

# VYH CONNECTOR

## Contact



Contact	Crimping machine	Applicator		
		Crimp applicator	Dies	Crimp applicator with dies
SYF-01T-P0.5A	AP-K2N	MKS-L	MK/SYF/M-01-05	APLMK SYF/M01-05
		*MKS-SC-YL	SC/SYF/M-01-05	APLSC SYF/M01-05
SYF-61T-P0.5A		MKS-L	MK/SYF/M-61-05	APLMK SYF/M61-05
		—	—	—
SVYF-61T-P0.5A	MKS-L	MK/SYF/M-61-05	APLMK SYF/M61-05	
	—	—	—	

Model No.	Applicable wire		Insulation O.D. (mm)	Q'ty / reel
	mm <sup>2</sup>	AWG #		
SYF-01T-P0.5A	0.13~0.5	26~20	1.3~2.5	4,000
SYF-41T-P0.5A	0.5 ~1.25	20~16	2.0~3.4	4,000
SYF-61T-P0.5A	0.75~2.0	18~14	2.1~3.4	2,000
**SVYF-41T-P0.5A-13.5	0.5 ~1.25	20~16	2.0~3.4	4,000
*SVYF-61T-P0.5A	0.75~2.0	18~14	2.1~3.6	2,000

### Material and Finish

Copper alloy, tin-plated (reflow treatment)

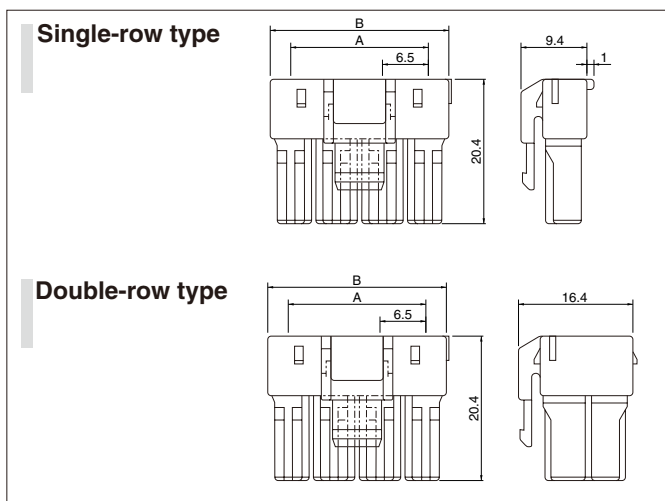
### RoHS compliance

- Note: 1. SVYF type contact was developed only for VYH connector in order to improve the prevention of prying.  
 2. Retainer cannot be used when using 41 type contact AWG#16 and 61 type contact.  
 3. \*Marked product is not TÜV approved.  
 4. \*\*Marked product is not UL/TÜV approved.

Contact	Crimping machine	Applicator		
		Crimp applicator	Dies	Crimp applicator with dies
SYF-41T-P0.5A	AP-K2N	MKS-L	MK/SYF/M-41-05	APLMK SYF/M41-05
		*MKS-SC-YL	SC/SYF/M-41-05	APLSC SYF/M41-05
SVYF-41T-P0.5A-13.5		MKS-L	MK/SYF-41-05-13.5	APLMK SVYF41-05-13.5
		—	—	—

Note: \*Strip-crimp applicator

## Housing



Type	Circuits	Model No.	Dimensions (mm)		Q'ty / bag
			A	B	
Single-row type	2	VYHP-02V	6.5	12.3	400
	3	VYHP-03V	13.0	18.8	300
	4	VYHP-04V	19.5	25.3	200
Double-row type	4	VYHP-04VD	6.5	12.3	200
	6	VYHP-06VD	13.0	18.8	150

### Material

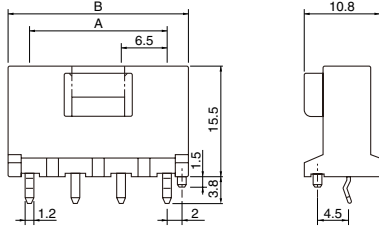
PA 66, UL94V-0, natural (white)

### RoHS compliance

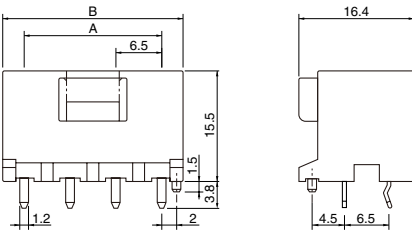
# VYH CONNECTOR

## Shrouded header

### Single-row type



### Double-row type



Type	Circuits	Model No.	Dimensions (mm)		Q'ty / box
			A	B	
Single-row type	2	<b>B02B-VYHSK-1</b>	6.5	12.3	400
	3	<b>B03B-VYHSK-1</b>	13.0	18.8	300
	4	<b>B04B-VYHSK-1</b>	19.5	25.3	200
Double-row type	4	<b>B04B-VYHSK-D-1</b>	6.5	12.3	200
	6	<b>B06B-VYHSK-D-1</b>	13.0	18.8	150

#### Material and Finish

Post: Copper alloy, copper-undercoated, tin-plated (reflow treatment)  
Wafer: Glass-filled PBT, UL94V-0, natural (white)

**RoHS compliance** This product displays (LF)(SN) on a label.

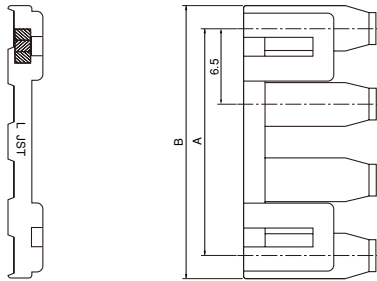
Type	Circuits	Model No.	Dimensions (mm)		Q'ty / box
			A	B	
Single-row type	2	<b>B02B-VYHSK-M-1</b>	6.5	12.3	400
	3	<b>B03B-VYHSK-M-1</b>	13.0	18.8	300
	4	<b>B04B-VYHSK-M-1</b>	19.5	25.3	200
Double-row type	4	<b>B04B-VYHSK-DM-1</b>	6.5	12.3	200
	6	<b>B06B-VYHSK-DM-1</b>	13.0	18.8	150

#### Material and Finish

Post: Copper alloy, copper-undercoated, tin-plated (reflow treatment)  
Wafer: Glass-filled PA66, UL94V-0, natural (ivory)

**RoHS compliance** This product displays (LF)(SN) on a label.  
Note: Not UL approved.

## Retainer



Circuits	Model No.	Dimensions (mm)		Q'ty / bag
		A	B	
2	<b>VYHS-02V-S</b>	6.5	10.3	4,000
3	<b>VYHS-03V-S</b>	13.0	16.8	3,000
4	<b>VYHS-04V-S</b>	19.5	23.3	2,000

#### Material

Glass-filled PA 66, UL94V-0, natural (ivory)

**RoHS compliance**  
Note: Not TÜV approved.