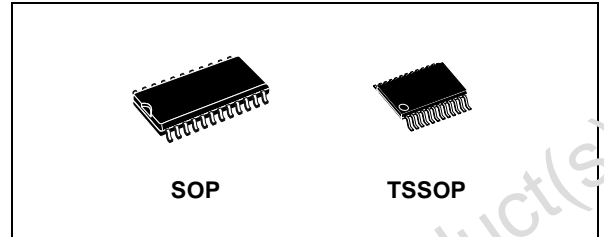


## OCTAL DUAL SUPPLY BUS TRANSCEIVER

- **HIGH SPEED:**  
 $t_{PD} = 8\text{ns (MAX.)}$  at  $T_A=25^\circ\text{C}$   
 $V_{CCA} = 3.3\text{V}, V_{CCB} = 5.0\text{V}$
- **LOW POWER DISSIPATION:**  
 $I_{CCA} = I_{CCB} = 5\mu\text{A (MAX.)}$  at  $T_A=25^\circ\text{C}$
- **LOW NOISE:**  $V_{OLP} = 0.3\text{V (TYP.)}$  at  $V_{CCA}=3.3\text{V}$
- **SYMMETRICAL OUTPUT IMPEDANCE:**  
 $|I_{OH}| = I_{OL} = 24\text{mA (MIN)}$
- **BALANCED PROPAGATION DELAYS:**  
 $t_{PLH} \cong t_{PHL}$
- **OPERATING VOLTAGE RANGE:**  
 $V_{CCA}(\text{OPR}) = 2.7\text{V to } 3.6\text{V (1.2V Data Retention)}$   
 $V_{CCB}(\text{OPR}) = 2.7\text{V to } 5.5\text{V (1.2V Data Retention)}$   
**PIN AND FUNCTION COMPATIBLE WITH 74 SERIES C3245**
- **IMPROVED LATCH-UP IMMUNITY**



**Table 1: Order Codes**

PACKAGE	T & R
SOP	74LVXC3245MTR
TSSOP	74LVXC3245TTR

### DESCRIPTION

The 74LVXC3245 is a dual supply 8 bit configurable low voltage CMOS OCTAL BUS TRANSCEIVER fabricated with sub-micron silicon gate and double-layer metal wiring CMOS technology. Designed for use as an interface between a 3.3V bus and a 3.3V to 5V bus in a mixed 3.3V/5V supply systems, it achieves high speed operation while maintaining the CMOS low power dissipation.

This IC is intended for two-way asynchronous communication between data buses and the direction of data transmission is determined by DIR input. The enable input  $\bar{G}$  can be used to disable the device so that the buses are effectively isolated.

The A-port interfaces with the 3V bus, the B-port with the 5V bus.

All inputs are equipped with protection circuits against static discharge, giving them 2KV ESD immunity and transient excess voltage.

**Figure 1: Pin Connection And IEC Logic Symbols**

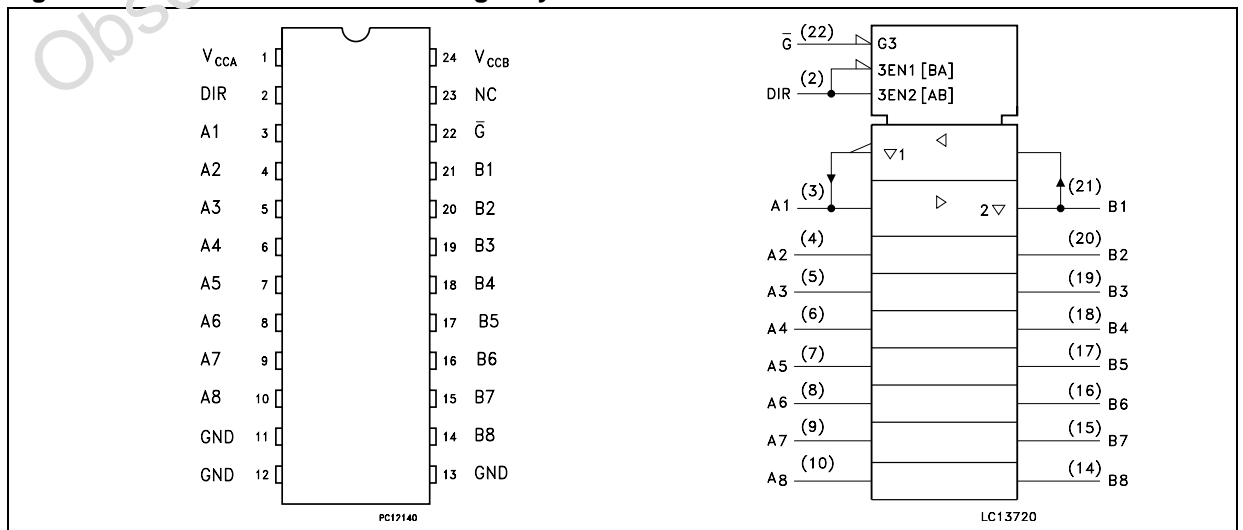


Figure 2: Input And Output Equivalent Circuit

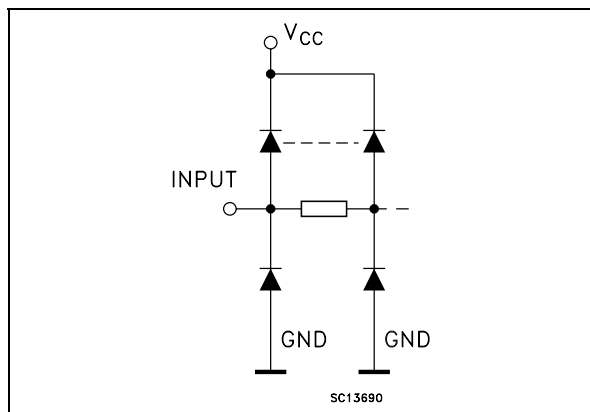


Table 2: Pin Description

PIN N°	SYMBOL	NAME AND FUNCTION
2	DIR	Directional Control
3, 4, 5, 6, 7, 8, 9, 10	A1 to A8	Data Inputs/Outputs
21, 20, 19, 18, 17, 16, 15, 14	B1 to B8	Data Inputs/Outputs
22	G	Output Enable Input
11, 12, 13	GND	Ground (0V)
23	NC	Not Connected
1	V <sub>CCA</sub>	Positive Supply Voltage
24	V <sub>CCB</sub>	Positive Supply Voltage

Table 3: Truth Table

INPUTS		FUNCTION		OUTPUT
$\overline{G}$	DIR	A BUS	B BUS	
L	L	OUTPUT	INPUT	A = B
L	H	INPUT	OUTPUT	B = A
H	X	Z	Z	Z

X : Don't Care  
Z : High Impedance

Table 4: Absolute Maximum Ratings

Symbol	Parameter	Value	Unit
V <sub>CCA</sub>	Supply Voltage	-0.5 to +7.0	V
V <sub>CCB</sub>	Supply Voltage	-0.5 to +7.0	V
V <sub>I</sub>	DC Input Voltage	-0.5 to V <sub>CCA</sub> + 0.5	V
V <sub>I/OA</sub>	DC I/O Voltage	-0.5 to V <sub>CCA</sub> + 0.5	V
V <sub>I/OB</sub>	DC I/O Voltage	-0.5 to V <sub>CCB</sub> + 0.5	V
I <sub>IK</sub>	DC Input Diode Current	± 20	mA
I <sub>OK</sub>	DC Output Diode Current	± 50	mA
I <sub>OA</sub>	DC Output Current	± 50	mA
I <sub>OE</sub>	DC Output Current	± 50	mA
I <sub>CCA</sub>	DC V <sub>CC</sub> or Ground Current	± 200	mA
I <sub>CCB</sub>	DC V <sub>CC</sub> or Ground Current	± 100	mA
P <sub>d</sub>	Power Dissipation	180	mW
T <sub>stg</sub>	Storage Temperature	-65 to +150	°C
T <sub>L</sub>	Lead Temperature (10 sec)	300	°C

Absolute Maximum Ratings are those values beyond which damage to the device may occur. Functional operation under these conditions is not implied

Table 5: Recommended Operating Conditions

Symbol	Parameter	Value	Unit
$V_{CCA}$	Supply Voltage (note 1)	2.7 to 3.6	V
$V_{CCB}$	Supply Voltage (note 1)	2.7 to 5.5	V
$V_I$	Input Voltage	0 to $V_{CCA}$	V
$V_{I/OA}$	I/O Voltage	0 to $V_{CCA}$	V
$V_{I/OB}$	I/O Voltage	0 to $V_{CCB}$	V
$T_{op}$	Operating Temperature	-55 to 125	°C
dt/dv	Input Rise and Fall Time (note 2)	0 to 10	ns/V

1)  $V_{IN}$  from 30% to 70% of  $V_{CC}$ 2)  $V_{CCA} = 2.7$  to 3.6V;  $V_{CCB} = 2.7$  to 5.5V;Table 6: DC Specifications For  $V_{CCA}$ 

Symbol	Parameter	Test Condition			Value						Unit	
		$V_{CCA}$ (V)	$V_{CCB}$ (V)		$T_A = 25\text{ °C}$			$-40\text{ to }85\text{ °C}$		$-55\text{ to }125\text{ °C}$		
					Min.	Typ.	Max.	Min.	Max.	Min.		Max.
$V_{IHA}$	High Level Input Voltage	2.7	3.0		2.0			2.0		2.0		V
		3.0	3.6		2.0			2.0		2.0		
		3.6	5.5		2.0			2.0		2.0		
$V_{ILA}$	Low Level Input Voltage	2.7	3.0				0.8		0.8		0.8	V
		3.0	3.6				0.8		0.8		0.8	
		3.6	5.5				0.8		0.8		0.8	
$V_{OHA}$	High Level Output Voltage	3.0	3.0	$I_O = -100\text{ }\mu\text{A}$	2.9	2.99		2.9		2.9		V
		3.0	3.0	$I_O = -12\text{ mA}$	2.56	2.85		2.46		2.46		
		3.0	3.0	$I_O = -24\text{ mA}$	2.35	2.65		2.25		2.25		
		2.7	3.0	$I_O = -12\text{ mA}$	2.3	2.5		2.2		2.2		
		2.7	4.5	$I_O = -24\text{ mA}$	2.1	2.3		2.0		2.0		
$V_{OLA}$	Low Level Output Voltage	3.0	3.0	$I_O = 100\text{ }\mu\text{A}$		0.0	0.1		0.1		0.1	V
		3.0	3.0	$I_O = 24\text{ mA}$		0.21	0.36		0.44		0.44	
		2.7	3.0	$I_O = 12\text{ mA}$		0.11	0.36		0.44		0.44	
		2.7	4.5	$I_O = 24\text{ mA}$		0.22	0.42		0.5		0.5	
$I_{IA}$	Input Leakage Current	3.6	5.5	$V_I = V_{CC}$ or GND			$\pm 0.1$		$\pm 1$		$\pm 1$	$\mu\text{A}$
$I_{OZA}$	High Impedance Output Leakage Current	3.6	5.5	$V_{IA} = V_{IHA}$ or $V_{ILA}$ $V_{IB} = V_{IHB}$ or $V_{ILB}$ $V_{I/OA} = V_{CCA}$ or GND			$\pm 0.5$		$\pm 5$		$\pm 5$	$\mu\text{A}$
$I_{CCA}$	Quiescent Supply Current	3.6	5.5	$V_{IA} = V_{CCA}$ or GND $V_{IB} = V_{CCB}$ or GND			5		50		50	$\mu\text{A}$
$I_{CCIAF}$	Quiescent $V_{CCA}$ Supply Current as B Port Floats	3.6	Open	$V_{IA} = V_{CCA}$ or GND $G = DIR = V_{CCA}$ $V_{IB} = \text{Open}$			5		50		50	$\mu\text{A}$
$\Delta I_{CCA}$	Maximum Quiescent Supply Current / Input (An, DIR, G)	3.6	5.5	$V_{IA} = V_{CCA} - 0.6\text{V}$ $V_{IB} = V_{CCB}$ or GND			0.35		0.5		0.5	mA

Table 7: DC Specifications For  $V_{CCB}$ 

Symbol	Parameter	Test Condition			Value						Unit	
		$V_{CCA}$ (V)	$V_{CCB}$ (V)		$T_A = 25\text{ }^\circ\text{C}$			$-40\text{ to }85\text{ }^\circ\text{C}$		$-55\text{ to }125\text{ }^\circ\text{C}$		
					Min.	Typ.	Max.	Min.	Max.	Min.		Max.
$V_{IHB}$	High Level Input Voltage	2.7	3.0		2.0			2.0		2.0		V
		3.0	3.6		2.0			2.0		2.0		
		3.6	5.5		3.85			3.85		3.85		
$V_{ILB}$	Low Level Input Voltage	2.7	3.0				0.8		0.8		0.8	V
		3.0	3.6				0.8		0.8		0.8	
		3.6	5.5				1.65		1.65		1.65	
$V_{OHB}$	High Level Output Voltage	3.0	3.0	$I_O = -100\text{ }\mu\text{A}$	2.9	3.0		2.9		2.9		V
		3.0	3.0	$I_O = -12\text{ mA}$	2.56	2.85		2.46		2.46		
		3.0	3.0	$I_O = -24\text{ mA}$	2.35	2.65		2.25		2.25		
		3.0	4.5	$I_O = -24\text{ mA}$	3.86	4.25		3.76		3.76		
$V_{OLB}$	Low Level Output Voltage	3.0	3.0	$I_O = 100\text{ }\mu\text{A}$		0.00	0.1	0.1			0.1	V
		3.0	3.0	$I_O = 24\text{ mA}$		0.21	0.36	0.44			0.44	
		3.0	4.5	$I_O = 24\text{ mA}$		0.18	0.36	0.44			0.44	
$I_{IB}$	Input Leakage Current	3.6	5.5	$V_I = V_{CCA}$ or GND			$\pm 0.1$		$\pm 1$		$\pm 1$	$\mu\text{A}$
$I_{OZB}$	High Impedance Output Leakage Current	3.6	5.5	$V_{IA} = V_{IHA}$ or $V_{ILA}$ $V_{I/OB} = V_{CCB}$ or GND			$\pm 0.5$		$\pm 5$		$\pm 5$	$\mu\text{A}$
$I_{CCIB}$	Quiescent Supply Current	3.6	5.5	$V_{IA} = V_{CCA}$ or GND $V_{IB} = V_{CCB}$ or GND			5		50		50	$\mu\text{A}$
$\Delta I_{CCIB}$	Maximum Quiescent Supply Current / Input	3.6	5.5	$V_{IA} = V_{CCA}$ or GND $V_{IB} = V_{CCB} - 2.1\text{ V}$			1.35		1.5		1.5	mA

Table 8: Dynamic Switching Characteristics

Symbol	Parameter	Test Condition			Value						Unit	
		V <sub>CCA</sub> (V)	V <sub>CCB</sub> (V)		T <sub>A</sub> = 25 °C			-40 to 85 °C		-55 to 125°C		
					Min.	Typ.	Max.	Min.	Max.	Min.		Max.
V <sub>OLPA</sub>	Dynamic Low Level Quiet Output (note 1, 2)	3.3	5.5			1.0	1.5					V
		3.3	5.5		-1.2	-0.6						
V <sub>OLPB</sub>	Dynamic Low Level Quiet Output (note 1, 2)	3.3	5.5			0.8	1.2					V
		3.3	5.5		-0.8	-0.5						
V <sub>IHDA</sub>	Dynamic High Voltage Input (note 1, 3)	3.3	5.5				2					V
V <sub>ILDA</sub>	Dynamic Low Voltage Input (note 1, 3)	3.3	5.5		0.8							V
V <sub>IHDB</sub>	Dynamic High Voltage Input (note 1, 3)	3.3	5.5				2					V
V <sub>ILDB</sub>	Dynamic Low Voltage Input (note 1, 3)	3.3	5.5		0.8							V

1) Worst case package

2) Max number of output defined as (n). Data inputs are driven 0V to 3.3V, (n-1) outputs switching and one output at GND

3) Max number of data inputs (n) switching. (n-1) switching 0V to 3.3V. Inputs under test switching: 3V to threshold (V<sub>ILD</sub>). 0V to threshold (V<sub>IHD</sub>) f = 1MHz

Table 9: AC Electrical Characteristics ( $C_L = 50\text{pF}$ , Input  $t_r = t_f = 3\text{ns}$ )

Symbol	Parameter	Test Condition		Value <sup>(3)</sup>						Unit	
		$V_{CCB}$ (V)		$T_A = 25^\circ\text{C}$			$-40$ to $85^\circ\text{C}$		$-55$ to $125^\circ\text{C}$		
				Min.	Typ.	Max.	Min.	Max.	Min.		Max.
$t_{PLH}$	Propagation Delay Time (An to Bn)	3.0(*)		1.0	5.5	8.5	1.0	9.0	1.0	9.5	ns
		5.0(**)		1.0	4.8	8.0	1.0	8.5	1.0	9.	
$t_{PHL}$	Propagation Delay Time (An to Bn)	3.0(*)		1.0	5.2	8.0	1.0	8.5	1.0	9.0	ns
		5.0(**)		1.0	3.9	6.5	1.0	7.0	1.0	7.5	
$t_{PZL}$	Output Enable Time (G to Bn)	3.0(*)		1.0	6.0	9.0	1.0	9.5	1.0	9.5	ns
		5.0(**)		1.0	4.7	8.0	1.0	8.5	1.0	8.5	
$t_{PZH}$	Output Enable Time (G to Bn)	3.0(*)		1.0	6.1	9.5	1.0	10.0	1.0	10.5	ns
		5.0(**)		1.0	4.8	8.5	1.0	9.0	1.0	9.5	
$t_{PLZ}$	Output Disable Time (G to Bn)	3.0(*)		1.0	6.3	9.5	1.0	10.0	1.0	10.5	ns
		5.0(**)		1.0	4.0	8.0	1.0	8.5	1.0	8.5	
$t_{PHZ}$	Output Disable Time (G to Bn)	3.0(*)		1.0	4.5	8.0	1.0	8.5	1.0	8.5	ns
		5.0(**)		1.0	3.8	7.5	1.0	8.0	1.0	8.5	
$t_{PLH}$	Propagation Delay Time (Bn to An)	3.0(*)		1.0	4.4	7.0	1.0	7.5	1.0	7.5	ns
		5.0(**)		1.0	3.8	6.5	1.0	7.0	1.0	7.5	
$t_{PHL}$	Propagation Delay Time (Bn to An)	3.0(*)		1.0	5.1	7.5	1.0	8.0	1.0	8.5	ns
		5.0(**)		1.0	4.3	7.5	1.0	8.0	1.0	8.5	
$t_{PZL}$	Output Enable Time (G to An)	3.0(*)		1.0	6.4	10.0	1.0	10.5	1.0	10.5	ns
		5.0(**)		1.0	5.9	9.5	1.0	10.0	1.0	10.5	
$t_{PZH}$	Output Enable Time (G to An)	3.0(*)		1.0	5.8	9.0	1.0	9.5	1.0	9.5	ns
		5.0(**)		1.0	5.4	9.0	1.0	9.5	1.0	9.5	
$t_{PLZ}$	Output Disable Time (G to An)	3.0(*)		1.0	5.2	9.5	1.0	10.0	1.0	10.5	ns
		5.0(**)		1.0	4.6	9.5	1.0	10.0	1.0	10.5	
$t_{PHZ}$	Output Disable Time (G to An)	3.0(*)		1.0	3.4	6.5	1.0	7.0	1.0	7.5	ns
		5.0(**)		1.0	3.1	6.5	1.0	7.0	1.0	7.5	
$t_{OSLH}$ $t_{OSHL}$	Output To Output Skew Time (note 1, 2)	3.0(*)			0.5	1.0		1.5		1.5	ns
		5.0(**)			0.5	1.0		1.5		1.5	

1) Skew is defined as the absolute value of the difference between the actual propagation delay for any two outputs of the same device switching in the same direction, either HIGH or LOW ( $t_{OSLH} = |t_{PLHm} - t_{PLHn}|$ ,  $t_{OSHL} = |t_{PHLm} - t_{PHLn}|$ )

2) Parameter guaranteed by design

3) Typical values referred at  $V_{CCA} = 3.3\text{V}$ ,  $V_{CCB} = 5.0\text{V}$  or  $V_{CCA} = 3.3\text{V}$ ,  $V_{CCB} = 3.3\text{V}$

(\*) Voltage Range is  $3.0\text{V} \pm 0.3$

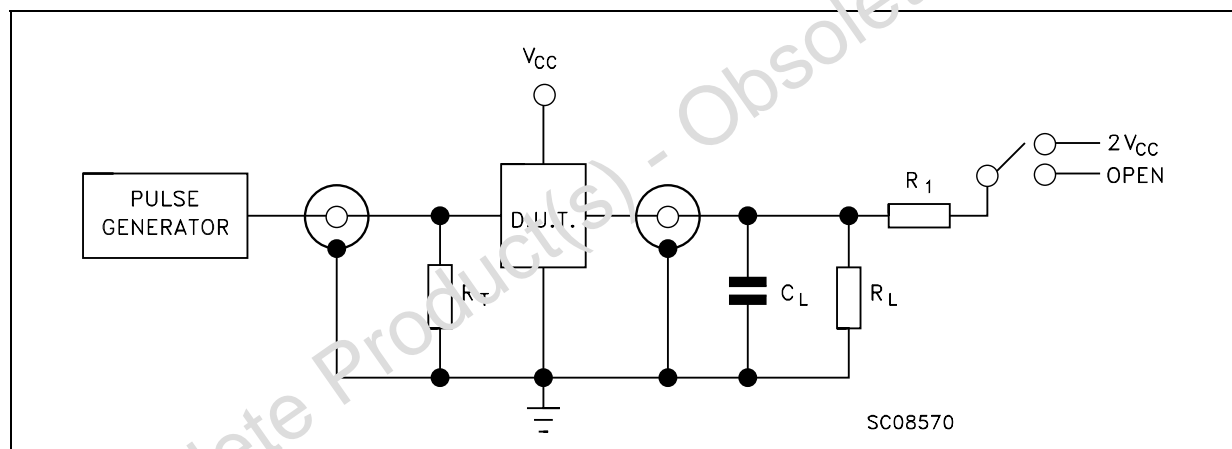
(\*\*) Voltage Range is  $5.0\text{V} \pm 0.5$

Table 10: Capacitive Characteristics

Symbol	Parameter	Test Condition			Value						Unit	
		V <sub>CCA</sub> (V)	V <sub>CCB</sub> (V)		T <sub>A</sub> = 25 °C			-40 to 85 °C		-55 to 125°C		
					Min.	Typ.	Max.	Min.	Max.	Min.		Max.
C <sub>INA</sub>	Input Capacitance	open	open			4.5	10		10		10	V
C <sub>I/O</sub>	Input/Output Capacitance	3.3	5.0			10						V
C <sub>PD</sub>	Dynamic Low Level Quiet Output (note 1) A to B	3.3	5.0			55						V
C <sub>PD</sub>	Dynamic Low Level Quiet Output (note 1) B to A	3.3	5.0			40						V

1) C<sub>PD</sub> is defined as the value of the IC's internal equivalent capacitance which is calculated from the operating current consumption without load. (Refer to Test Circuit). Average current can be obtained by the following equation.  $I_{CC(opr)} = C_{PD} \times V_{CC} \times f_{IN} + I_{CC}/8$  (per circuit)

Figure 3: Test Circuit



TEST	SWITCH
t <sub>PLH</sub> , t <sub>PHL</sub>	Open
t <sub>PZH</sub> , t <sub>PLZ</sub>	2V <sub>CC</sub>
t <sub>PZH</sub> , t <sub>PHZ</sub>	Open

C<sub>L</sub> = 50pF or equivalent (includes jig and probe capacitance)

R<sub>L</sub> = R<sub>1</sub> = 500Ω or equivalent

R<sub>T</sub> = Z<sub>OUT</sub> of pulse generator (typically 50Ω)

Figure 4: Waveform - Propagation Delays (f=1MHz; 50% duty cycle)

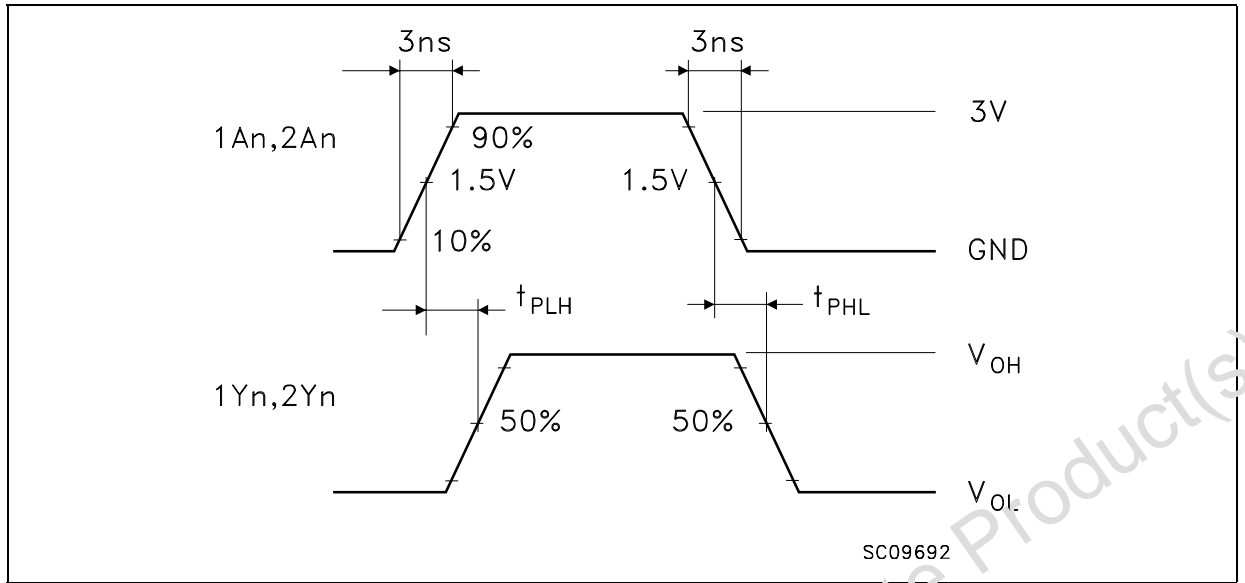
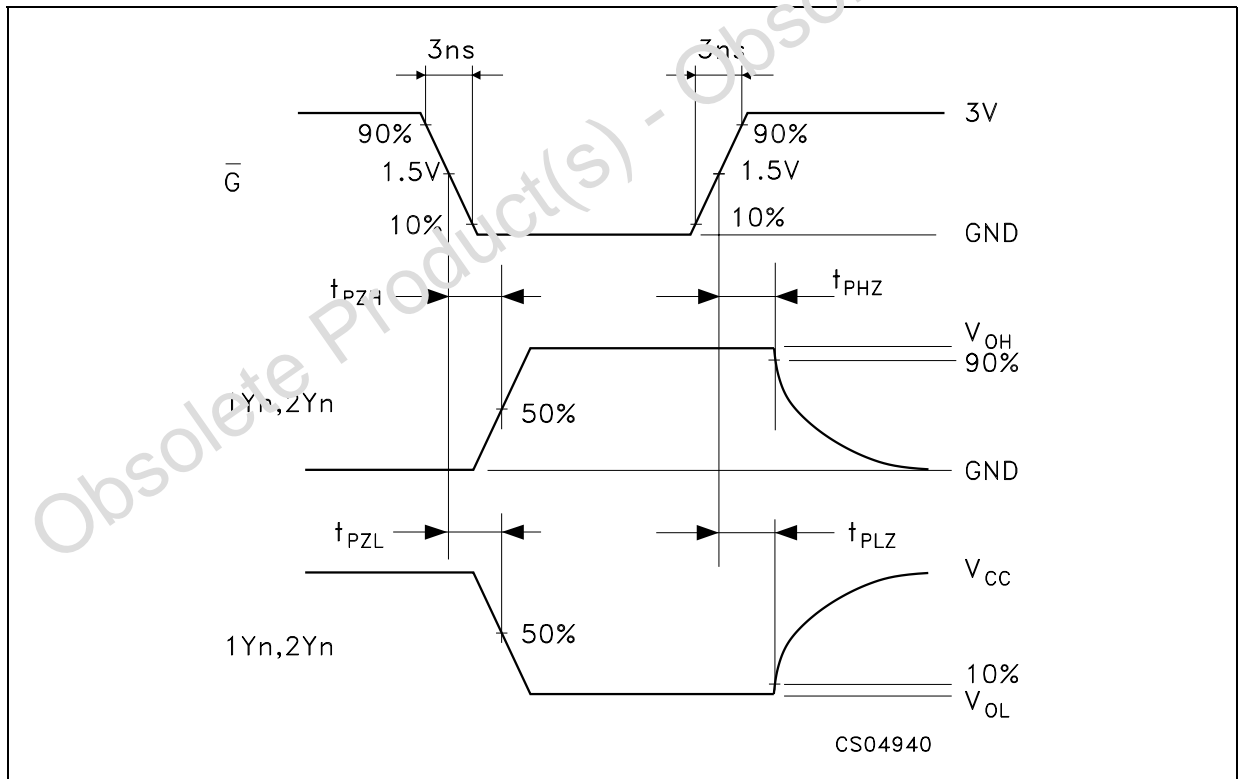


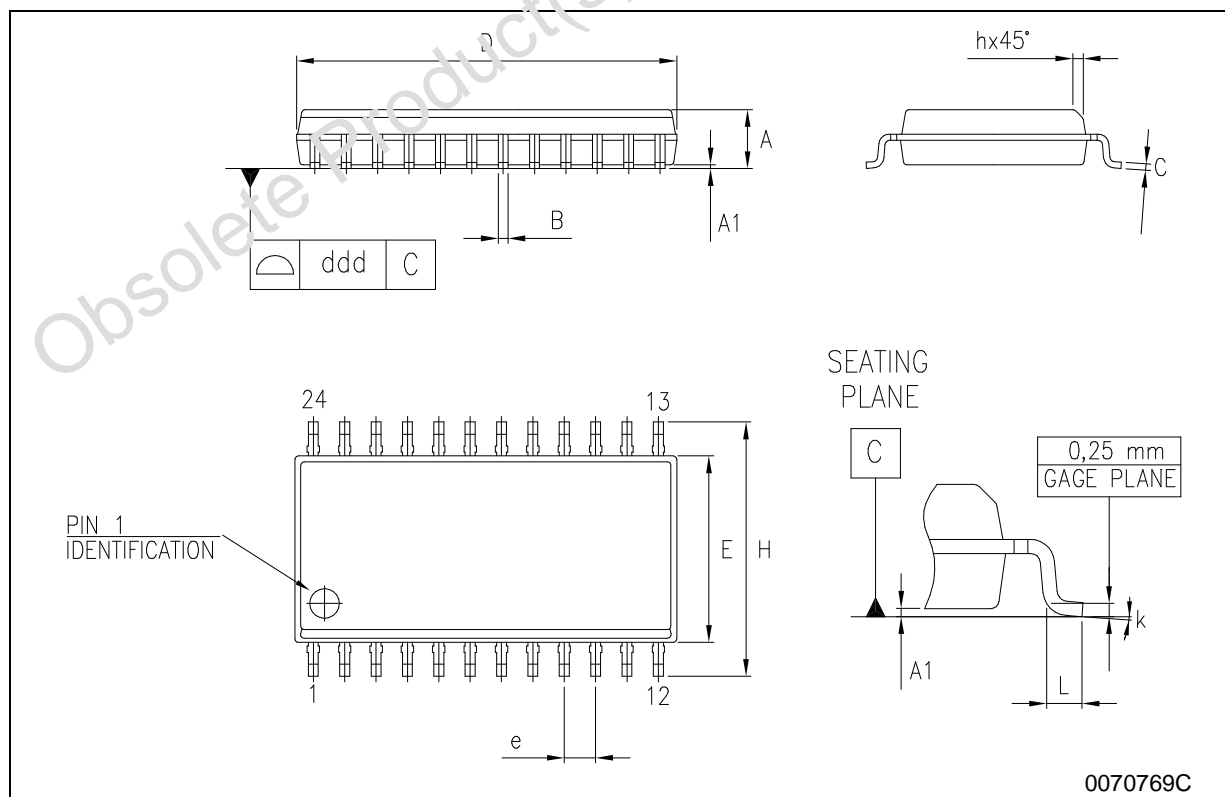
Figure 5: Waveform - Output Enable And Disable Time (f=1MHz; 50% duty cycle)





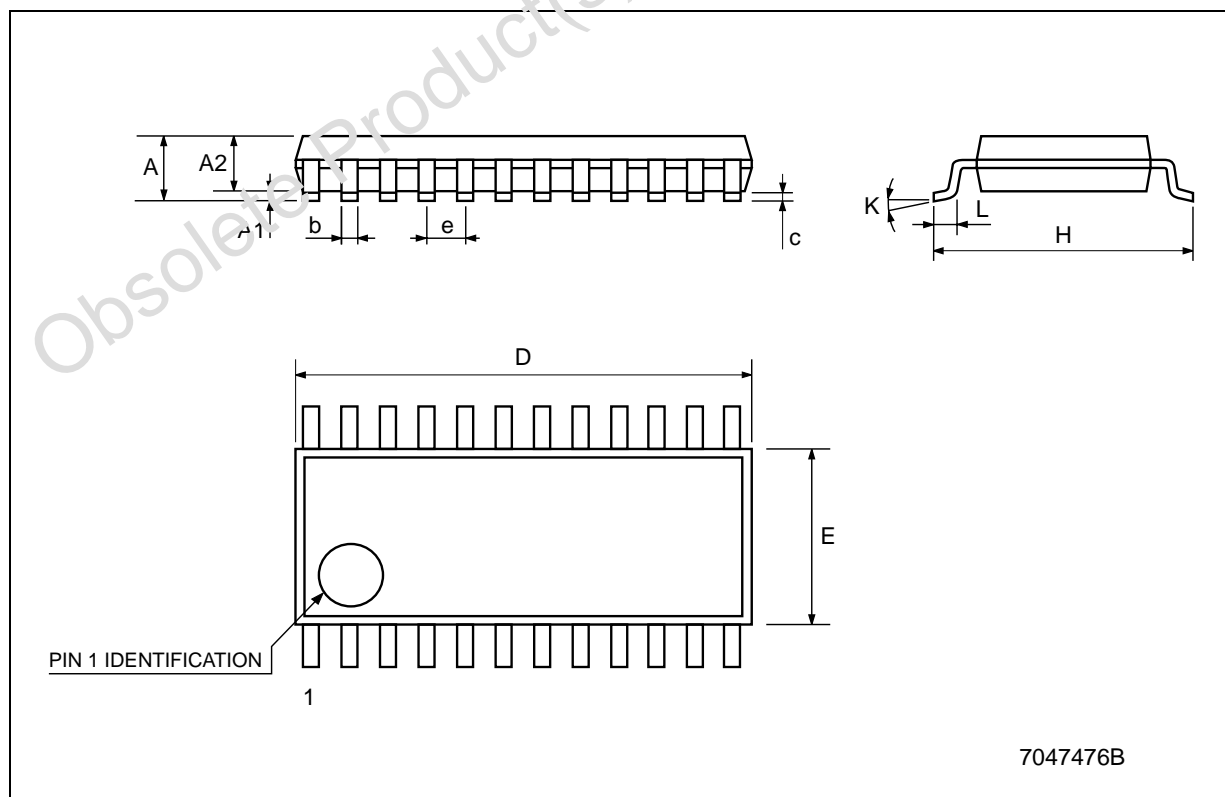
## SO-24 MECHANICAL DATA

DIM.	mm.			inch		
	MIN.	TYP.	MAX.	MIN.	TYP.	MAX.
A	2.35		2.65	0.093		0.104
A1	0.1		0.30	0.004		0.012
B	0.33		0.51	0.013		0.020
C	0.23		0.32	0.009		0.013
D	15.20		15.60	0.598		0.614
E	7.4		7.6	0.291		0.299
e		1.27			0.050	
H	10.00		10.65	0.394		0.419
h	0.25		0.75	0.010		0.030
L	0.4		1.27	0.016		0.050
k	0°		8°	0°		8°
ddd			0.100			0.004



## TSSOP24 MECHANICAL DATA

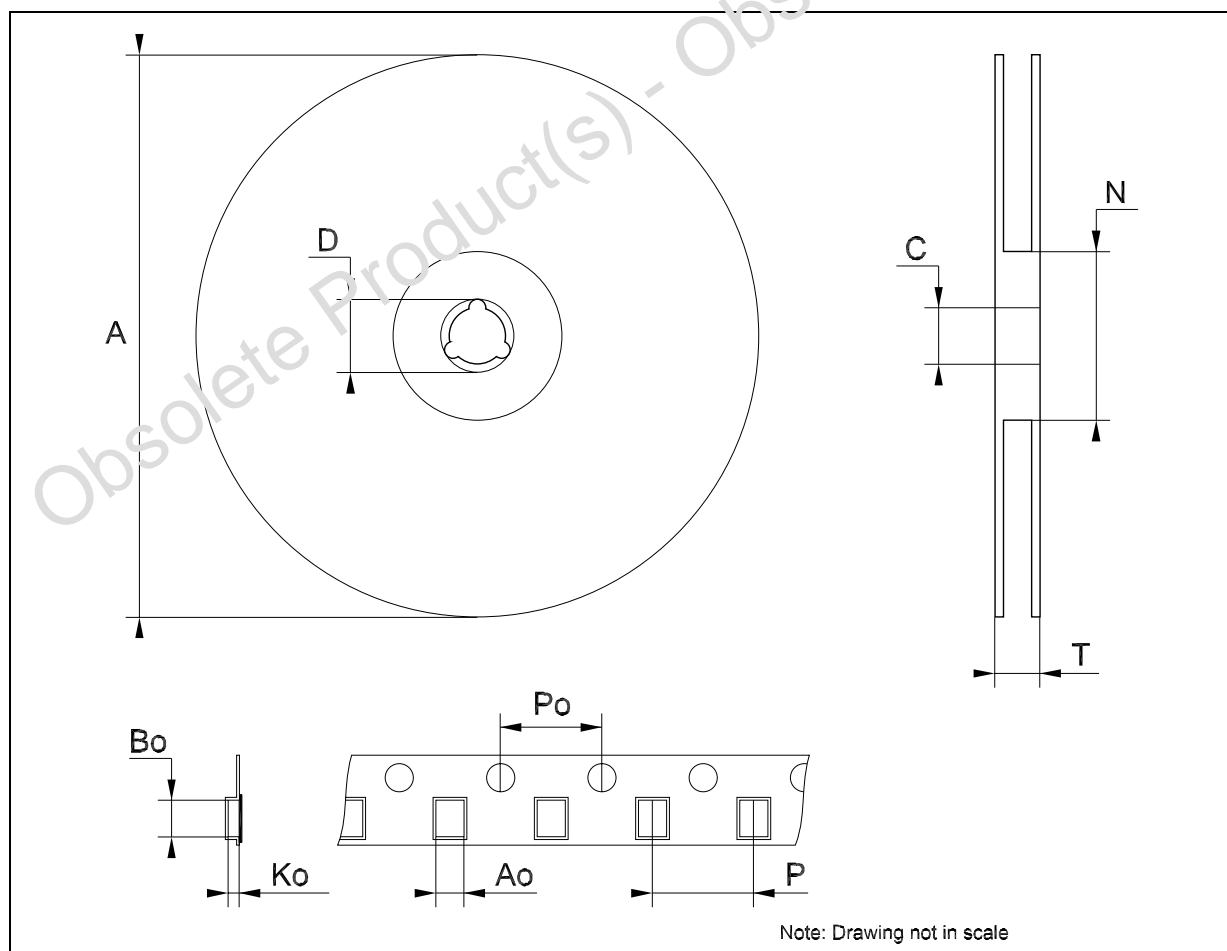
DIM.	mm.			inch		
	MIN.	TYP	MAX.	MIN.	TYP.	MAX.
A			1.1			0.043
A1	0.05		0.15	0.002		0.006
A2		0.9			0.035	
b	0.19		0.30	0.0075		0.0118
c	0.09		0.20	0.0035		0.0079
D	7.7		7.9	0.303		0.311
E	4.3		4.5	0.169		0.177
e		0.65 BSC			0.0256 BSC	
H	6.25		6.5	0.248		0.256
K	0°		8°	0°		8°
L	0.50		0.70	0.020		0.028



7047476B

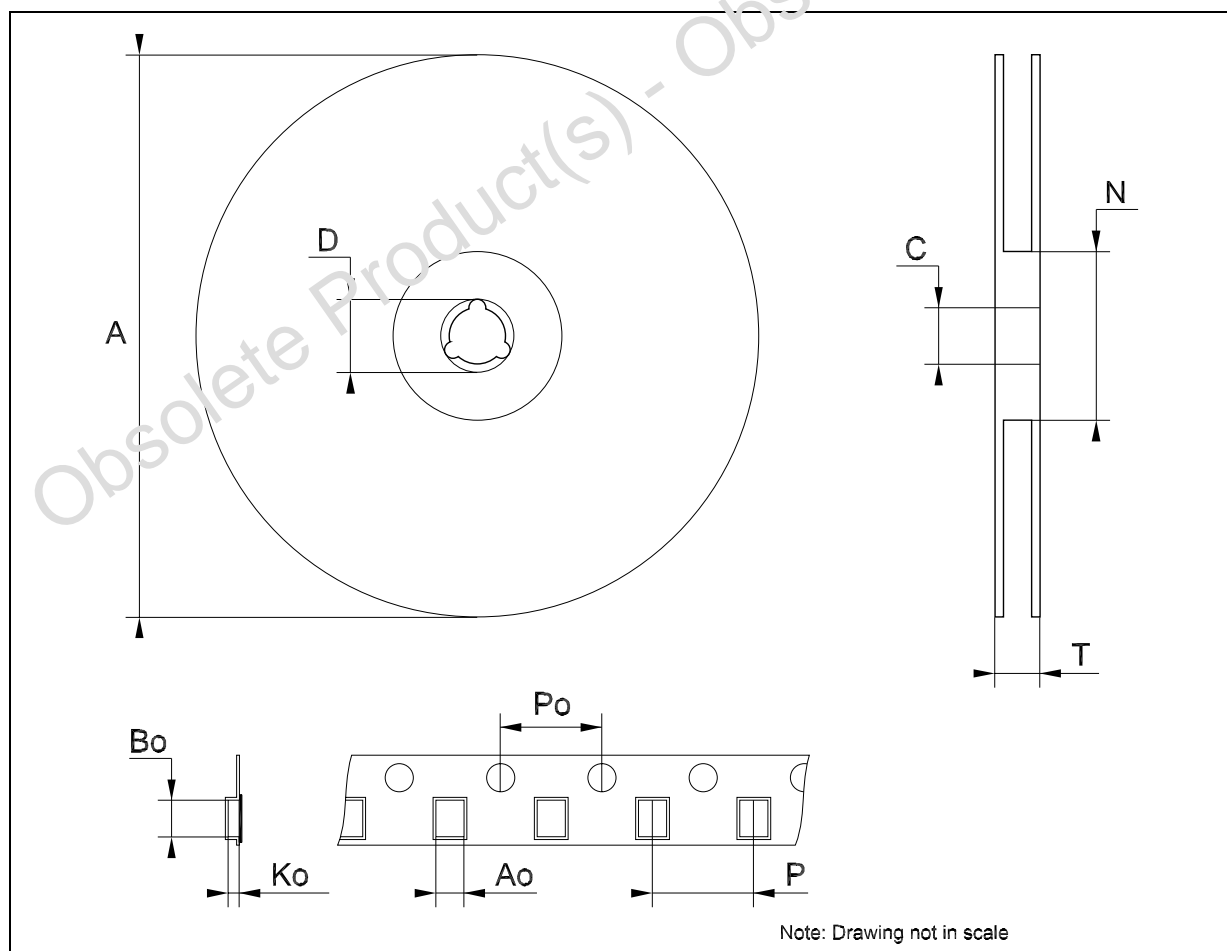
## Tape &amp; Reel SO-24 MECHANICAL DATA

DIM.	mm.			inch		
	MIN.	TYP	MAX.	MIN.	TYP.	MAX.
A			330			12.992
C	12.8		13.2	0.504		0.519
D	20.2			0.795		
N	60			2.362		
T			30.4			1.197
Ao	10.8		11.0	0.425		0.433
Bo	15.7		15.9	0.618		0.626
Ko	2.9		3.1	0.114		0.122
Po	3.9		4.1	0.153		0.161
P	11.9		12.1	0.468		0.476



## Tape &amp; Reel TSSOP24 MECHANICAL DATA

DIM.	mm.			inch		
	MIN.	TYP	MAX.	MIN.	TYP.	MAX.
A			330			12.992
C	12.8		13.2	0.504		0.519
D	20.2			0.795		
N	60			2.362		
T			22.4			0.882
Ao	6.8		7	0.268		0.276
Bo	8.2		8.4	0.323		0.331
Ko	1.7		1.9	0.067		0.075
Po	3.9		4.1	0.153		0.161
P	11.9		12.1	0.468		0.476



**Table 11: Revision History**

Date	Revision	Description of Changes
27-Aug-2004	4	Ordering Codes Revision - pag. 1.

Obsolete Product(s) - Obsolete Product(s)

Information furnished is believed to be accurate and reliable. However, STMicroelectronics assumes no responsibility for the consequences of use of such information nor for any infringement of patents or other rights of third parties which may result from its use. No license is granted by implication or otherwise under any patent or patent rights of STMicroelectronics. Specifications mentioned in this publication are subject to change without notice. This publication supersedes and replaces all information previously supplied. STMicroelectronics products are not authorized for use as critical components in life support devices or systems without express written approval of STMicroelectronics.

The ST logo is a registered trademark of STMicroelectronics

All other names are the property of their respective owners

© 2004 STMicroelectronics - All Rights Reserved

STMicroelectronics group of companies

Australia - Belgium - Brazil - Canada - China - Czech Republic - Finland - France - Germany - Hong Kong - India - Israel - Italy - Japan - Malaysia - Malta - Morocco - Singapore - Spain - Sweden - Switzerland - United Kingdom - United States of America

[www.st.com](http://www.st.com)