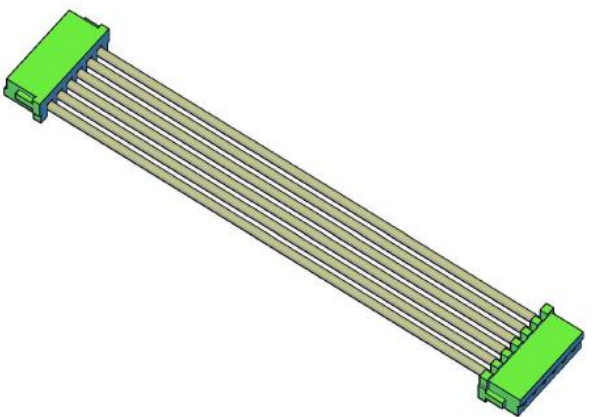
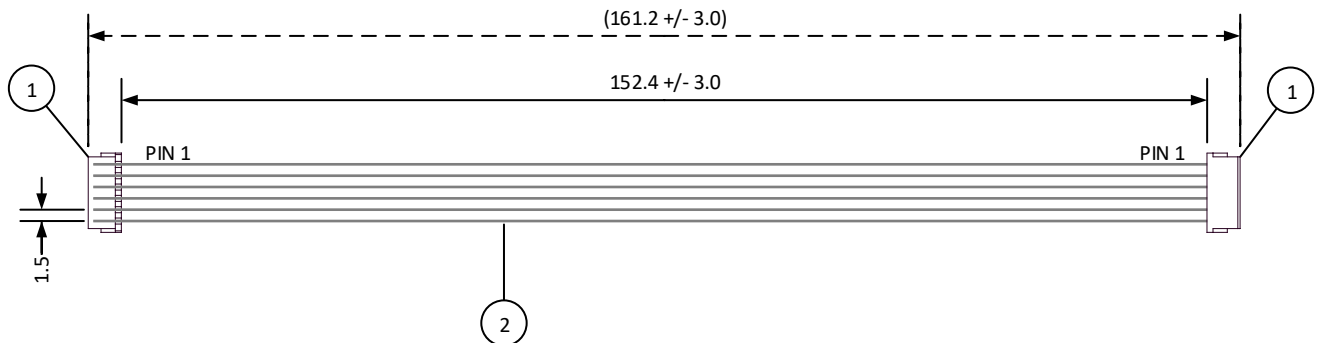


4		3		2		1	
ITEM	CONNECTOR PART NO.	DESCRIPTION	IPI CHECK	EOR CHECK	Applicable Tooling		
1	See Table 1	ZR CONNECTOR			BCD		
2	UL1571, 28 AWG	GREY			TABLE 1		

ITEM	NUMBER OF CIRCUITS	CONNECTOR PART NO.	ASSEMBLY PART NUMBER	TOTAL WIRE REQUIRED
1	2	02ZR-8M-P	A02ZR02ZR28H152A	304.8
1	3	03ZR-8M-P	A03ZR03ZR28H152A	457.2
1	4	04ZR-8M-P	A04ZR04ZR28H152A	609.6
1	5	05ZR-8M-P	A05ZR05ZR28H152A	762.0
1	6	06ZR-8M-P	A06ZR06ZR28H152A	914.4
1	7	07ZR-8M-P	A07ZR07ZR28H152A	1,066.8
1	8	08ZR-8M-P	A08ZR08ZR28H152A	1,219.2
1	9	09ZR-8M-P	A09ZR09ZR28H152A	1,371.6
1	10	10ZR-8M-P	A10ZR10ZR28H152A	1,524.0
1	11	11ZR-8M-P	A11ZR11ZR28H152A	1,676.4
1	12	12ZR-8M-P	A12ZR12ZR28H152A	1,828.8
1	13	13ZR-8M-P	A13ZR13ZR28H152A	1,981.2



SCALE	1: 1	
DIMENSIONS	CUSTOMER NAME	CUSTOMER PART NO.
All dimensions are in MM with a tolerance of +/- 3.0 unless otherwise specified.	DESCRIPTION	
	1.5 mm Pitch ZR Standard Catalog Assembly - 6" Overall Length - Pin out: 1 to 1	
DRAWN BY	ASSEMBLY PART NO.	
STEVEN PILKINGTON	SEE TABLE 1	
CHECKED BY	DRAWING NO. & REVISION	REVISED
JUSTIN BAKER	GAM-017	2/25/2016



REV.	DESCRIPTION	DATE	BY

4 3 2 1