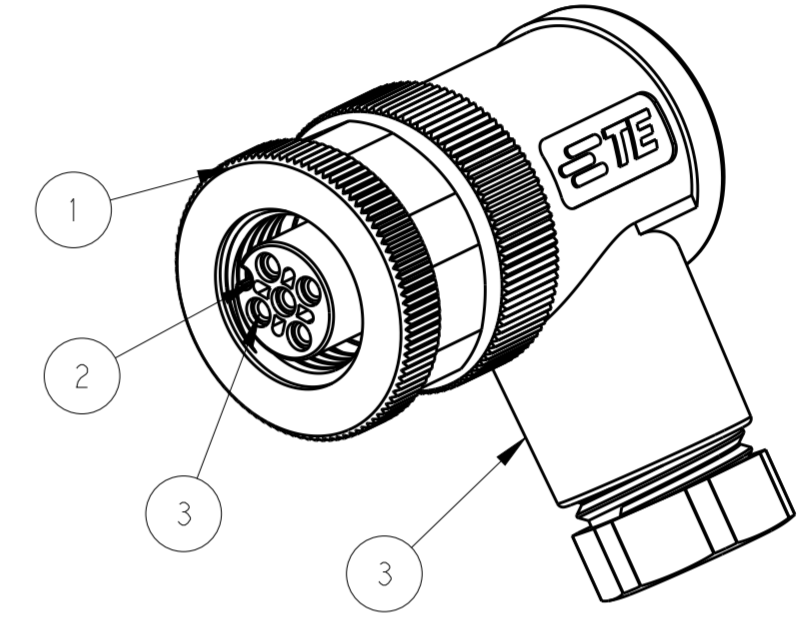
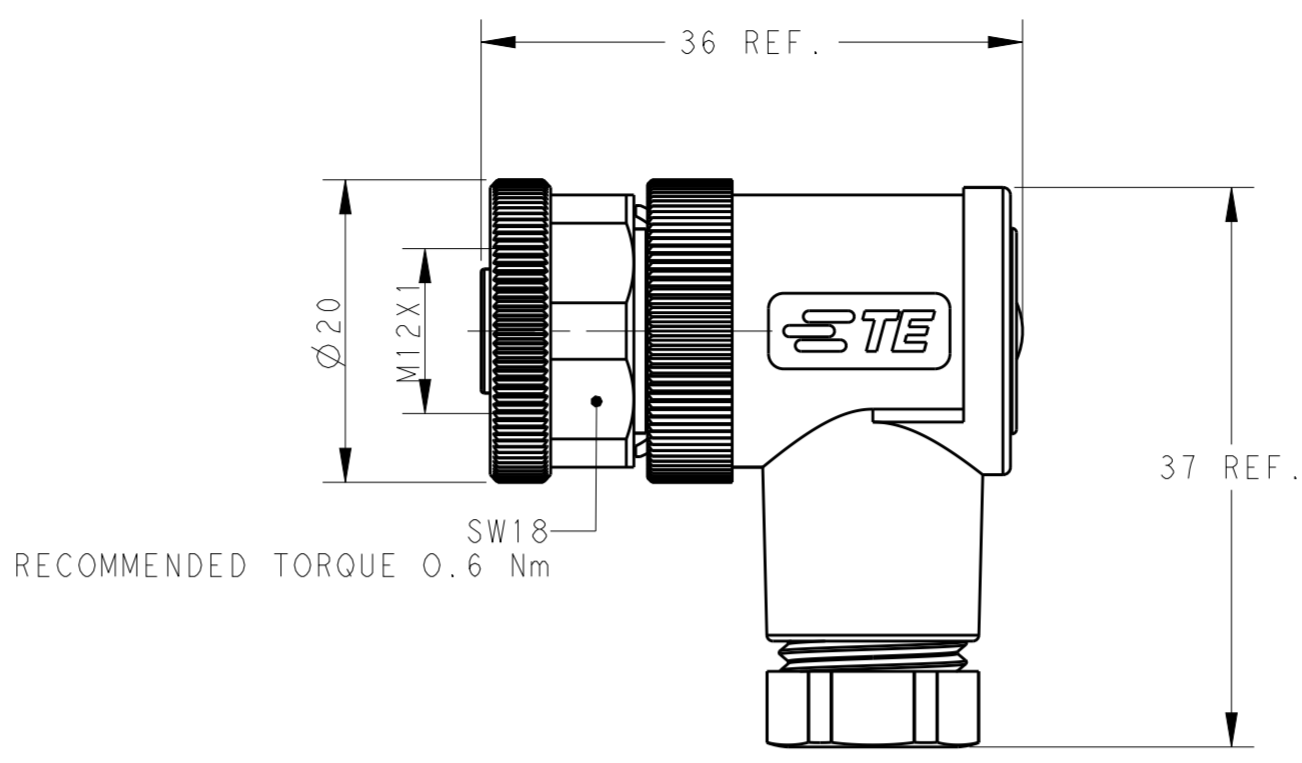
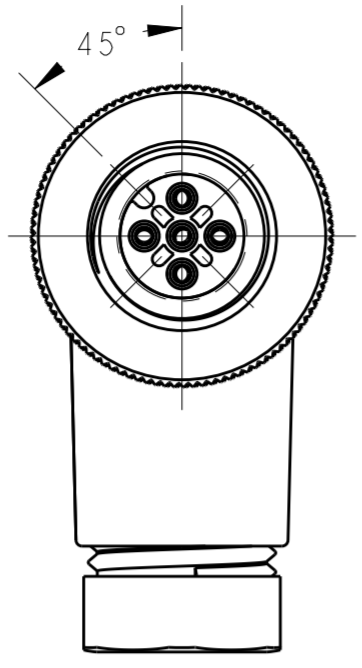


THIS DRAWING IS UNPUBLISHED. RELEASED FOR PUBLICATION 20
 © COPYRIGHT 20 BY - ALL RIGHTS RESERVED.

REVISIONS				
P	LTR	DESCRIPTION	DATE	APVD
A		INITIAL RELEASE	29JUL2015	NP XX
A1		ECR-15-018715 ADD 114 SPEC.	29DEC2015	NP XX

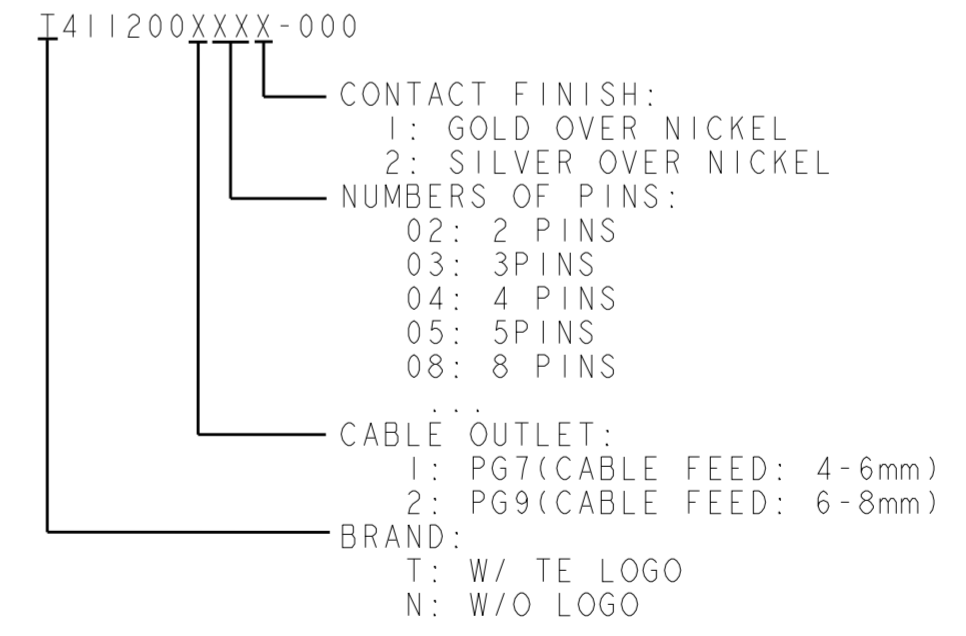


TECHNICAL DATA	T411200X02X-000	T411200X03X-000	T411200X04X-000	T411200X05X-000	T411200X08X-000
RATED VOLTAGE	250V	250V	250V	60V	30V
RATED CURRENT	4A	4A	4A	4A	2A
POLLUTION DEGREE	3	3	3	3	3
OVERVOLTAGE CATEGORY	II	II	II	II	II
MATERIAL GROUP	II	II	II	II	II
CONTACT RESISTANCE	≤8mΩ	≤8mΩ	≤8mΩ	≤8mΩ	≤8mΩ
INSULATION RESISTANCE	>100MΩ	>100MΩ	>100MΩ	>100MΩ	>100MΩ
DEGREE OF PROTECTION	IP67	IP67	IP67	IP67	IP67
OPERATION TEMPERATURE	-40~85°C	-40~85°C	-40~85°C	-40~85°C	-40~85°C

- NOTE:
- MATERIAL:
 - ITEM NO.1: NUT -BRASS
 - ITEM NO.2: HOUSING -PA
 - ITEM NO.3: CONTACT -BRONZE
 - ITEM NO.4: HOUSING BODY: -PBT+GF
 - CONTACT FINISH: GOLD OVER NICKEL OR SILVER OVER NICKEL
 - CABLE WIRES:
 - 18AWG/0.75mm² Max. FOR 2-5 PINS
 - 20AWG/0.50mm² Max. FOR 8 PINS
 - ALLDIMENSIONS ARE FOR NOMINAL REFERENCE ONLY UNLESS OTHERWISE STATED
 - PACKAGEING: 1PIECE IN A BAG
 - PN INFORMATION

PIN ARRANGEMENT A-CODE		
T411200X02X-000	T411200X03X-000	T411200X04X-000

T4112002081-000	RPC-M12A-FR-8CON-PG9-MU
T4112002081-000	RPC-M12A-FR-8CON-PG7-MU
T4112002082-000	RPC-M12A-FR-8CON-PG9-M
T4112001082-000	RPC-M12A-FR-8CON-PG7-M
T4112002051-000	RPC-M12A-FR-5CON-PG9-MU
T4112001051-000	RPC-M12A-FR-5CON-PG7-MU
T4112002052-000	RPC-M12A-FR-5CON-PG9-M
T4112001052-000	RPC-M12A-FR-5CON-PG7-M
T4112002041-000	RPC-M12A-FR-4CON-PG9-MU
T4112001041-000	RPC-M12A-FR-4CON-PG7-MU
T4112002042-000	RPC-M12A-FR-4CON-PG9-M
T4112001042-000	RPC-M12A-FR-4CON-PG7-M
T4112002031-000	RPC-M12A-FR-3CON-PG9-MU
T4112001031-000	RPC-M12A-FR-3CON-PG7-MU
T4112002032-000	RPC-M12A-FR-3CON-PG9-M
T4112001032-000	RPC-M12A-FR-3CON-PG7-M
T4112002021-000	RPC-M12A-FR-2CON-PG9-MU
T4112001021-000	RPC-M12A-FR-2CON-PG7-MU
T4112002022-000	RPC-M12A-FR-2CON-PG9-M
T4112001022-000	RPC-M12A-FR-2CON-PG7-M
TE PN	TYPE



THIS DRAWING IS A CONTROLLED DOCUMENT.		DWN HAO WANG 08JAN2015	TE Connectivity	
		CHK KOBBY ZHAO 08JAN2015		
		APVD XIANG XU 08JAN2015	NAME M12 FEMALE, A CODE, RA UNSHIELDED CONNECTOR SCREW TERNIMAL	
DIMENSIONS: mm		TOLERANCES UNLESS OTHERWISE SPECIFIED:	PRODUCT SPEC 108-106140	
		0 PLC ±0.2	APPLICATION SPEC 114-137144	
MATERIAL		1 PLC ±0.2	WEIGHT	
		2 PLC ±0.2	SCALE 2:1 SHEET 1 OF 1 REV A1	
		3 PLC ±	CUSTOMER DRAWING	
		4 PLC ±		
		ANGLES ±		
		FINISH ±		