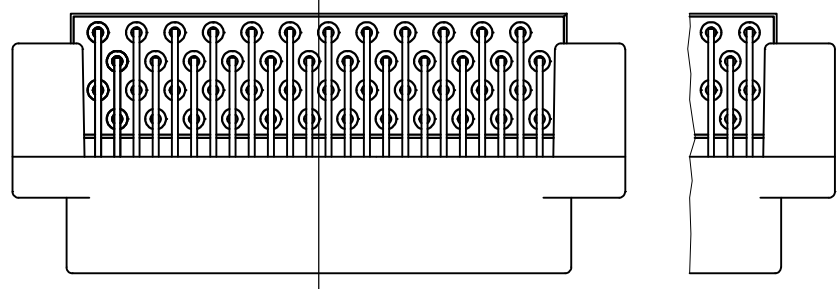


REVISIONS

P	LTR	DESCRIPTION	DATE	DWN	APVD
	A	REVISED PER ECO-16-010036	16NOV2016	AP	DG

48,68,96 POS

34 POS

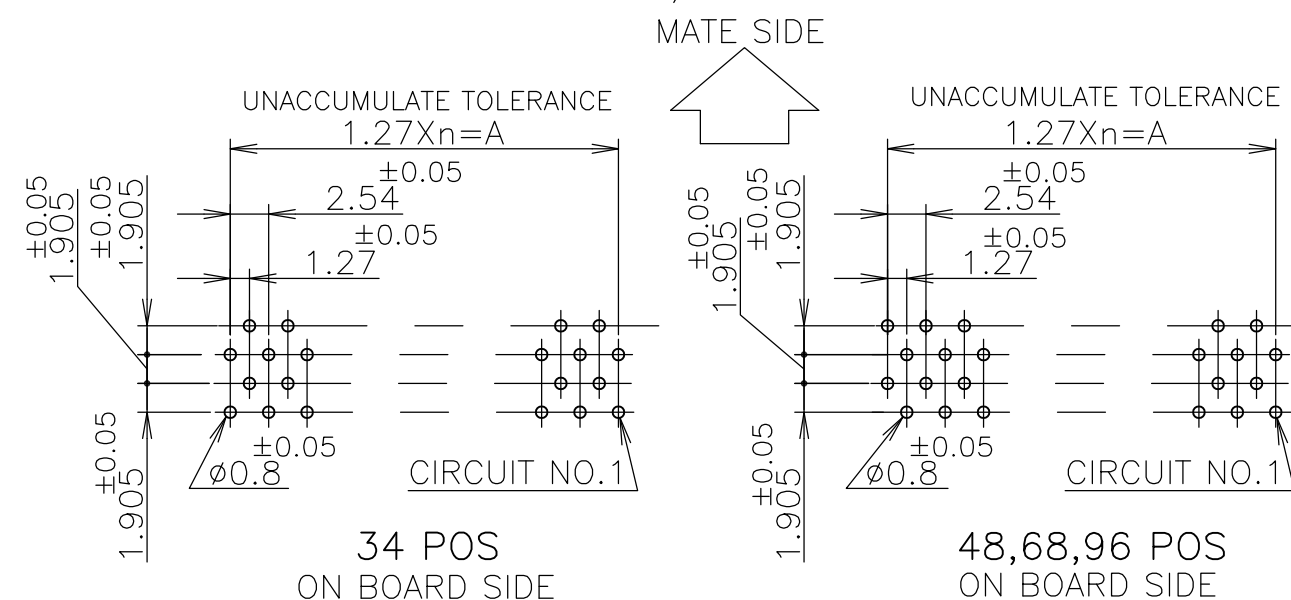
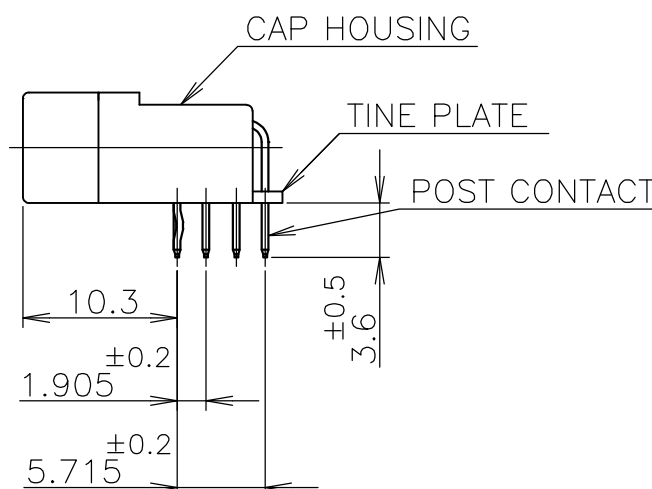
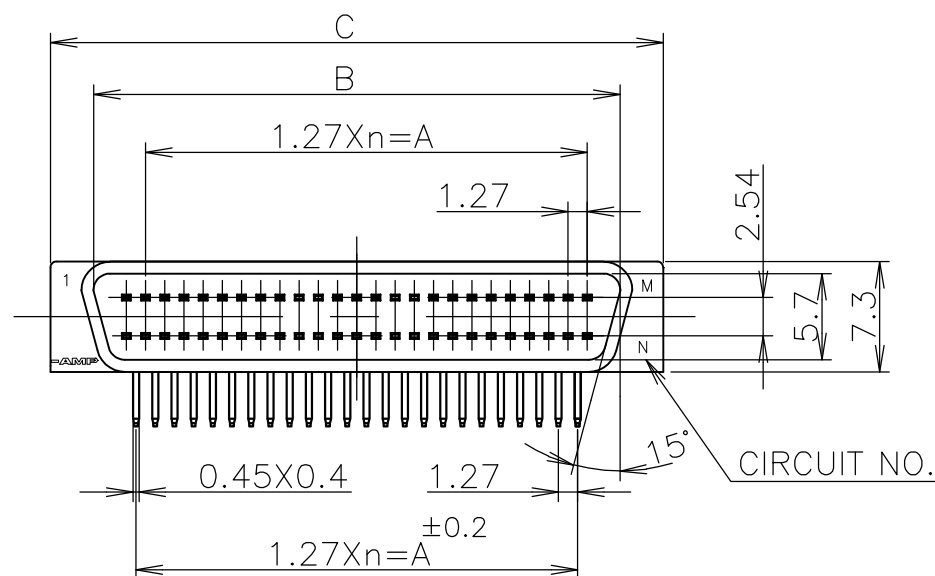


1 MATERIAL AND FINISH
 CAP HOUSING AND TINE PLATE
 ; THERMOPLASTIC (UL94V-0) COLOR:BLACK
 POST CONTACT
 ; PHOS-BRONZE FINISH,OVER NICKEL
 MATING END:0.0002 MIN. OR
 0.00076 MIN. GOLD
 TERMINATION END:TIN
 OVER SEALING TREATMENT.

2 P.C.B. LAYOUT AND P.C.B. TREATMENT(REF.)
 USE A P.C.B. SURFACE ARE TREATED WITH SOLDER RESIST.

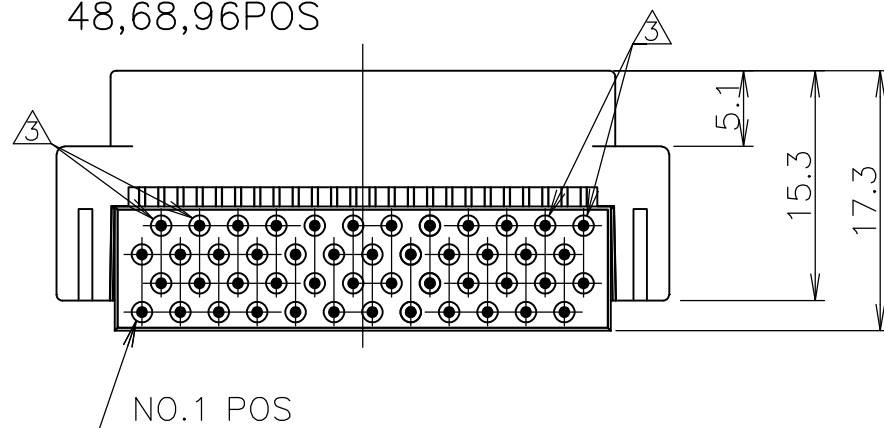
3 KINK POSITIONS(4 POSITIONS).

4 OBSOLETE PARTS: OBSOLETE CIS STREAMLINING PER
 D.RENAUD/D.SINISI



48,68,96POS

34POS



OBSELETE	Au PL. 0.0002 MIN.	96	48	59.69	64.06	71.00	47	96	5174684-8
		68	34	41.91	46.28	53.22	33	68	5174684-7
		48	24	29.21	33.58	40.52	23	48	5174684-6
4	OBSELETE	34	17	20.32	24.69	31.63	16	34	5174684-5
	REMARK	N	M	A	B	C	n	POS.	PART NO.
		CIRCUIT NO.		DIMENSION					

THIS DRAWING IS A CONTROLLED DOCUMENT.

DWN COREL WANG 23AUG04
 CHK STEVEN YAO 23AUG04
 APVD I.ENOMOTO 23AUG04

STE TE Connectivity

NAME 名称
 CAP ASSY HORIZONTAL (W/KINK)
 AMPLIMITE .050 SERIES I B-TO-B CONN.

PRODUCT SPEC 製品規格
 108-60036

APPLICATION SPEC 取付適用規格

WEIGHT 0.000000

SIZE A3 CAGE CODE 00779 DRAWING NO 番号 5174684 RESTRICTED TO

CUSTOMER DRAWING SCALE 尺度 NTS SHEET 1 OF 1 REV A

GENERAL TOLERANCE

10 ≥	±0.2
30 ≥ > 10	±0.25
100 ≥ > 30	±0.3
ANGLES	±3°

LEAD FREE