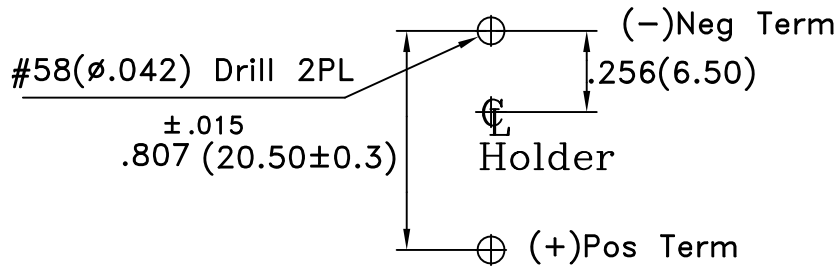
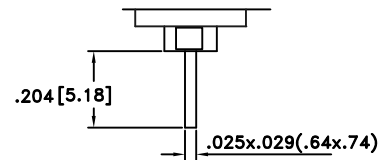
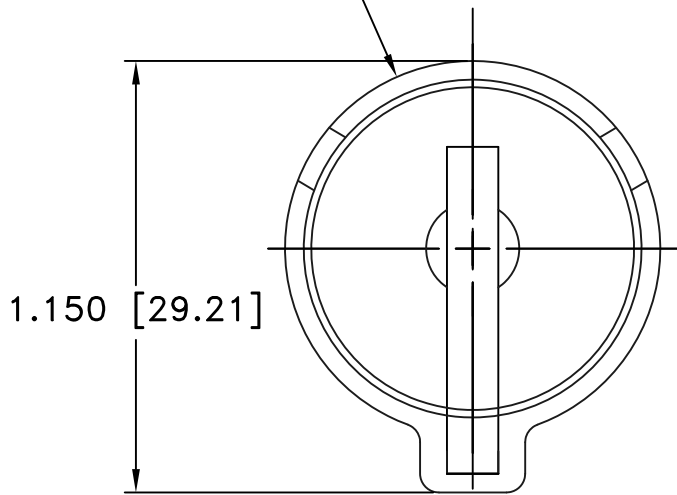


PCB LAYOUT

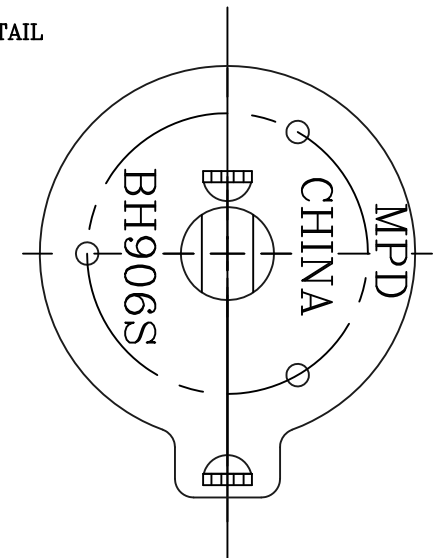
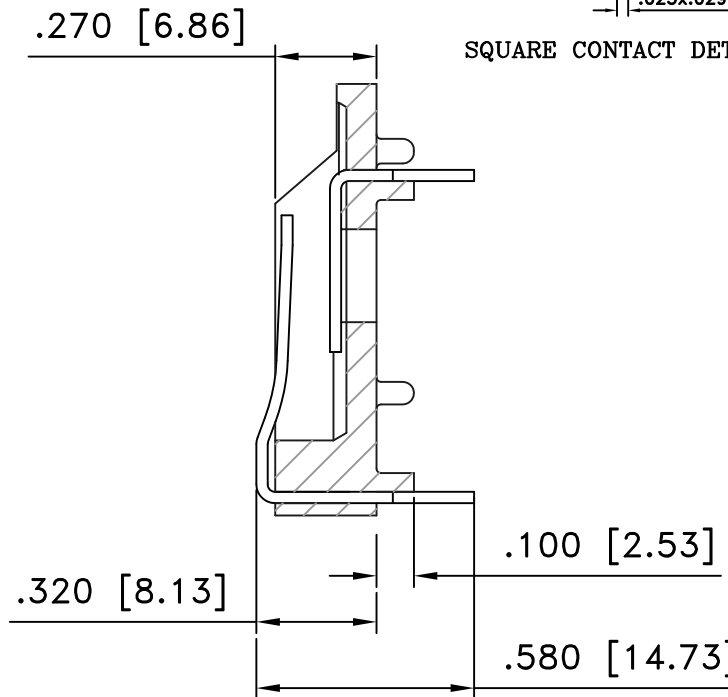


Date	SYM	REVISION RECORD	AUTH	DR.	CK.
7/29/06	B	ADDED "ROHS COMPLIANT"	T.B.	B.S.	
12/12/08	C	DIM. 0.256 WAS 0.205	T.B.	B.S.	
10/28/11	D	REMOVED TOL. FROM DIM. 0.204	T.B.	B.S.	

ø1.00 [ø25.40]




SQUARE CONTACT DETAIL



SPECIFICATIONS

- \*Holder material—thermoplastic, black PBT
- \*Flammability rating—UL94V-0, File No.88499(M)
- \*Contacts—302 spring temper stainless steel nickel plated overall
- \*Dielectric strength—560volts/mil at 25°C for 5seconds
- \*Temperature range— -55° to +180°C
- \*Resistance to solvents—Xylene,ethyl,butyl,methyl&proptl alcohol;ethyl acetate,heptane;toluene;refrigerant
- \* ROHS COMPLIANT

Tolerance (Except as noted)	 Memory protection Devices, Inc 200 Broad Hollow Road, Farmingdale, New York 11735		
decimal ±.5 (.020)	Scale 4=1	Drawn By B.S. Approved By T.B.	
Fractional ± .8 (.030)	Title CR2354 OR TWO BR2325 BATTERY		
Angular ± 3°	Date 10/28/11	Drawing Number BH906S	