

PART NAME: HANDLE SCALE: 1:1 DATE: 4/23/85 DR. BY HD

THIS DRAWING IS THE PROPERTY OF DAVIES MOLDING COMPANY, IS SUBMITTED SOLELY AS A DESIGN OR ENGINEERING PROJECT. WE ACCEPT NO RESPONSIBILITY WHATSOEVER FOR THE PRACTICAL APPLICATION OF THE PIECES MADE TO THIS DESIGN.

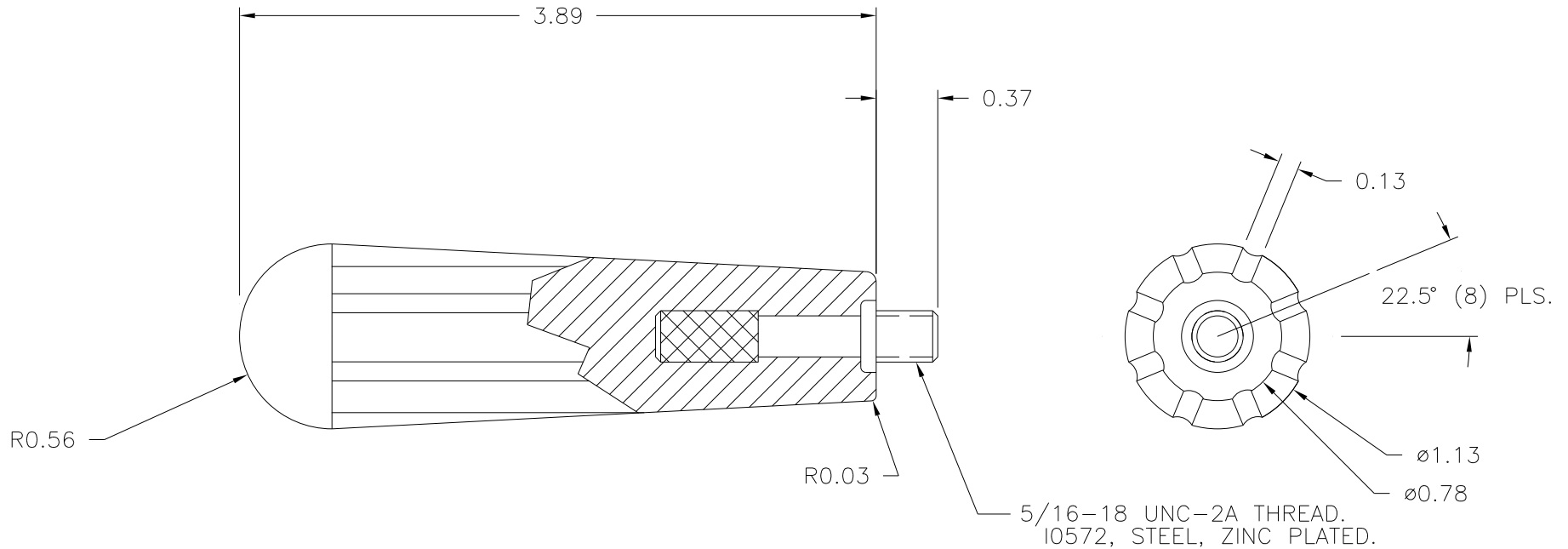


DESIGNERS & MANUFACTURERS OF KNOBS, HANDLES, CASES & CUSTOM PLASTIC COMPONENTS

P/N 0710-J

M NO. 5682-2

CAVITY	0710
PLUNGER	0710
PIN	5582-AD
INSERT	I0572



MATERIAL: G.P. PHENOLIC (B11)
COLOR: BLACK

(A)

TOLERANCES: UNLESS OTHERWISE SPECIFIED	DO NOT SCALE DRAWING	-	CORRECTED DRAWING	ST	7/21/2000
DECIMALS: X.XXX ± .005 X.XX ± .015	MM: X.XX ± 0.15MM X.X ± 0.4MM	A	ADDED NEW TOL. BLOCK	HD	8/7/96
FRACTIONS ± 1/64	ANG. ± 1°	-	CAD/REDRAWN	HD	5/21/93
CHANGES					