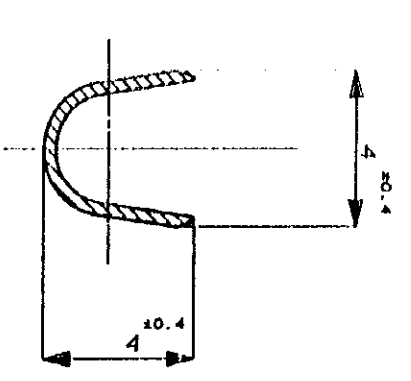
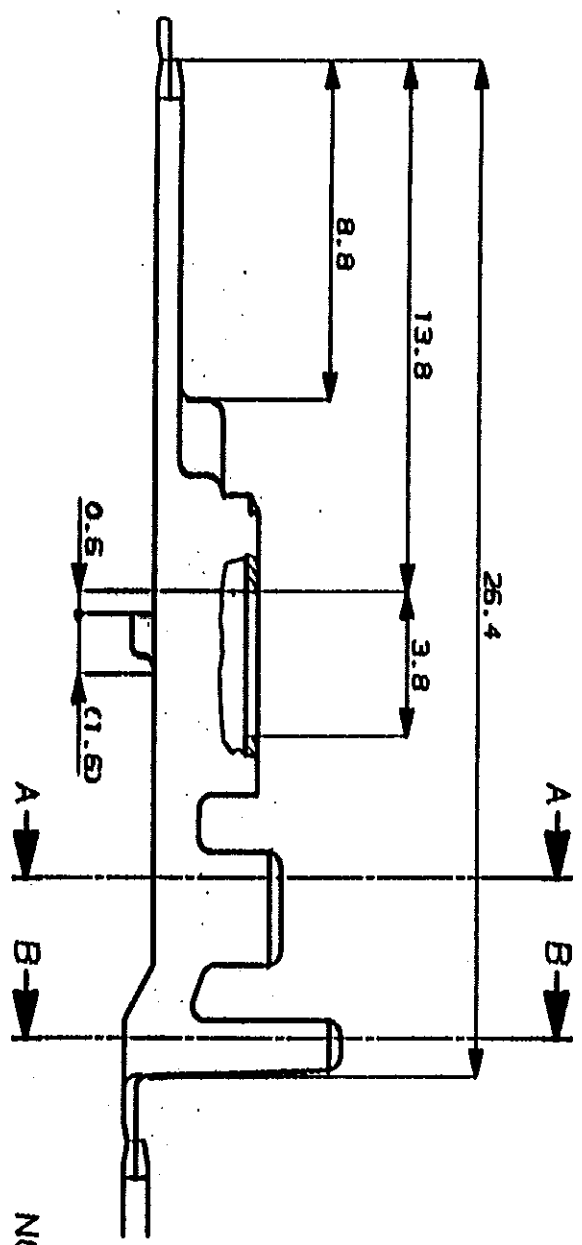


※ A-A
(SECT. A-A)



※ B-B
(SECT. B-B)



NOTES;

1. MATE TAB P/N 172775, 172776
 2. PRODUCT SPEC. No. 108-5166
 3. APPLICATION SPEC. No. 114-5072
 4. PLUG HSG P/N 172518 ETC.
- △ REVERSE REEL

注:

1. 嵌合相手リセナクフル型番 172775, 172776
 2. 製品規格 No.108-5166
 3. 取付適用規格 114-5072
 4. 相手ハウジング型番 172518 他
- △ 逆巻きリール

LTR	REVISION RECORD	DR	CHK	DATE
C	REDRAWN W/CHANGE	DR	CHK	DATE
	1-10629			

172780-1	銅メッキ済 (PRE-TIND)	黄銅 (BRASS)	△1-172779-1	4
172780-4	銅メッキ済 (PRE-TIND)	黄銅 (PHOS BRZ)	172779-4	3
172780-2	金メッキ済 (SELECTIVE GOLD)	黄銅 (BRASS)	172779-2	2
172780-1	銅メッキ済 (PRE-TIND)	黄銅 (BRASS)	172779-1	1

© 19 BY AMP (Japan) LTD.
ALL RIGHTS RESERVED.
AMP PRODUCTS COVERED BY PATENTS
AND OR PATENTS PENDING

AMP AMP (JAPAN), LTD.
Tokyo, Japan

WIRE RANGE	0.3-0.8mm (AMP-22-118)	INSULATION DIA	1.5-2.5
MATERIAL	参照	FINISH	参照
DR. H. B. Oshida 4/19/84	DE. H. B. Oshida 4/19/84	CHK. H. B. Oshida 4/19/84	APP. H. B. Oshida 4/19/84
NAME	プラグマイク (MIC) タブ II		
GENERAL TOLERANCE	0.05 ± 0.2 10 ± 0.3 30 ± 0.5 ANGLES ± 0.5°		
SIZE	C	LOC	J
NUMBER	C-172779		
SCALE	5-1		
REV.	C		
SHEET	1 OF 1		

CUSTOMER DRAWING

DEPT. AUTOS-222501 > U. MICBU. CONTACTS: S. TABE-C