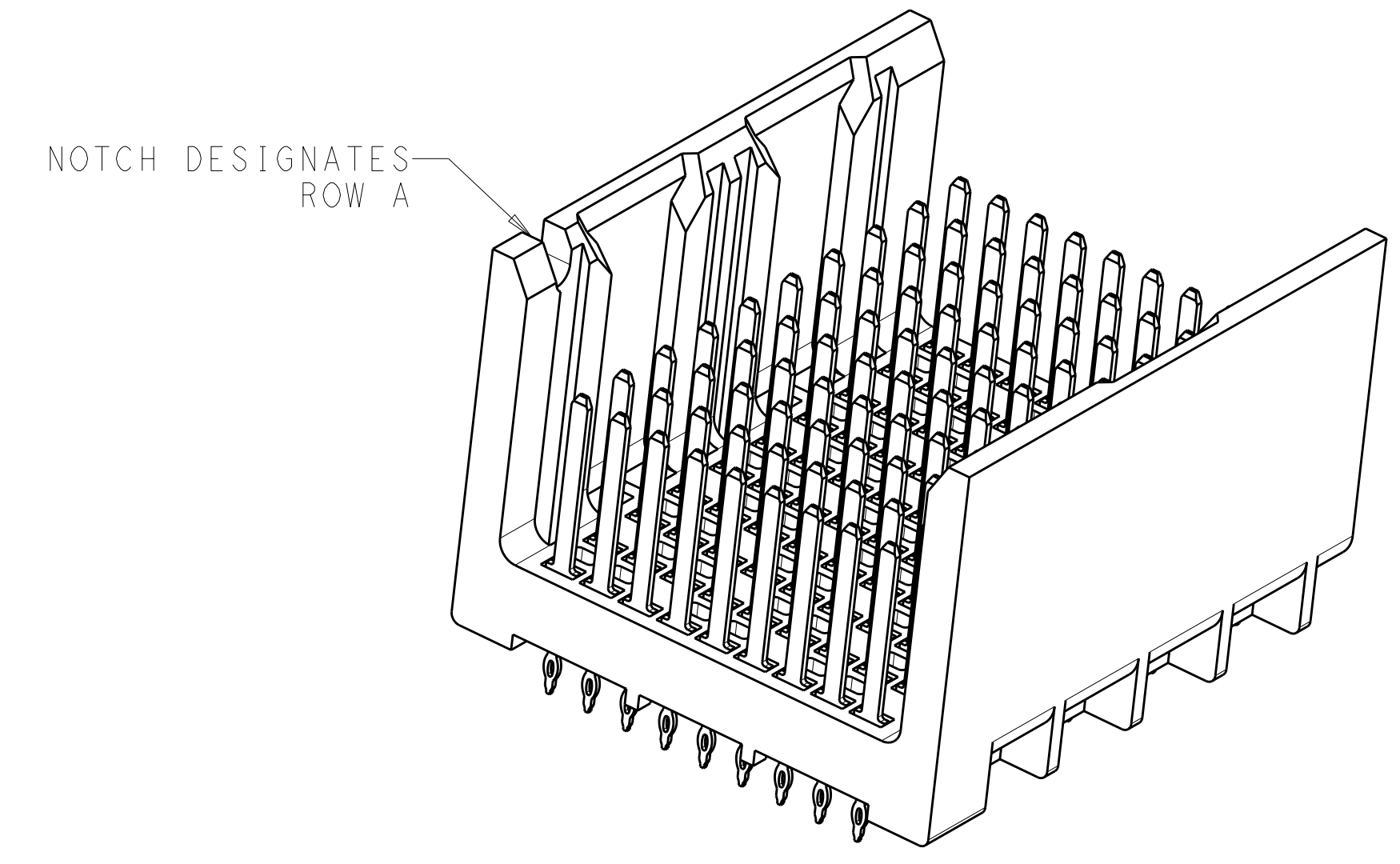
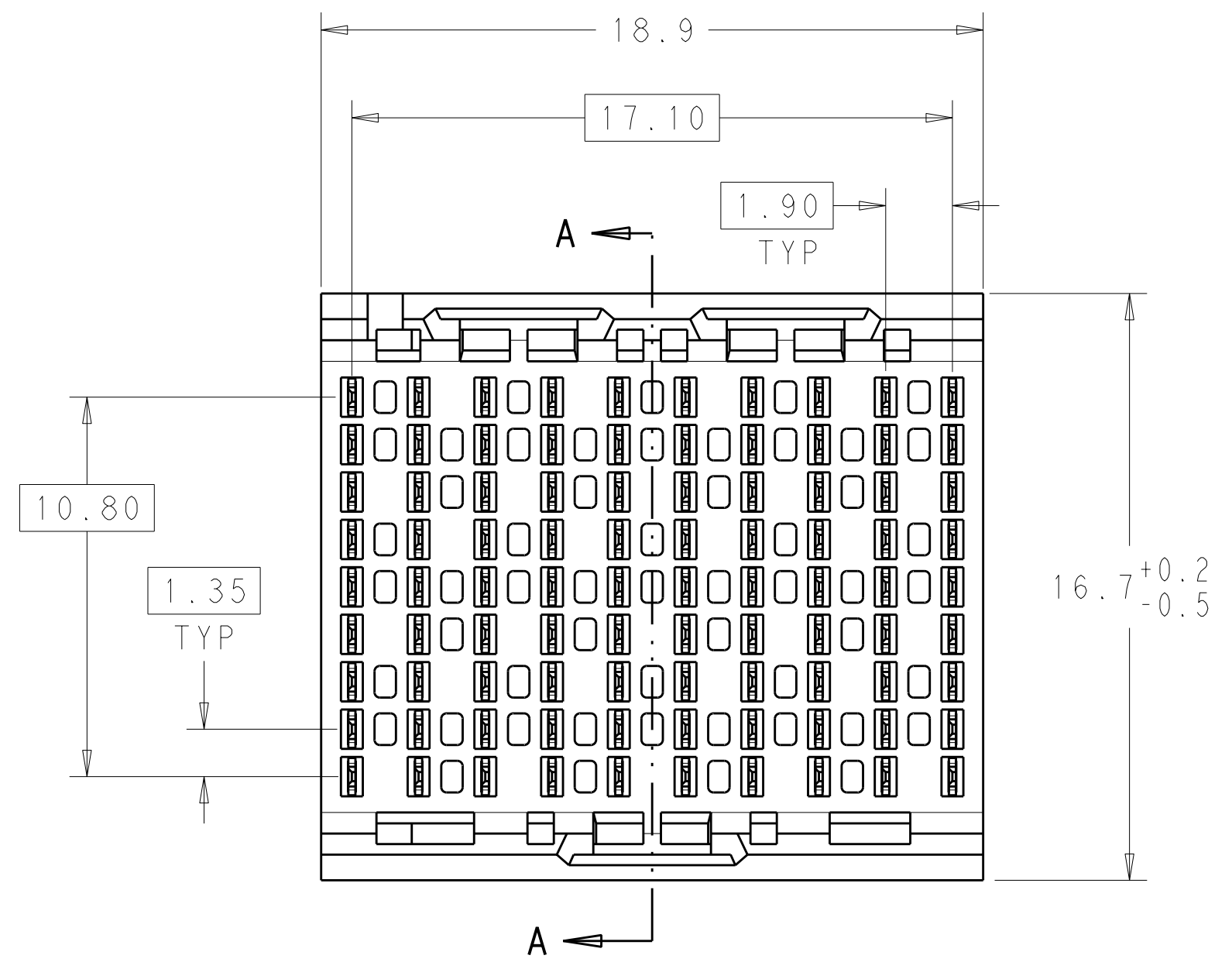
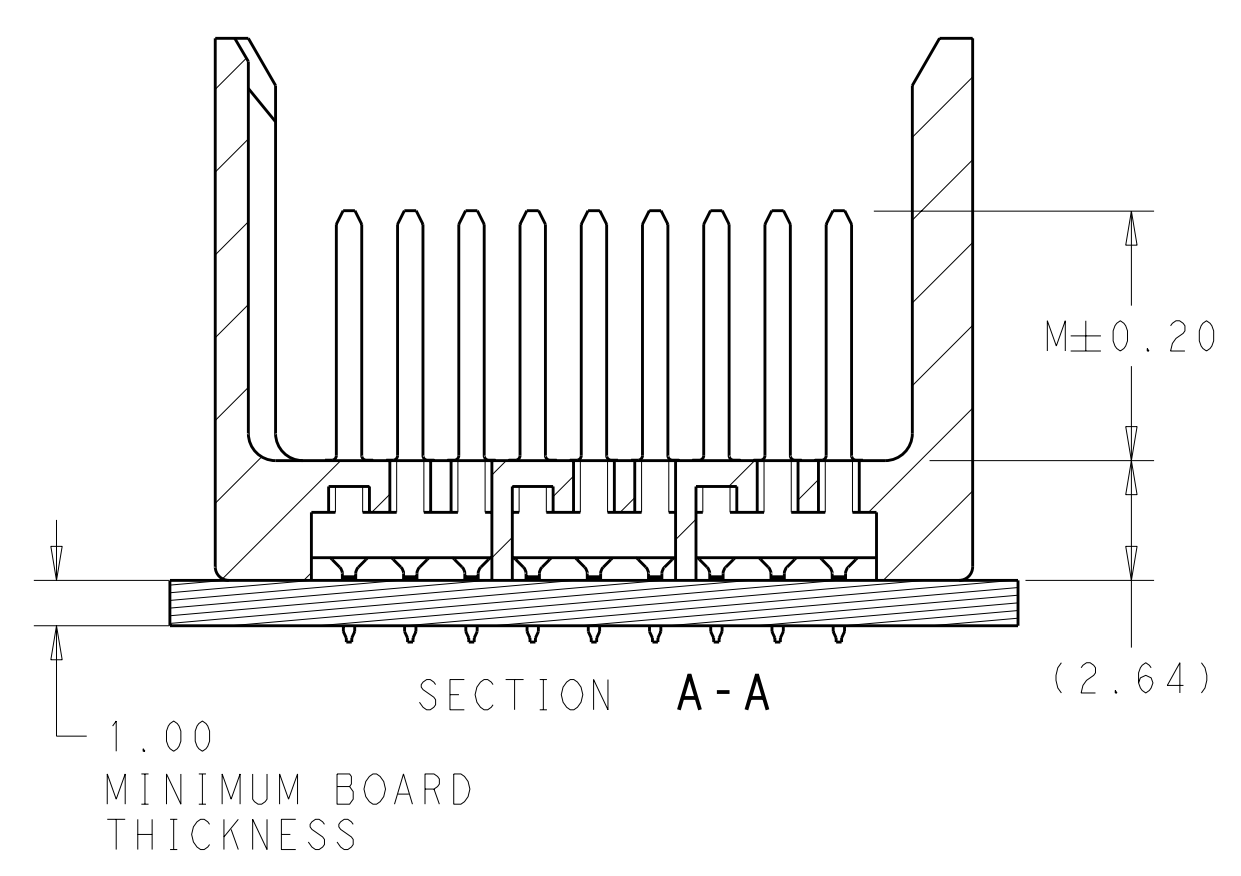
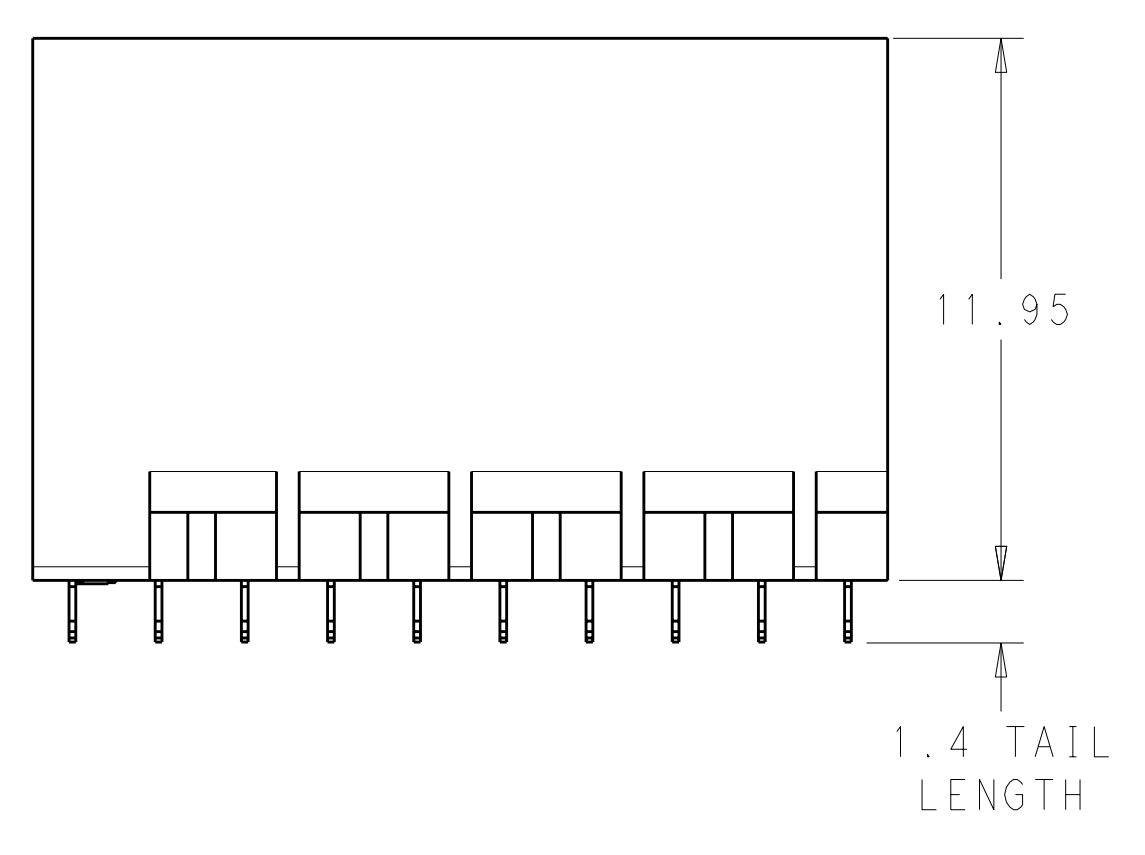
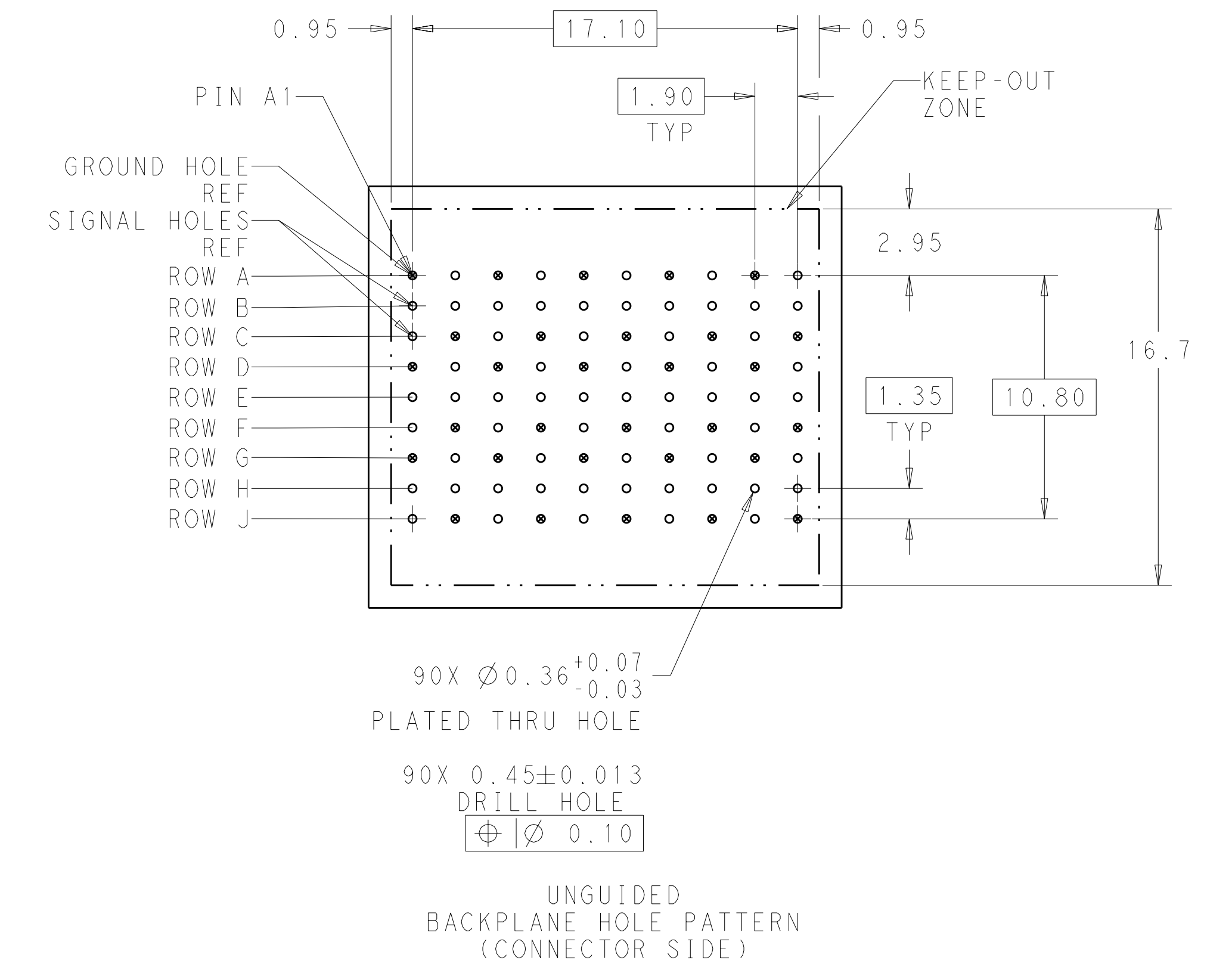


LOC		DIST		REVISIONS			
AD	00	P	LT#	DESCRIPTION	DATE	DWN	APVD
		C		REVISED PER ECO-11-025276	23DEC11	KH	DY
		D		REV PER ECO-12-002142	13FEB2012	BC	DY



- 1 MATERIAL:  
HOUSING: LCP, GLASS FILLED, UL94V-0.  
TERMINALS: HIGH PERFORMANCE COPPER ALLOY.
- 2 FINISH:  
30µ" MIN GOLD IN CONTACT AREA. SELECTIVE TIN ON PCB TAILS, NICKEL OVERALL.
- 3 FINISH:  
30µ" MIN GOLD IN CONTACT AREA. SELECTIVE TIN-LEAD ON PCB TAILS, NICKEL OVERALL.




THIS DRAWING IS A CONTROLLED DOCUMENT.		DWN J. K. SHOBER 23DEC11	TE Connectivity
DIMENSIONS: mm		CHK J. EBY 23DEC11	
TOLERANCES UNLESS OTHERWISE SPECIFIED:		APVD J. EBY 23DEC11	NAME IMPACT, 3 PAIR, 10 COLUMN, HEADER UNGUIDED, OPEN END WALL SIGNAL MODULE, 0.36 PTH
9 PLC ±	1 PLC ±0.25	PRODUCT SPEC	SIZE CAGE CODE DRAWING NO. RESTRICTED TO
5 PLC ±0.13	4 PLC ±	APPLICATION SPEC	A100779C=2007788
4 PLC ±	ANGLES ±	WEIGHT	SCALE 6:1 SHEET 1 OF 2 REV D
FINISH SEE TABLE		CUSTOMER DRAWING	

THIS DRAWING IS UNPUBLISHED. RELEASED FOR PUBLICATION 20  
 © COPYRIGHT 20 . . . ALL RIGHTS RESERVED.

LOC	DIST	REVISIONS				
AD	00	P	LTB	DATE	DWN	APVD
		-	-	SEE SHEET 1	-	-

FINISH	DIM M	PART NUMBER
$\triangle_3$	5.5	2007788-6
$\triangle_3$	4.9	2007788-5
$\triangle_3$	4.5	2007788-4
$\triangle_2$	5.5	2007788-3
$\triangle_2$	4.9	2007788-2
$\triangle_2$	4.5	2007788-1

REFER TO WWW.TE.COM  
FOR PRODUCT AVAILABILITY

THIS DRAWING IS A CONTROLLED DOCUMENT.		DWN J. K. SHOBER 23DEC11	 TE Connectivity
DIMENSIONS: mm		CHK J. EABY 23DEC11	
TOLERANCES UNLESS OTHERWISE SPECIFIED:		APVD J. EABY 23DEC11	NAME IMPACT, 3 PAIR, 10 COLUMN, HEADER
9 PLC ± .25		PRODUCT SPEC	UNGUIDED, OPEN END WALL
5 PLC ± 0.13		APPLICATION SPEC	SIGNAL MODULE, 0.36 PTH
4 PLC ± .		WEIGHT	SIZE CAGE CODE DRAWING NO RESTRICTED TO
ANGLES ± .		CUSTOMER DRAWING	A100779C=2007788
FINISH SEE TABLE		SCALE 5:1	SHEET 2 OF 2 REV D