

4

3

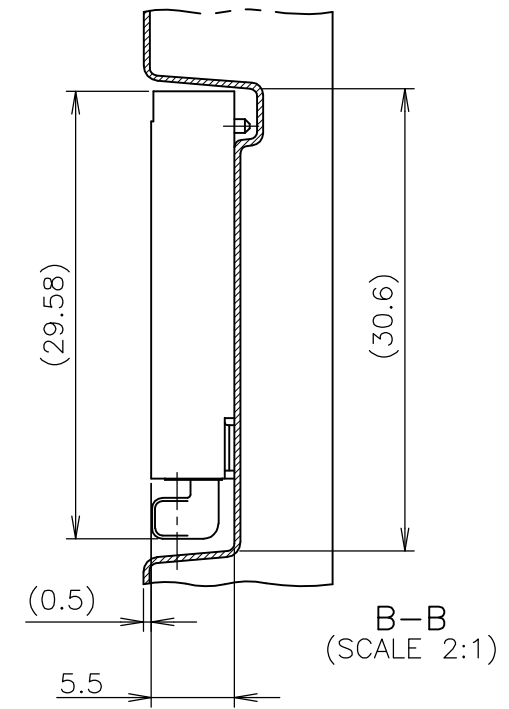
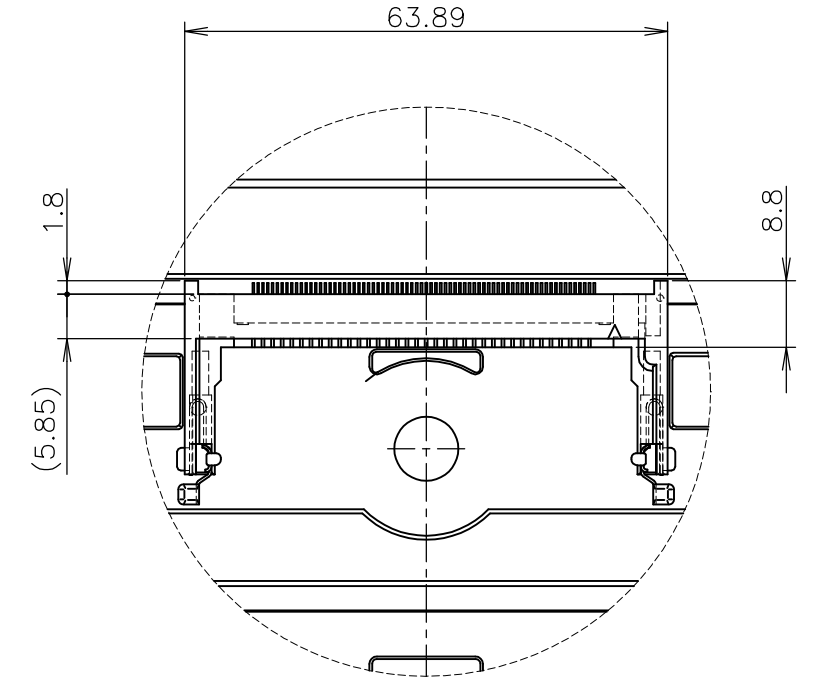
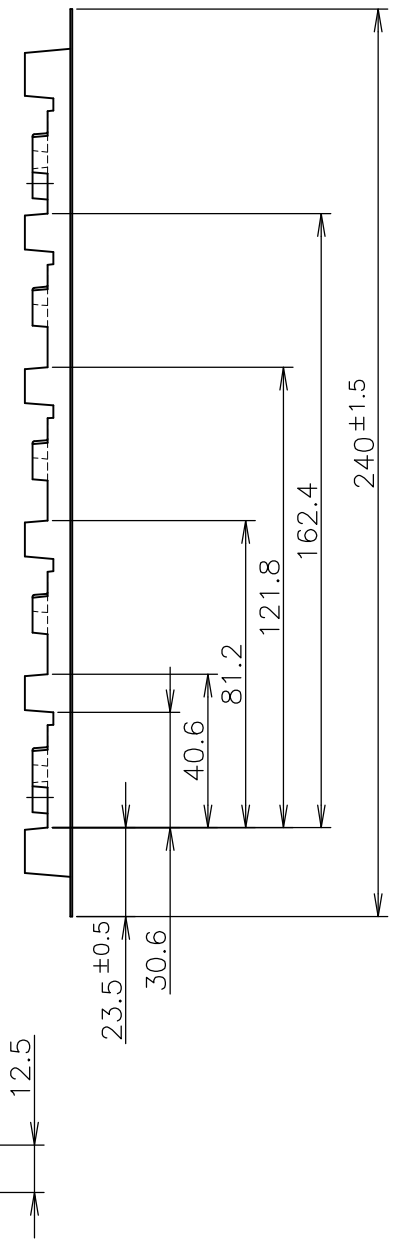
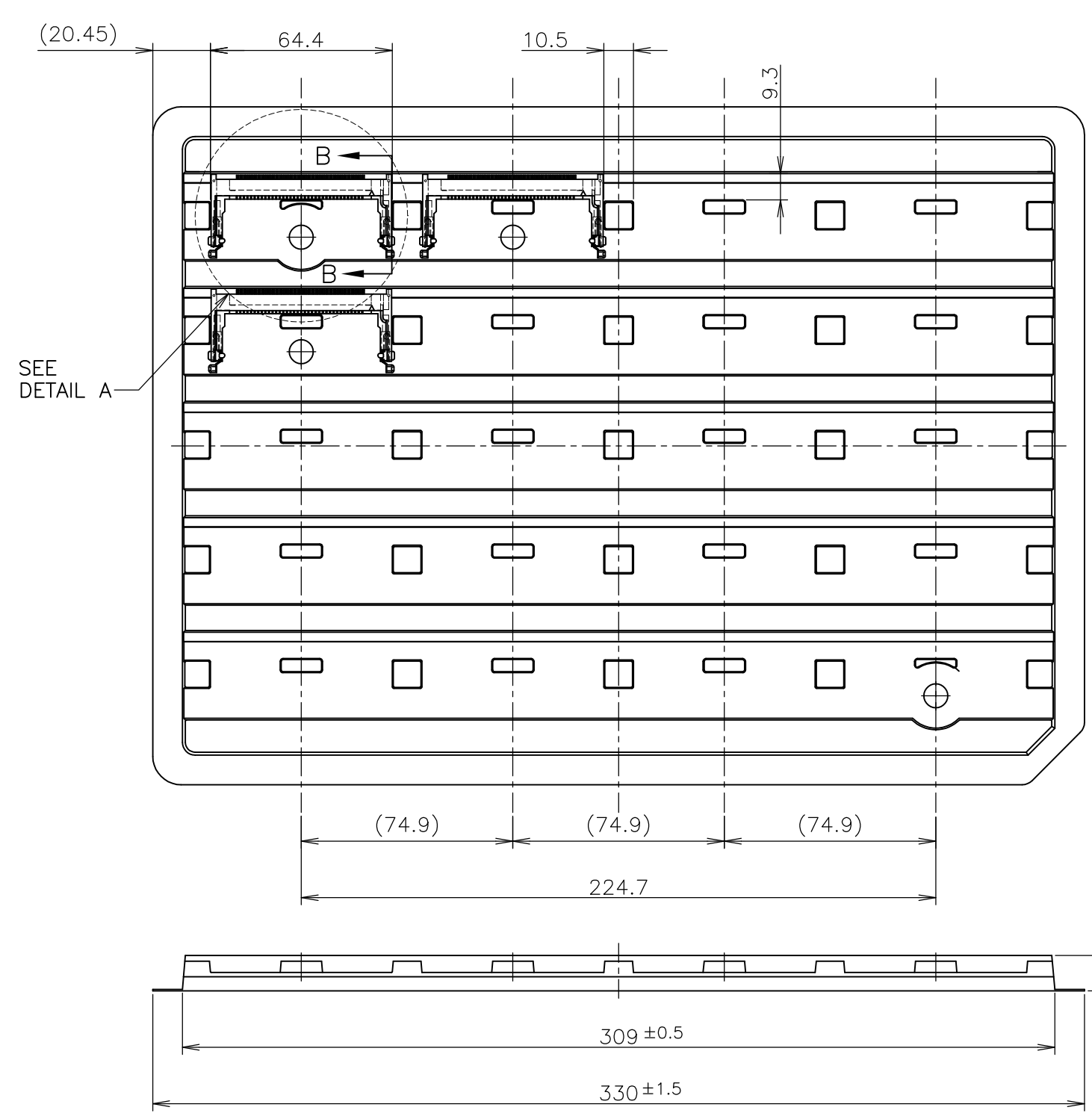
2

1

THIS DRAWING IS UNPUBLISHED. RELEASED FOR PUBLICATION SEP, 2004.
 © COPYRIGHT 2004 BY TYCO ELECTRONICS CORPORATION. ALL INTERNATIONAL RIGHTS RESERVED.

LOC	DIST	REVISIONS			DATE	DWN	APVD
J	/	P	LTR	DESCRIPTION			
		A		REVISED ECR-09-015097	05OCT09	T.T	T.M

-1: AS SHOWN



3.3V, Au PL.	20	72	5179707-1
REMARKS	QTY	POS	PART NO.

GENERAL TOLERANCE
一般公差

10 ≥ :	±0.2
30 ≥ > 10:	±0.25
100 ≥ > 30:	±0.3
ANGLES:	±3'

THIS DRAWING IS A CONTROLLED DOCUMENT.

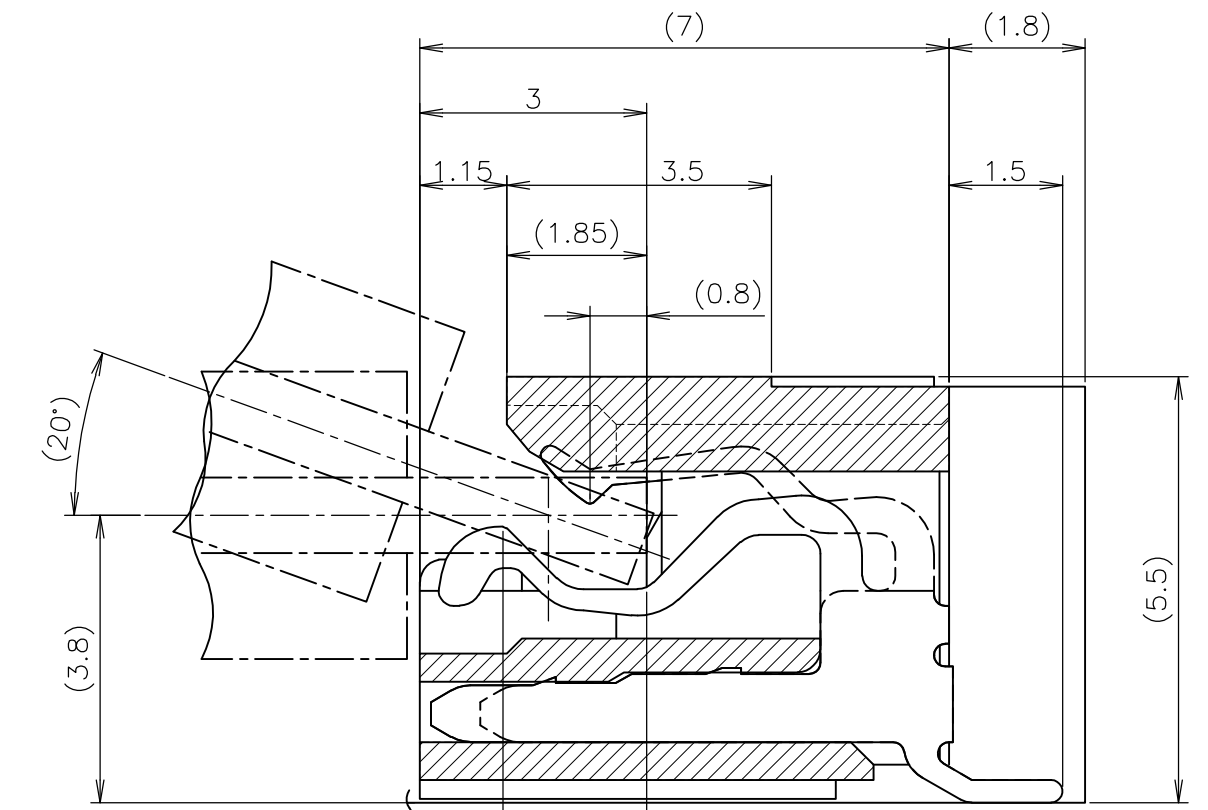
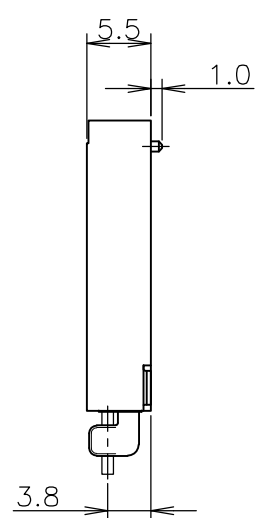
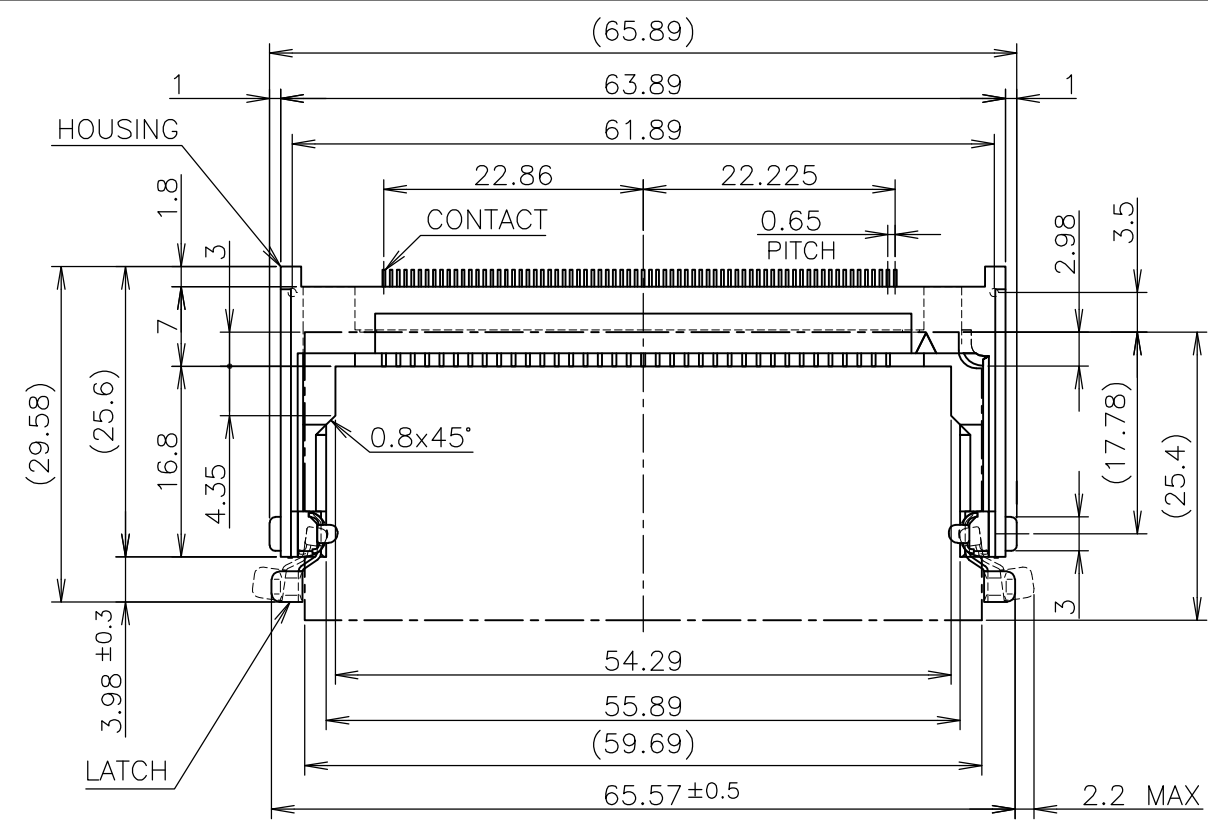
DIMENSIONS: 単位: 耗 mm	TOLERANCES UNLESS OTHERWISE SPECIFIED: 一般公差
	0 PLC ± -
	1 PLC ± -
	2 PLC ± -
	3 PLC ± -
	4 PLC ± -
	ANGLES ± -
	FINISH 仕上
MATERIAL 材料	

DWN	T.KAWAMAE	24SEP2004
CHK	I.ENOMOTO	24SEP2004
APVD	I.ENOMOTO	24SEP2004
PRODUCT SPEC	製品規格	
APPLICATION SPEC	取付適用規格	
WEIGHT		

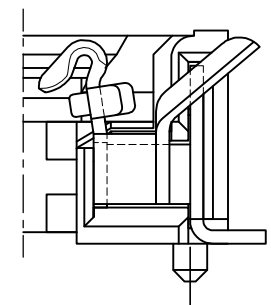
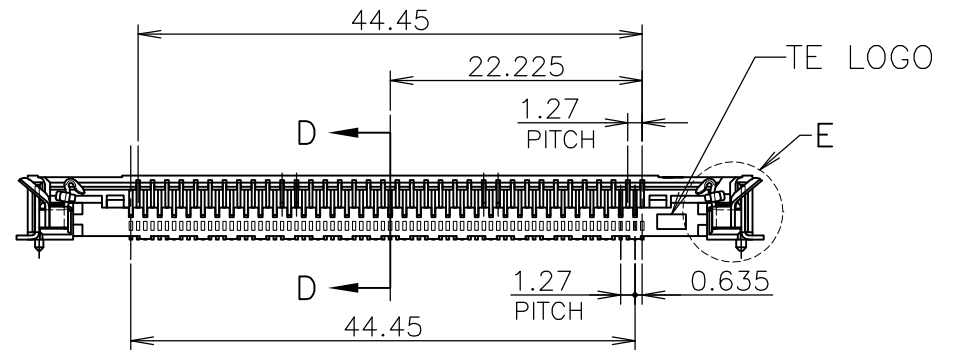
		Tyco Electronics Corporation Kawasaki, Japan	
NAME 名称		SEMI HARD TRAY ASSY MIII SOCKET 72 POS	
SIZE	CAGE CODE	DRAWING NO 番号	RESTRICTED TO
A3	00779	G-5179707	-
CUSTOMER DRAWING		SCALE 尺度 1:2	SHEET 1 OF 3
		REV A	

THIS DRAWING IS UNPUBLISHED. RELEASED FOR PUBLICATION SEP. 2004.
 © COPYRIGHT 2004 BY TYCO ELECTRONICS CORPORATION. ALL INTERNATIONAL RIGHTS RESERVED.

LOC	DIST	P	LTR	REVISIONS 変更	DATE	DWN	APVD
J	/			DESCRIPTION			
				SEE SHEET 1			

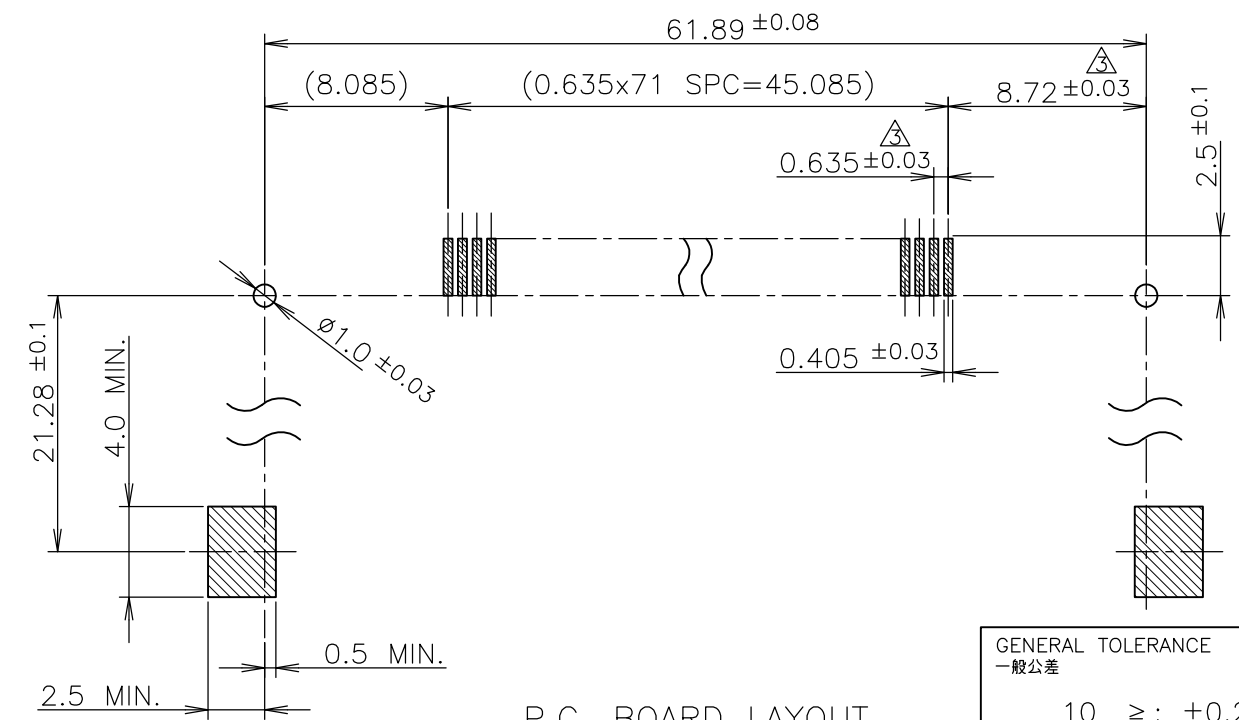


D-D
(SCALE 10:1)



DETAIL E
(SCALE 5:1)

- 1 MATERIAL & FINISH
 HOUSING: GLASS FILLED LCP, NATURAL
 CONTACT: COPPER ALLOY
 FINISH...SEE NOTES
 LATCH: COPPER ALLOY. TIN PL.
 CONTACT PLATING (Au PL. TYPE)
 Au (0.3um) PL. AT CONTACT,
 TIN PL. AT TINE OVER Ni PL.
 TOLERANCE: NON CUMULATIVE.



P.C. BOARD LAYOUT
(CONNECTOR MOUNT SIDE)

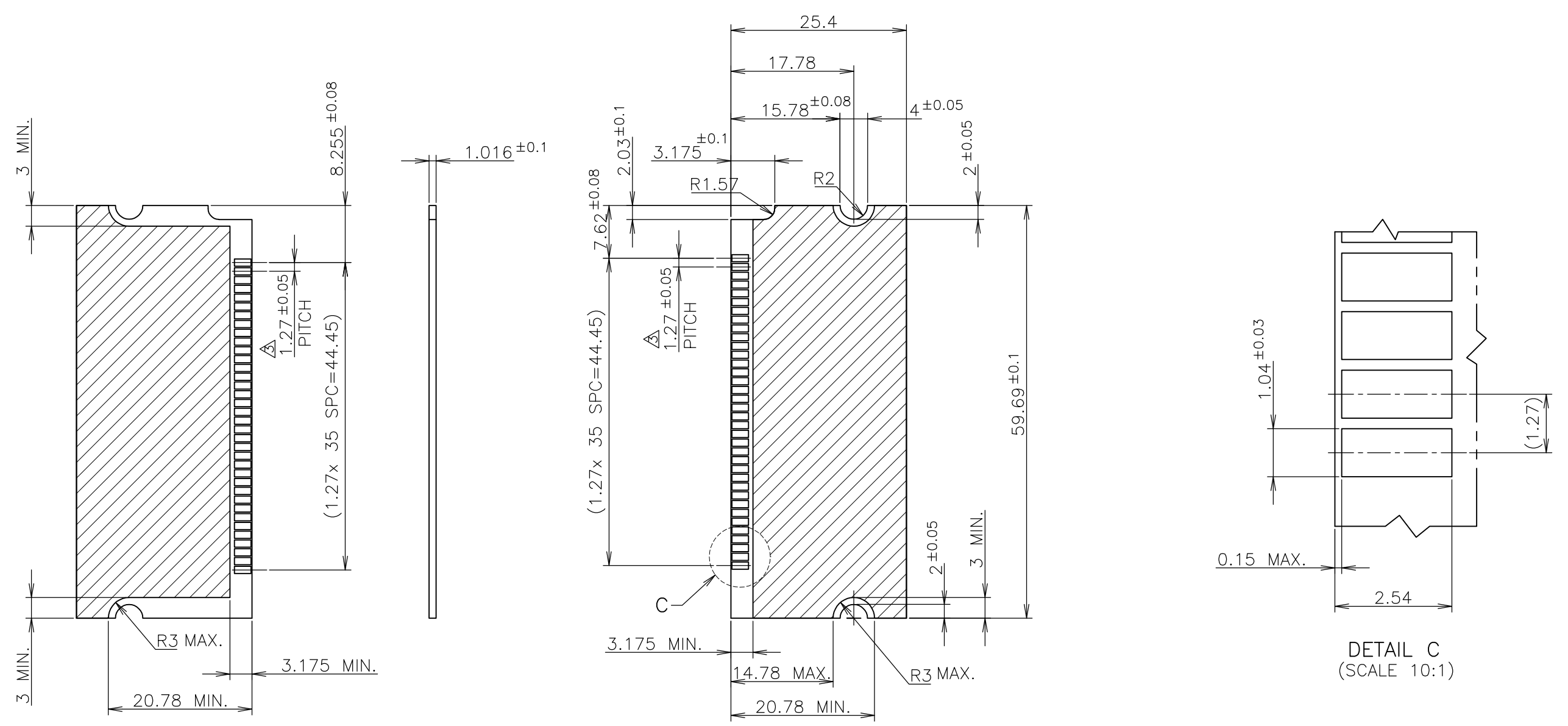
GENERAL TOLERANCE
一般公差

10 ≥	±0.2
30 ≥ > 10	±0.25
100 ≥ > 30	±0.3
ANGLES	±3°

THIS DRAWING IS A CONTROLLED DOCUMENT.		DWN		Tyco Electronics Tyco Electronics Corporation Kawasaki, Japan	
DIMENSIONS: 単位: 耗 mm		TOLERANCES UNLESS OTHERWISE SPECIFIED: 一般公差		NAME 名称 SEMI HARD TRAY ASSY MIII SOCKET 72 POS	
0 PLC ± -		1 PLC ± -		PRODUCT SPEC 製品規格 108-5403	
2 PLC ± -		3 PLC ± -		APPLICATION SPEC 取付適用規格	
4 PLC ± -		ANGLES ± -		SIZE A3	
FINISH 仕上		WEIGHT		CAGE CODE 00779	
MATERIAL 材料		CUSTOMER DRAWING		DRAWING NO 番号 G-5179707	
		SCALE 尺度 NTS		RESTRICTED TO -	
		SHEET 2 OF 3		REV A	

THIS DRAWING IS UNPUBLISHED. RELEASED FOR PUBLICATION SEP, 2004.
 © COPYRIGHT 2004 BY TYCO ELECTRONICS CORPORATION. ALL INTERNATIONAL RIGHTS RESERVED.

LOC	DIST	REVISIONS					
J	/	P	LTR	DESCRIPTION	DATE	DWN	APVD
		-		SEE SHEET 1	-	-	-



COMPONENT AREA

RECOMMENDED DIMENSIONS OF SMALL OUTLINE SIMM P.C. BOARD

THIS DRAWING IS A CONTROLLED DOCUMENT.		DWN	Tyco Electronics Corporation Kawasaki, Japan	
DIMENSIONS: 单位: 耗 mm		CHK	NAME 名称	
TOLERANCES UNLESS OTHERWISE SPECIFIED: 一般公差		APVD	SEMI HARD TRAY ASSY MIII SOCKET 72 POS	
0 PLC ± - 1 PLC ± - 2 PLC ± - 3 PLC ± - 4 PLC ± - ANGLES ± -		PRODUCT SPEC 製品規格 108-5403	SIZE	CAGE CODE
MATERIAL 材料		APPLICATION SPEC 取付適用規格	A3	00779
GENERAL TOLERANCE 一般公差 10 ≥ : ±0.2 30 ≥ > 10: ±0.25 100 ≥ > 30: ±0.3 ANGLES: ±3°		WEIGHT	DRAWING NO 番号 G-5179707	RESTRICTED TO
		CUSTOMER DRAWING	SCALE 尺度 NTS	SHEET 3 OF 3
				REV A